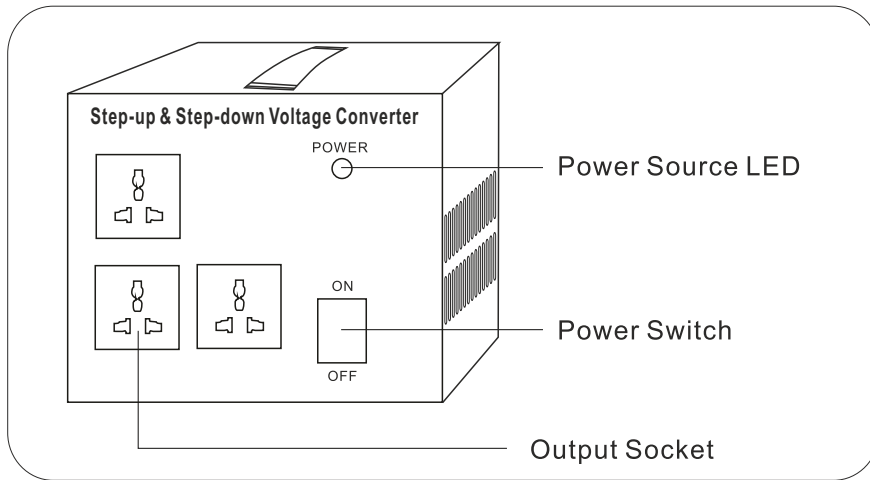


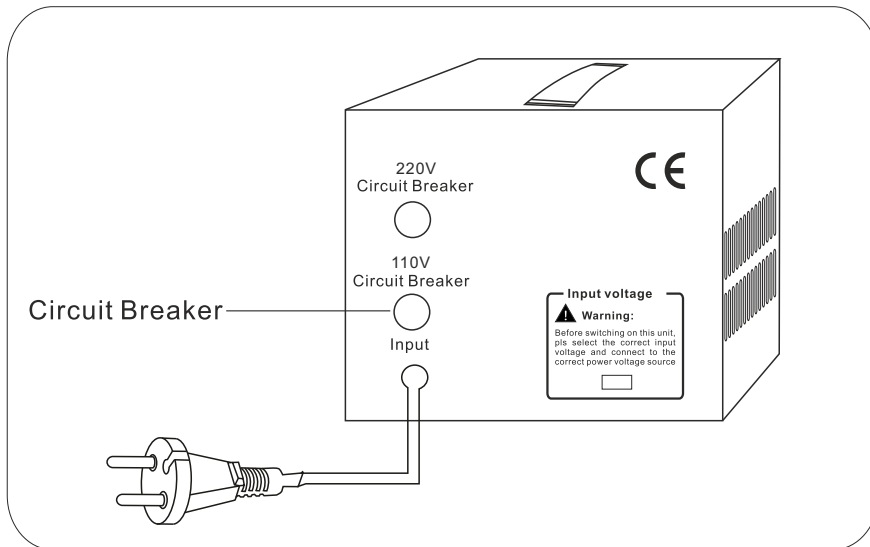
1. Instruction to the converter

Familiarize yourself with the various features and facilities by studying the two diagrams below to obtain maximum benefit from the converter.

Front of the converter



Rear of the converter



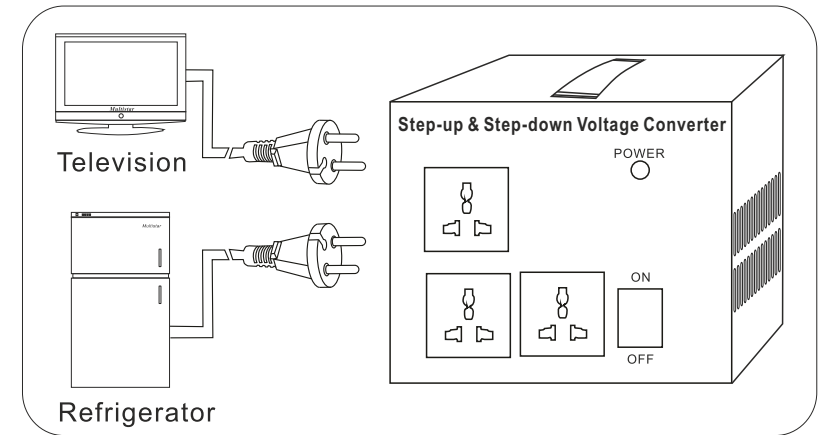
2. Connect the electrical appliances to converter

Check the wattage requirement of your equipment from the name plate and specs to determine the correct wattage and which converter to be used. If your appliances voltage rating is 110V, your main voltage must be 220V. If your appliances Voltage rating is 220V, your main voltage rating must be 110V.

*Make sure all appliances are turned "OFF".

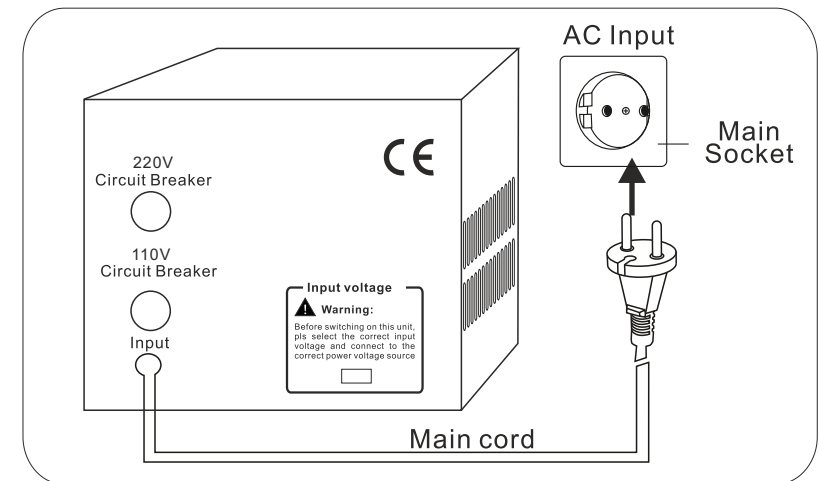
Make connections as shown in diagram below ensuring that the total starting power needed does not exceed rated maximum output power of the converter.

Select the correct input voltage according to your area mains.



3. Connect converter to electrical mains

Plug the AC mains cord to wall mains socket as shown in diagram below and switch "ON".



4. Switch on the converter

Switch the power "ON".

Press the power "ON/OFF" switch to "ON" position and LED will illuminate. Switch "ON" the appliances one by one.

Caution

Avoid overloading

Do not use the converter beyond its maximum power. When connected to any appliance with built-in motor compressor, the starting power is generally several times of the appliance's listed power rating. Make sure that the total starting power capacity of all connected appliances does not exceed the listed maximum output power of the converter. For color TV, calculate it twice as its listed capacity. Make sure that the converter is of the same output voltage and frequency as the appliances it connected. Make sure that the voltage of electrical source is the same as the input voltage of the converter.

Always place the converter in an environment that is:

- Well ventilated.
- Not exposed to direct sunlight or heat sources.
- Out of reach of children.
- Away from water moisture oil or grease.
- Away from any flammable substance.

If the power cord is damaged, it must be replaced by the authorized dealers or similarly qualified persons in order to avoid a hazard.

When Circuit breaker opens the circuit

When products are connected to the converter and when power is "ON", during that time if circuit breaker opens the circuit that means the converter is over loaded with too many appliances. Connecting too many appliances to the transformer draws too much power that cause the circuit breaker to open the circuit. If that happens, switch converter "OFF", unplug from the wall outlet then decrease the loading by unplugging the appliances from the converter.

Unplug the converter from the wall.

Press button on circuit breaker.

Wait few minutes then switch power "ON" position.

Then switch "ON" appliances one by one ensuring that their combined rated power does not exceed the rating power of the converter.

Remarks:

This model is single phase.

Waveform is sinuous and without distortion.

User's manual

Step-up & Step-down Voltage Converter

Before operating this product, please read these instructions carefully.