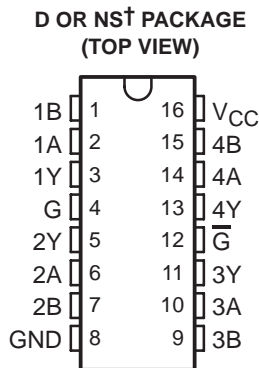


AM26LV32C, AM26LV32I

LOW-VOLTAGE HIGH-SPEED QUADRUPLE DIFFERENTIAL LINE RECEIVER

SLLS202E – MAY 1995 – REVISED JUNE 2005

- Switching Rates up to 32 MHz
- Operates From Single 3.3-V Supply
- Ultra-Low Power Dissipation . . . 27 mW Typ
- Open-Circuit, Short-Circuit, and Terminated Fail-Safe
- –0.3-V to 5.5-V Common-Mode Range With ± 200 -mV Sensitivity
- Accepts 5-V Logic Inputs With 3.3-V V_{CC}
- Input Hysteresis . . . 50 mV Typ
- 235 mW With Four Receivers at 32 MHz
- Pin-to-Pin Compatible With AM26C32, AM26LS32, and MB570



description/ordering information

The AM26LV32, BiCMOS, quadruple, differential line receiver with 3-state outputs is designed to be similar to TIA/EIA-422-B and ITU Recommendation V.11 receivers with reduced common-mode voltage range due to reduced supply voltage.

The device is optimized for balanced bus transmission at switching rates up to 32 MHz. The enable function is common to all four receivers and offers a choice of active-high or active-low inputs. The 3-state outputs permit connection directly to a bus-organized system. Each device features receiver high input impedance and input hysteresis for increased noise immunity, and input sensitivity of ± 200 mV over a common-mode input voltage range from –0.3 V to 5.5 V. When the inputs are open circuited, the outputs are in the high logic state. This device is designed using the Texas Instruments (TI™) proprietary LinIMPACT-C60™ technology, facilitating ultra-low power consumption without sacrificing speed.

This device offers optimum performance when used with the AM26LV31 quadruple line drivers.

The AM26LV32C is characterized for operation from 0°C to 70°C. The AM26LV32I is characterized for operation from –45°C to 85°C.

ORDERING INFORMATION

| T _A | PACKAGE [†] | | ORDERABLE PART NUMBER | TOP-SIDE MARKING |
|----------------|----------------------|---------------|-----------------------|------------------|
| 0°C to 70°C | D | Tape and reel | AM26LV32CDG4 | AM26LV32C |
| | | | AM26LV32CDR | |
| | | | AM26LV32CDRG4 | |
| | NS | Tube | AM26LV32CNS | 26LV32 |
| AM26LV32CNSR | | | | |
| –40°C to 85°C | SOP – D | Tube | AM26LV32ID | AM26LV32I |
| | | | AM26LV32IDR | |
| | SOP – NS | Tube | AM26LV32INS | 26LV32I |
| | | | AM26LV32INSR | |

[†] Package drawings, standard packing quantities, thermal data, symbolization, and PCB design guidelines are available at www.ti.com/sc/package.



Please be aware that an important notice concerning availability, standard warranty, and use in critical applications of Texas Instruments semiconductor products and disclaimers thereto appears at the end of this data sheet.

LinIMPACT-C60 and TI are trademarks of Texas Instruments.

PRODUCTION DATA information is current as of publication date. Products conform to specifications per the terms of Texas Instruments standard warranty. Production processing does not necessarily include testing of all parameters.



POST OFFICE BOX 655303 • DALLAS, TEXAS 75265

Copyright © 2005, Texas Instruments Incorporated

AM26LV32C, AM26LV32I LOW-VOLTAGE HIGH-SPEED QUADRUPLE DIFFERENTIAL LINE RECEIVER

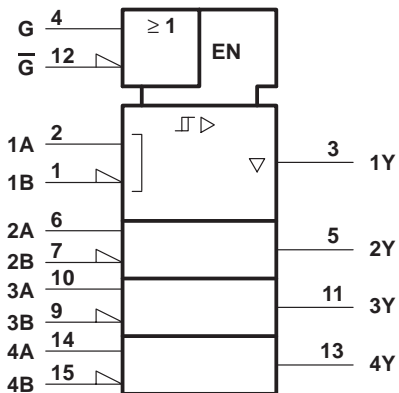
SLLS202E – MAY 1995 – REVISED JUNE 2005

FUNCTION TABLE
(each receiver)

| DIFFERENTIAL INPUT | ENABLES | | OUTPUT |
|-------------------------------|---------|----------------|--------|
| | G | \overline{G} | |
| $V_{ID} \geq 0.2 V$ | H X | X L | H H |
| $-0.2 V < V_{ID} < 0.2 V$ | H X | X L | ? ? |
| $V_{ID} \leq -0.2 V$ | H X | X L | L L |
| Open, shorted, or terminated† | H X | X L | H H |
| X | L | H | Z |

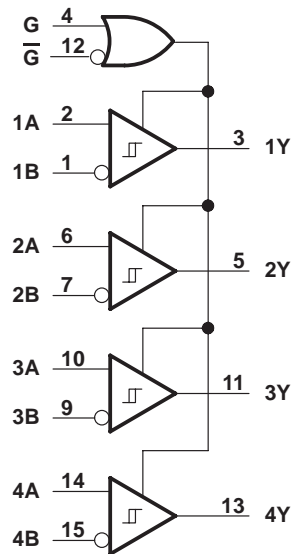
H = high level, L = low level, X = irrelevant,
Z = high impedance (off), ? = indeterminate
† See application information attached.

logic symbol‡



‡ This symbol is in accordance with ANSI/IEEE Std 91-1984 and IEC Publication 617-12.

logic diagram (positive logic)

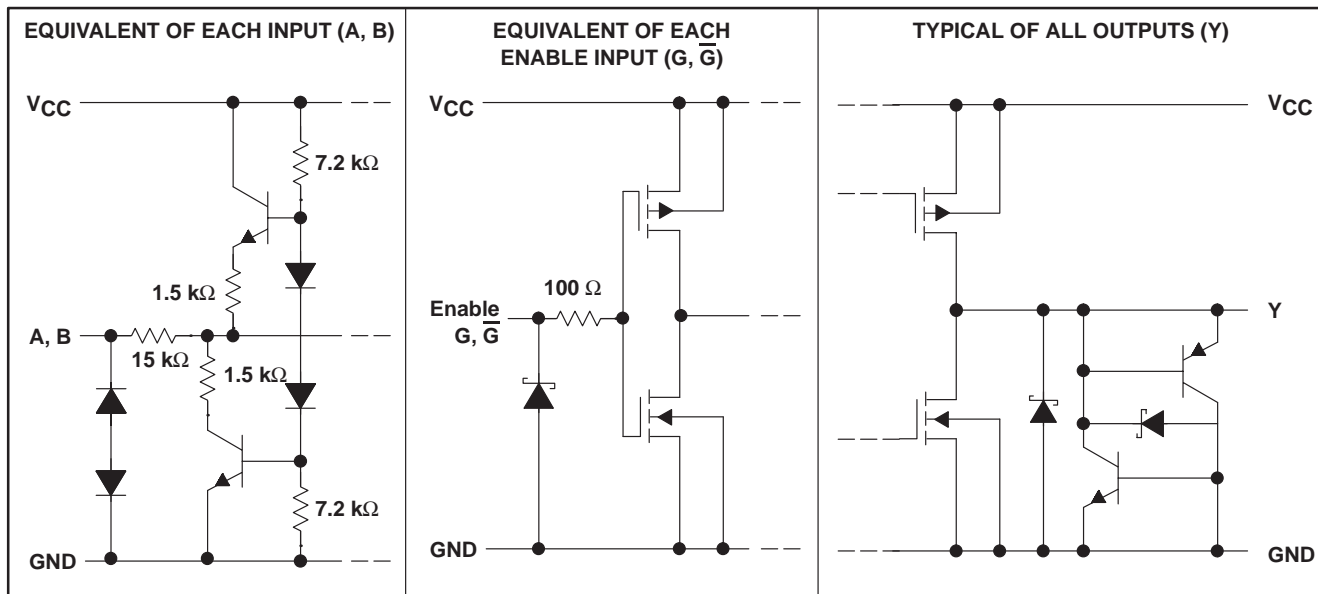


AM26LV32C, AM26LV32I

LOW-VOLTAGE HIGH-SPEED QUADRUPLE DIFFERENTIAL LINE RECEIVER

SLLS202E – MAY 1995 – REVISED JUNE 2005

schematics of equivalent inputs and outputs



absolute maximum ratings over operating free-air temperature range (unless otherwise noted)†

| | |
|--|----------------|
| Supply voltage range, V_{CC} (see Note 1) | –0.3 V to 6 V |
| Input voltage range, V_I (A or B inputs) | –4 V to 8 V |
| Differential input voltage, V_{ID} (see Note 2) | ± 12 V |
| Enable input voltage range | –0.3 V to 6 V |
| Output voltage range, V_O | –0.3 V to 6 V |
| Maximum output current, I_O | ± 25 mA |
| Package thermal impedance, θ_{JA} (see Note 3): D package | 73°C/W |
| NS package | 64°C/W |
| Lead temperature 1,6 mm (1/16 inch) from case for 10 seconds | 260°C |
| Storage temperature range, T_{stg} | –65°C to 150°C |

† Stresses beyond those listed under “absolute maximum ratings” may cause permanent damage to the device. These are stress ratings only, and functional operation of the device at these or any other conditions beyond those indicated under “recommended operating conditions” is not implied. Exposure to absolute-maximum-rated conditions for extended periods may affect device reliability.

- NOTES: 1. All voltage values are with respect to the GND terminal.
 2. Differential input voltage is measured at the noninverting input with respect to the corresponding inverting input.
 3. The package thermal impedance is calculated in accordance with JESD 51.

recommended operating conditions

| | MIN | NOM | MAX | UNIT |
|--|-----------|-----|-----------|------|
| Supply voltage, V_{CC} | 3 | 3.3 | 3.6 | V |
| High-level input voltage, $V_{IH}(EN)$ | 2 | | | V |
| Low-level input voltage, $V_{IL}(EN)$ | | | 0.8 | V |
| Common-mode input voltage, V_{IC} | –0.3 | | 5.5 | V |
| Differential input voltage, V_{ID} | | | ± 5.8 | |
| High-level output current, I_{OH} | | | –5 | mA |
| Low-level output current, I_{OL} | | | 5 | mA |
| Operating free-air temperature, T_A | AM26LV32C | 0 | 70 | °C |
| | AM26LV32I | –40 | 85 | |



AM26LV32C, AM26LV32I

LOW-VOLTAGE HIGH-SPEED QUADRUPLE DIFFERENTIAL LINE RECEIVER

SLLS202E – MAY 1995 – REVISED JUNE 2005

electrical characteristics over recommended supply-voltage and operating free-air temperature ranges (unless otherwise noted)

| PARAMETER | TEST CONDITIONS | MIN | TYP† | MAX | UNIT |
|--------------------|---|---|------|------|------|
| V _{IT+} | Differential input high-threshold voltage | | | 0.2 | V |
| V _{IT-} | Differential input low-threshold voltage | -0.2 | | | V |
| V _{IK} | Enable input clamp voltage | I _I = -18 mA | -0.8 | -1.5 | V |
| V _{OH} | High-level output voltage | V _{ID} = 200 mV, I _{OH} = -5 mA | 2.4 | 3.2 | V |
| V _{OL} | Low-level output voltage | V _{ID} = -200 mV, I _{OL} = 5 mA | 0.17 | 0.5 | V |
| I _{OZ} | High-impedance-state output current | V _O = 0 to V _{CC} | | ±50 | μA |
| I _{IH(E)} | High-level enable input current | V _{CC} = 0 or 3 V, V _I = 5.5 V | | 10 | μA |
| I _{IL(E)} | Low-level enable input current | V _{CC} = 3.6 V, V _I = 0 V | | -10 | |
| r _I | Input resistance | | 7 | 12 | kΩ |
| I _I | Input current | V _I = 5.5 V or -0.3 V, All other inputs GND | | ±700 | μA |
| I _{CC} | Supply current | V _{I(E)} = V _{CC} or GND, No load, line inputs open | 8 | 17 | mA |
| C _{pd} | Power dissipation capacitance‡ | One channel | 150 | | pF |

† All typical values are at V_{CC} = 3.3 V and T_A = 25°C.

‡ C_{pd} determines the no-load dynamic current: I_S = C_{pd} × V_{CC} × f + I_{CC}.

switching characteristics, V_{CC} = 3.3 V, T_A = 25°C

| PARAMETER | TEST CONDITIONS | MIN | TYP | MAX | UNIT |
|-----------------------|--|-----|-----|-----|------|
| t _{PLH} | Propagation delay time, low- to high-level output | 8 | 16 | 20 | ns |
| t _{PHL} | Propagation delay time, high- to low-level output | | | | |
| t _t | Transistion time (t _r or t _f) | | 5 | | ns |
| t _{PZH} | Output-enable time to high level | | 17 | 40 | ns |
| t _{PZL} | Output-enable time to low level | | 10 | 40 | ns |
| t _{PHZ} | Output-disable time from high level | | 20 | 40 | ns |
| t _{PLZ} | Output-disable time from low level | | 16 | 40 | ns |
| t _{sk(p)} § | Pulse skew | | 4 | 6 | ns |
| t _{sk(o)} ¶ | Pulse skew | | 4 | 6 | ns |
| t _{sk(pp)} # | Pulse skew (device to device) | | 6 | 9 | ns |

§ t_{sk(p)} is |t_{PLH} - t_{PHL}| of each channel of the same device.

¶ t_{sk(o)} is the maximum difference in propagation delay times between any two channels of the same device switching in the same direction.

t_{sk(pp)} is the maximum difference in propagation delay times between any two channels of any two devices switching in the same direction.

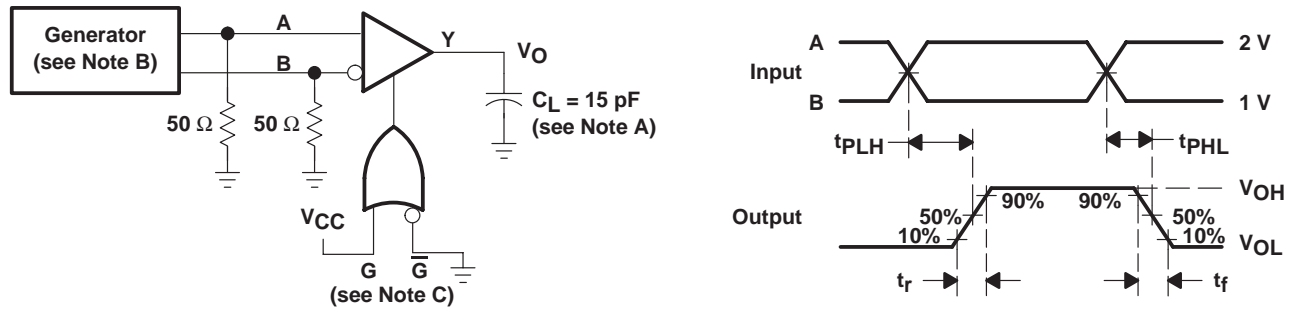


AM26LV32C, AM26LV32I

LOW-VOLTAGE HIGH-SPEED QUADRUPLE DIFFERENTIAL LINE RECEIVER

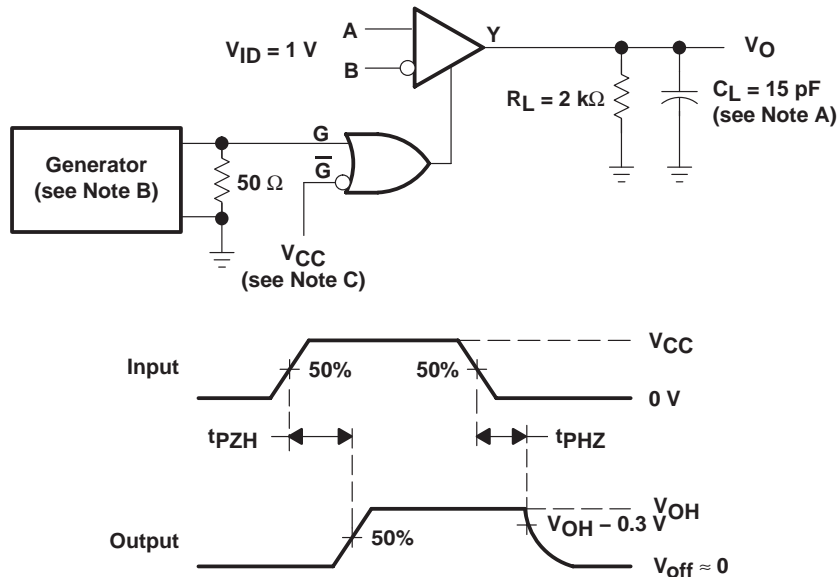
SLLS202E – MAY 1995 – REVISED JUNE 2005

PARAMETER MEASUREMENT INFORMATION



- NOTES: A. C_L includes probe and jig capacitance.
 B. The input pulse is supplied by a generator having the following characteristics: $Z_O = 50 \Omega$, PRR = 10 MHz, t_r and t_f (10% to 90%) ≤ 2 ns, 50% duty cycle.
 C. To test the active-low enable \bar{G} , ground G and apply an inverted waveform \bar{G} .

Figure 1. t_{PLH} and t_{PHL} Test Circuit and Voltage Waveforms



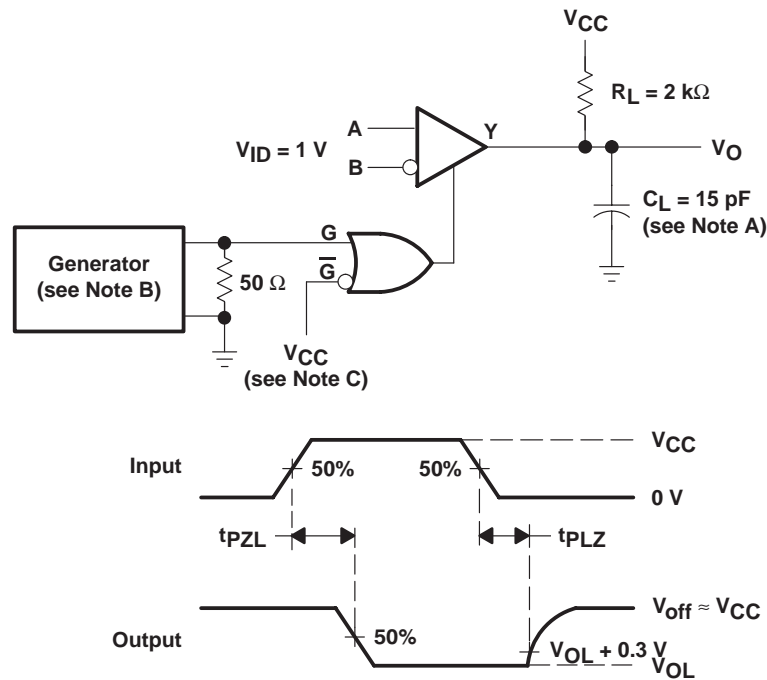
- NOTES: A. C_L includes probe and jig capacitance.
 B. The input pulse is supplied by a generator having the following characteristics: $Z_O = 50 \Omega$, PRR = 10 MHz, t_r and t_f (10% to 90%) ≤ 2 ns, 50% duty cycle.
 C. To test the active-low enable \bar{G} , ground G and apply an inverted waveform \bar{G} .

Figure 2. t_{PZH} and t_{PHZ} Test Circuit and Voltage Waveforms

AM26LV32C, AM26LV32I LOW-VOLTAGE HIGH-SPEED QUADRUPLE DIFFERENTIAL LINE RECEIVER

SLLS202E – MAY 1995 – REVISED JUNE 2005

PARAMETER MEASUREMENT INFORMATION



- NOTES: A. C_L includes probe and jig capacitance.
 B. The input pulse is supplied by a generator having the following characteristics: $Z_O = 50\ \Omega$, PRR = 10 MHz, t_r and t_f (10% to 90%) $\leq 2\text{ ns}$, 50% duty cycle.
 C. To test the active-low enable \bar{G} , ground G and apply an inverted waveform \bar{G} .

Figure 3. t_{pZL} and t_{pLZ} Test Circuit and Voltage Waveforms

APPLICATION INFORMATION

fail-safe conditions

The AM26LV32 quadruple differential line receiver is designed to function properly when appropriately connected to active drivers. Applications do not always have ideal situations where all bits are being used, the receiver inputs are never left floating, and fault conditions don't exist. In actuality, most applications have the capability to either place the drivers in a high-impedance mode or power down the drivers altogether, and cables may be purposely (or inadvertently) disconnected, both of which lead to floating receiver inputs. Furthermore, even though measures are taken to avoid fault conditions like a short between the differential signals, this does occur. The AM26LV32 has an internal fail-safe circuitry which prevents the device from putting an unknown voltage signal at the receiver outputs. In the following three cases, a high-state is produced at the respective output:

1. Open fail-safe – Unused input pins are left open. Do not tie unused pins to ground or any other voltage. Internal circuitry places the output in the high state.
2. 100-ohm terminated fail-safe – Disconnected cables, drivers in high-impedance state, or powered-down drivers will not cause the AM26LV32 to malfunction. The outputs will remain in a high state under these conditions. When the drivers are either turned-off or placed into the high-impedance state, the receiver input may still be able to pick up noise due to the cable acting as an antenna. To avoid having a large differential voltage being generated, the use of twisted-pair cable will induce the noise as a common-mode signal and will be rejected.
3. Shorted fail-safe – Fault conditions that short the differential input pairs together will not cause incorrect data at the outputs. A differential voltage (V_{ID}) of 0 V will force a high state at the outputs. Shorted fail-safe, however, is not supported across the recommended common-mode input voltage (V_{IC}) range. An unwanted state can be induced to all outputs when an input is shorted and is biased with a voltage between -0.3 V and 5.5 V. The shorted fail-safe circuitry will function properly when an input is shorted, but with no external common-mode voltage applied.

fail-safe precautions

The internal fail-safe circuitry was designed such that the input common-mode (V_{IC}) and differential (V_{ID}) voltages must be observed. In order to ensure the outputs of unused or inactive receivers remain in a high state when the inputs are open-circuited, shorted, or terminated, extra precaution must be taken on the active signal. In applications where the drivers are placed in a high-impedance mode or are powered-down, it is recommended that for 1, 2, or 3 active receiver inputs, the low-level input voltage (V_{IL}) should be greater than 0.4 V. As in all data transmission applications, it is necessary to provide a return ground path between the two remote grounds (driver and receiver ground references) to avoid ground differences. Table 1 and Figures 4 through 7 are examples of active input voltages with their respective waveforms and the effect each have on unused or inactive outputs. Note that the active receivers behave as expected, regardless of the input levels.

AM26LV32C, AM26LV32I

LOW-VOLTAGE HIGH-SPEED QUADRUPLE DIFFERENTIAL LINE RECEIVER

SLLS202E – MAY 1995 – REVISED JUNE 2005

APPLICATION INFORMATION

Table 1. Active Receiver Inputs vs Outputs

| 1, 2, OR 3 ACTIVE INPUTS | | | SEE FIGURE | 1, 2, OR 3 ACTIVE OUTPUTS | 3, 2, OR 1 UNUSED OR INACTIVE OUTPUTS |
|--------------------------|----------|------------------|------------|---------------------------|---------------------------------------|
| V_{IL}^\dagger | V_{ID} | V_{IC}^\dagger | | | |
| 900 mV | 200 mV | 1 V | 4 | Known state | High state |
| -100 mV | 200 mV | 0 V | 5 | Known state | ? |
| 600 mV | 800 mV | 1 V | 6 | Known state | High state |
| 0 | 800 mV | 400 mV | 7 | Known state | ? |

[†] Measured with respect to ground.

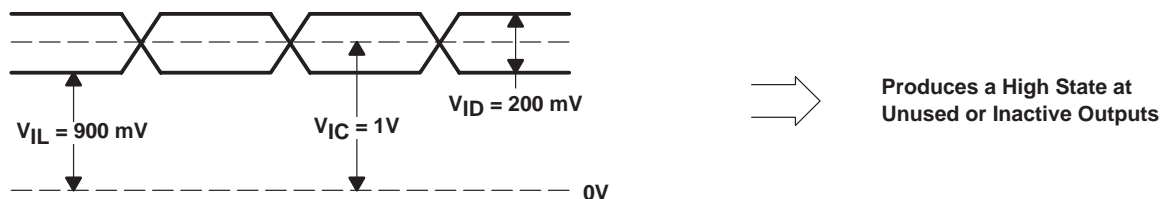


Figure 4. Waveform One

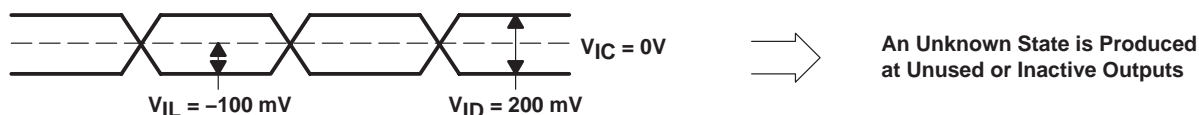


Figure 5. Waveform Two

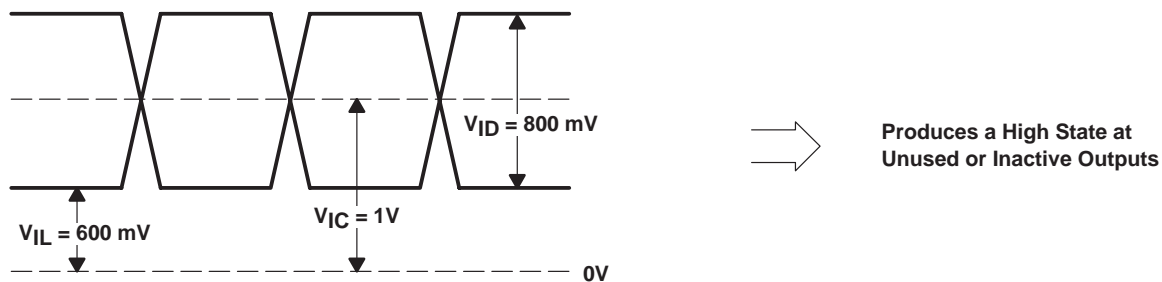


Figure 6. Waveform Three

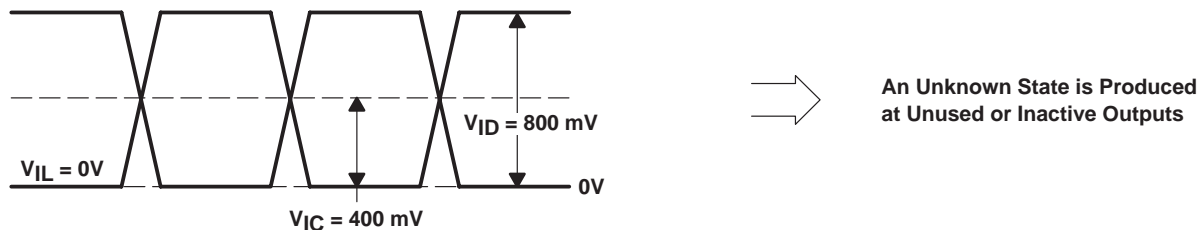


Figure 7. Waveform Four

AM26LV32C, AM26LV32I

LOW-VOLTAGE HIGH-SPEED QUADRUPLE DIFFERENTIAL LINE RECEIVER

SLLS202E – MAY 1995 – REVISED JUNE 2005

APPLICATION INFORMATION

In most applications, it is not customary to have a common-mode input close to ground and to have a differential voltage larger than 2 V. Since the common-mode input voltage is typically around 1.5 V, a 2-V V_{ID} would result in a V_{IL} of 0.5 V, thus satisfying the recommended V_{IL} level of greater than 0.4 V.

Figure 8 plots seven different input threshold curves from a variety of production lots and shows how the fail-safe circuitry behaves with the input common-mode voltage levels. These input threshold curves are representative samples of production devices. The curves specifically illustrate a typical range of input threshold variation. The AM26LV32 is specified with ± 200 mV of input sensitivity to account for the variance in input threshold. Each data point represents the input's ability to produce a known state at the output for a given V_{IC} and V_{ID} . Applying a differential voltage at or above a certain point on a curve would produce a known state at the output. Applying a differential voltage less than a certain point on a curve would activate the fail-safe circuit and the output would be in a high state. For example, inspecting the top input threshold curve reveals that for a $V_{IC} = 1.6$ V, V_{ID} yields around 87 mV. Applying 90 mV of differential voltage to this particular production lot generates a known receiver output voltage. Applying a V_{ID} of 80 mV activates the input fail-safe circuitry and the receiver output is placed in the high state. Texas Instruments specifies the input threshold at ± 200 mV, since normal process variations affect this parameter. Note that at common-mode input voltages around 0.2 V, the input differential voltages are low compared to their respective data points. This phenomenon points to the fact that the inputs are very sensitive to small differential voltages around 0.2 V V_{IC} . It is recommended that V_{IC} levels be kept greater than 0.5 V to avoid this increased sensitivity at $V_{IC} \approx 0.2$ V. In most applications, since V_{IC} typically is 1.5 V, the fail-safe circuitry functions properly to provide a high state at the receiver output.

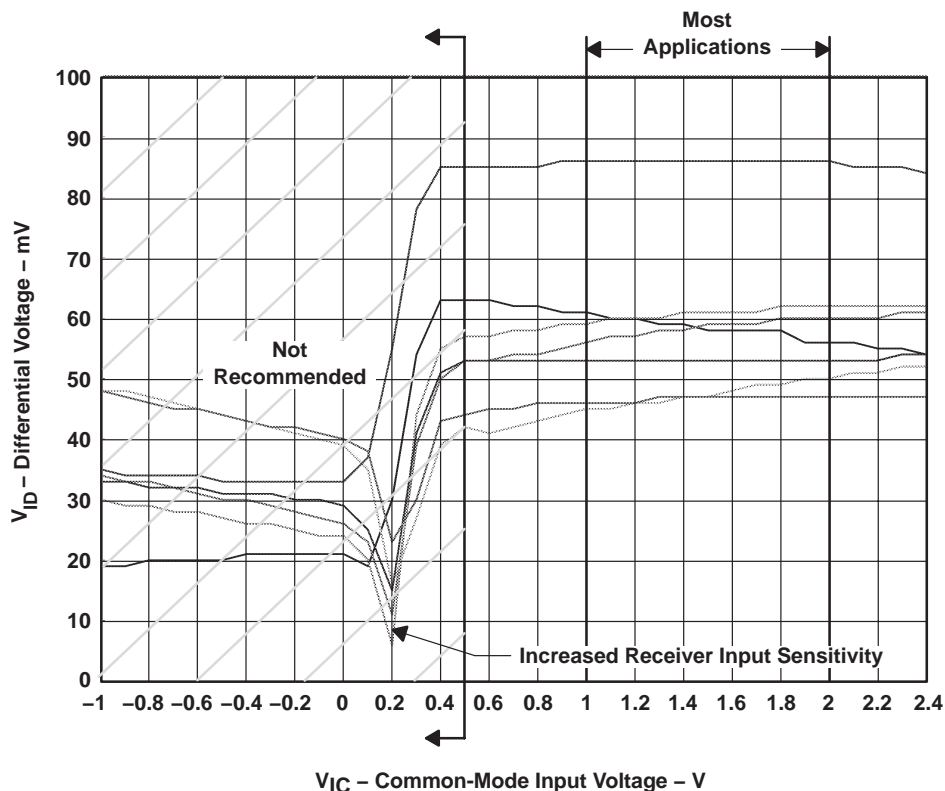


Figure 8. V_{IC} Versus V_{ID} Receiver Sensitivity Levels

AM26LV32C, AM26LV32I LOW-VOLTAGE HIGH-SPEED QUADRUPLE DIFFERENTIAL LINE RECEIVER

SLLS202E – MAY 1995 – REVISED JUNE 2005

APPLICATION INFORMATION

Figure 9 represents a typical application where two receivers are not used. In this case, there is no need to worry about the output voltages of the unused receivers since they are not connected in the system architecture.

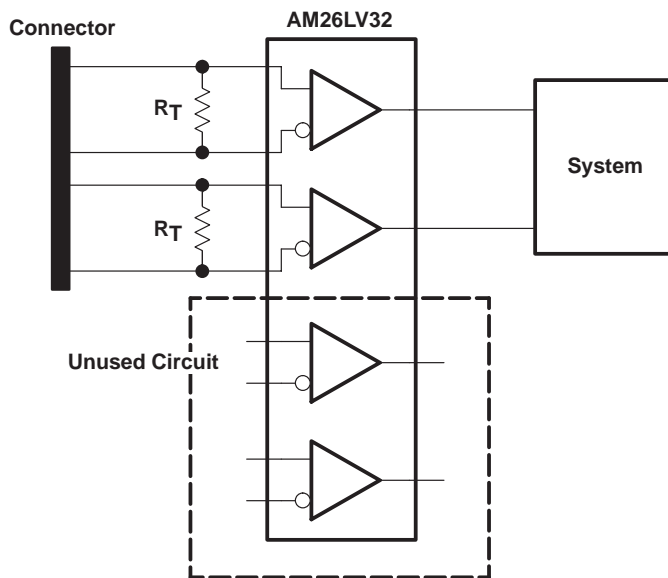


Figure 9. Typical Application with Unused Receivers

Figure 10 shows a common application where one or more drivers are either disabled or powered down. To ensure the inactive receiver outputs are in a high state, the active receiver inputs must have $V_{IL} > 0.4\text{ V}$ and $V_{IC} > 0.5\text{ V}$.

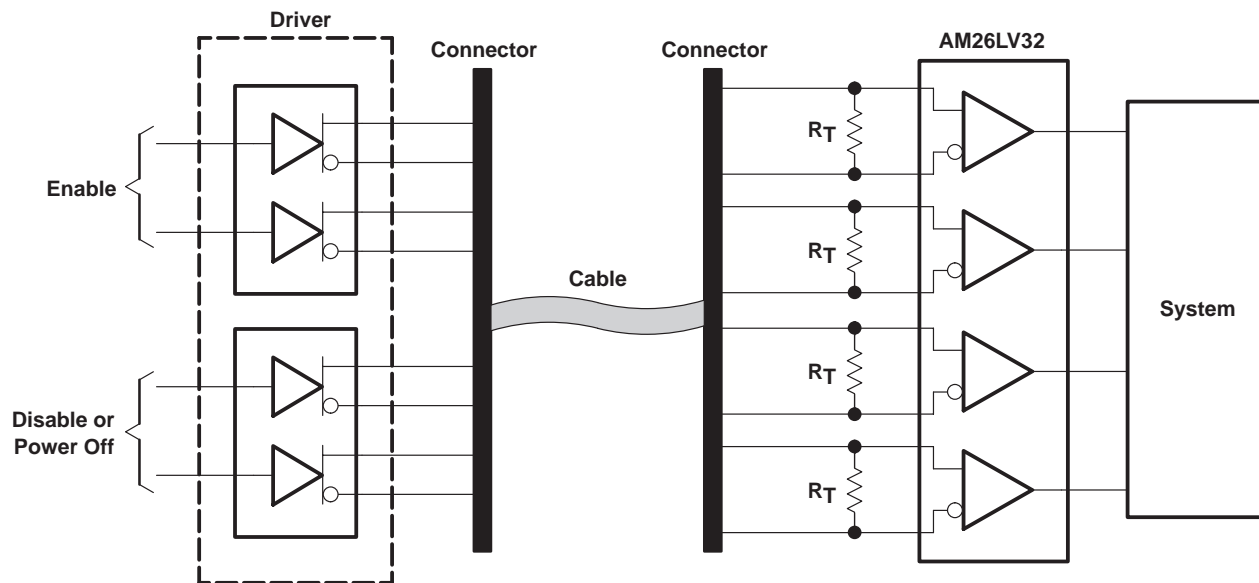


Figure 10. Typical Application Where Two or More Drivers are Disabled

AM26LV32C, AM26LV32I LOW-VOLTAGE HIGH-SPEED QUADRUPLE DIFFERENTIAL LINE RECEIVER

SLLS202E – MAY 1995 – REVISED JUNE 2005

APPLICATION INFORMATION

Figure 11 is an alternative application design to replace the application in Figure 10. This design uses two AM26LV32 devices, instead of one. However, this design does not require the input levels be monitored to ensure the outputs are in the correct state, only that they comply to the RS-232 standard.

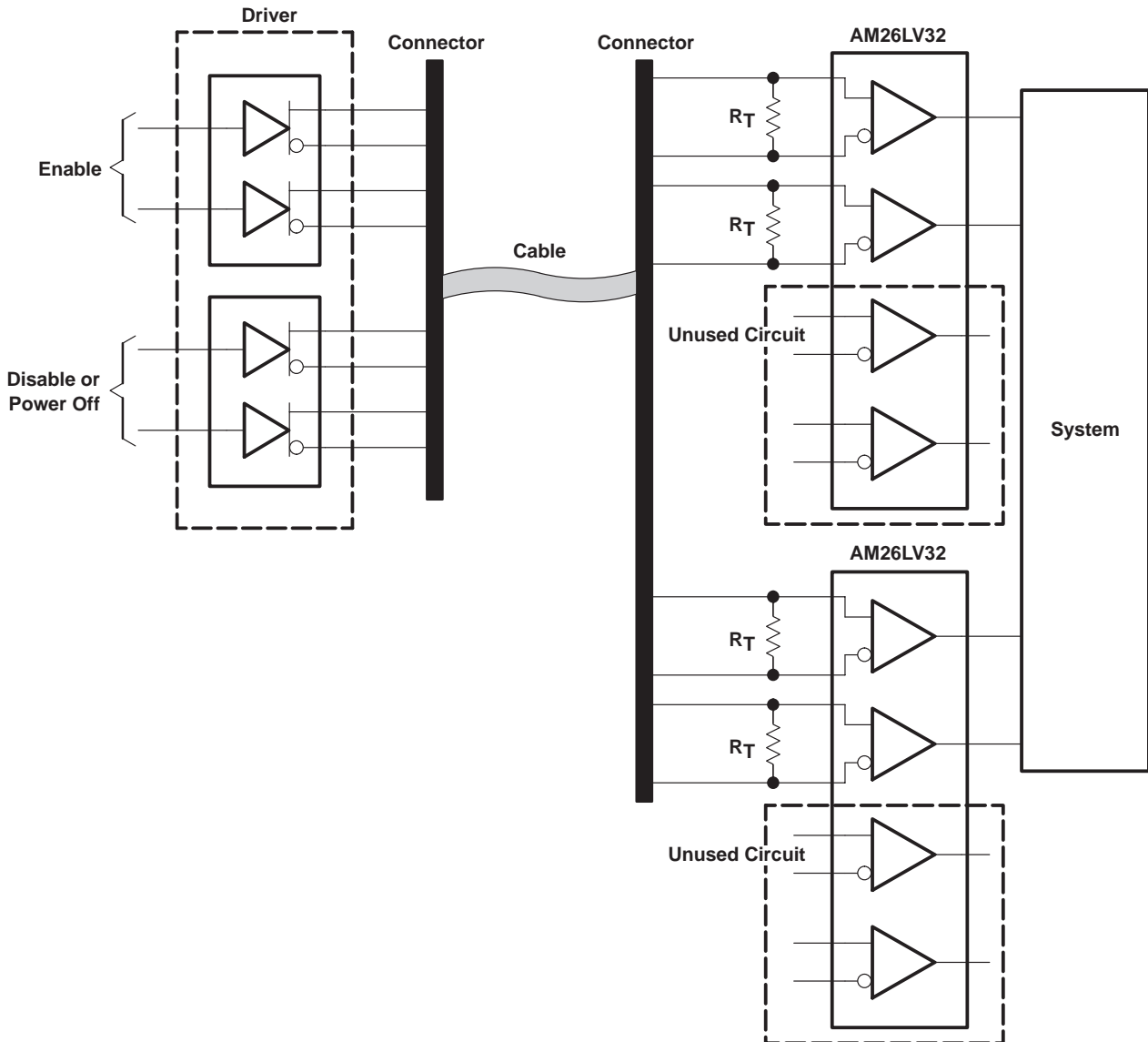


Figure 11. Alternative Solution for Figure 10

AM26LV32C, AM26LV32I LOW-VOLTAGE HIGH-SPEED QUADRUPLE DIFFERENTIAL LINE RECEIVER

SLLS202E – MAY 1995 – REVISED JUNE 2005

APPLICATION INFORMATION

Figures 12 and 13 show typical applications where a disconnected cable occurs. Figure 12 illustrates a typical application where a cable is disconnected. Similar to Figure 10, the active input levels must be monitored to make sure the inactive receiver outputs are in a high state. An alternative solution is shown in Figure 13.

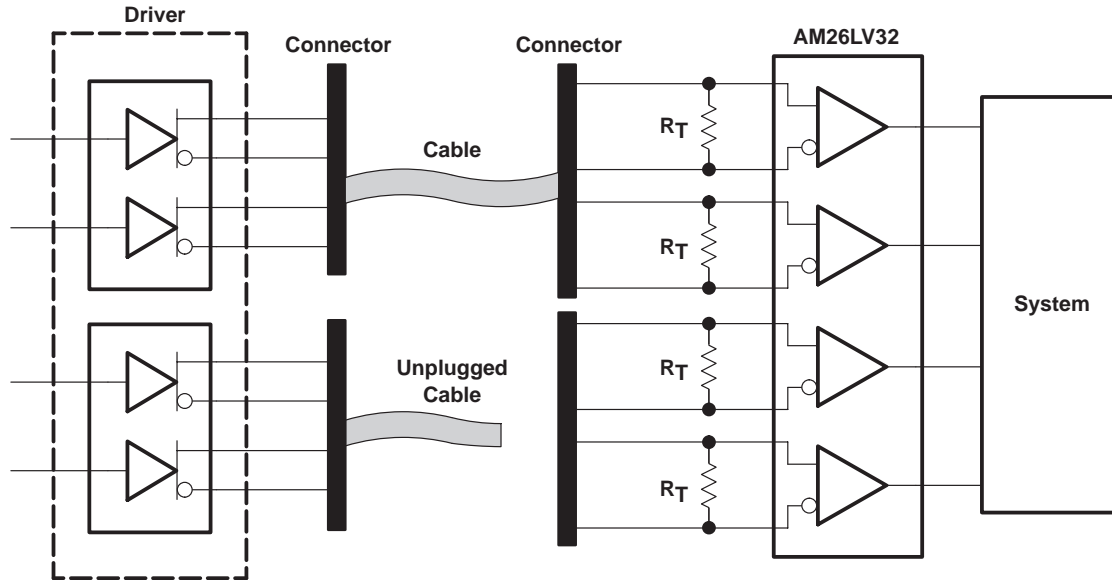


Figure 12. Typical Application Where Two or More Drivers are Disconnected

AM26LV32C, AM26LV32I LOW-VOLTAGE HIGH-SPEED QUADRUPLE DIFFERENTIAL LINE RECEIVER

SLLS202E – MAY 1995 – REVISED JUNE 2005

APPLICATION INFORMATION

Figure 13 is an alternative solution so the receiver inputs do not have to be monitored. This solution also requires the use of two AM26LV32 devices, instead of one.

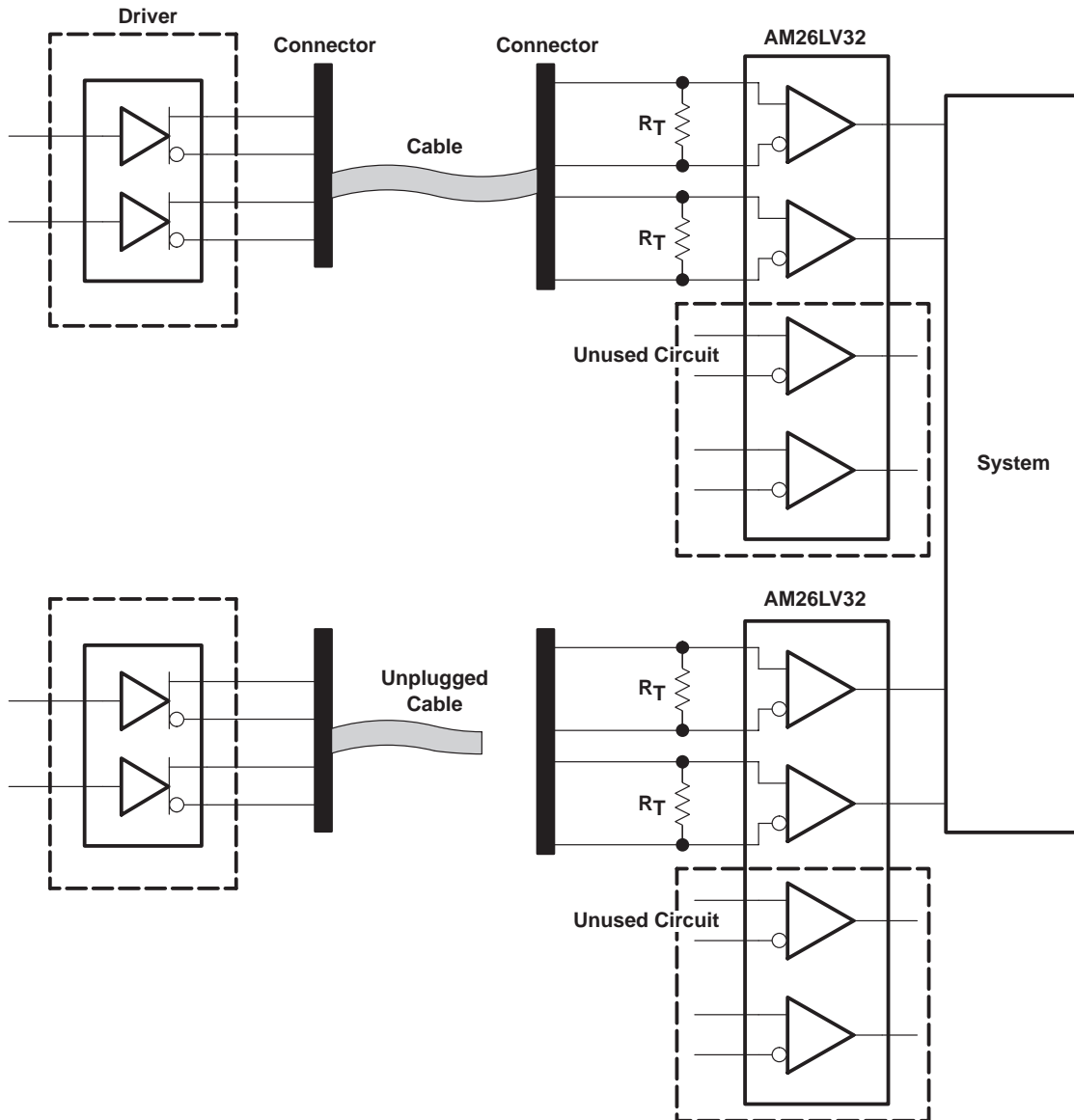


Figure 13. Alternative Solution to Figure 12

AM26LV32C, AM26LV32I

LOW-VOLTAGE HIGH-SPEED QUADRUPLE DIFFERENTIAL LINE RECEIVER

SLLS202E – MAY 1995 – REVISED JUNE 2005

APPLICATION INFORMATION

When designing a system using the AM26LV32, the device provides a robust solution where fail-safe and fault conditions are of concern. The RS-422-like inputs accept common-mode input levels from -0.3 V to 5.5 V with a specified sensitivity of $\pm 200\text{ mV}$. As previously shown, care must be taken with active input levels since they can affect the outputs of unused or inactive bits. However, most applications meet or exceed the requirements to allow the device to perform properly.



POST OFFICE BOX 655303 • DALLAS, TEXAS 75265

PACKAGING INFORMATION

| Orderable Device | Status ⁽¹⁾ | Package Type | Package Drawing | Pins | Package Qty | Eco Plan ⁽²⁾ | Lead/Ball Finish | MSL Peak Temp ⁽³⁾ |
|------------------|-----------------------|--------------|-----------------|------|-------------|-------------------------|------------------|------------------------------|
| AM26LV32CD | ACTIVE | SOIC | D | 16 | 40 | Green (RoHS & no Sb/Br) | CU NIPDAU | Level-1-260C-UNLIM |
| AM26LV32CDE4 | ACTIVE | SOIC | D | 16 | 40 | Green (RoHS & no Sb/Br) | CU NIPDAU | Level-1-260C-UNLIM |
| AM26LV32CDG4 | ACTIVE | SOIC | D | 16 | 40 | Green (RoHS & no Sb/Br) | CU NIPDAU | Level-1-260C-UNLIM |
| AM26LV32CDR | ACTIVE | SOIC | D | 16 | 2500 | Green (RoHS & no Sb/Br) | CU NIPDAU | Level-1-260C-UNLIM |
| AM26LV32CDRE4 | ACTIVE | SOIC | D | 16 | 2500 | Green (RoHS & no Sb/Br) | CU NIPDAU | Level-1-260C-UNLIM |
| AM26LV32CDRG4 | ACTIVE | SOIC | D | 16 | 2500 | Green (RoHS & no Sb/Br) | CU NIPDAU | Level-1-260C-UNLIM |
| AM26LV32CNSLE | OBSOLETE | SO | NS | 16 | | TBD | Call TI | Call TI |
| AM26LV32CNSR | ACTIVE | SO | NS | 16 | 2000 | Green (RoHS & no Sb/Br) | CU NIPDAU | Level-1-260C-UNLIM |
| AM26LV32CNSRE4 | ACTIVE | SO | NS | 16 | 2000 | Green (RoHS & no Sb/Br) | CU NIPDAU | Level-1-260C-UNLIM |
| AM26LV32CNSRG4 | ACTIVE | SO | NS | 16 | 2000 | Green (RoHS & no Sb/Br) | CU NIPDAU | Level-1-260C-UNLIM |
| AM26LV32ID | ACTIVE | SOIC | D | 16 | 40 | Green (RoHS & no Sb/Br) | CU NIPDAU | Level-1-260C-UNLIM |
| AM26LV32IDE4 | ACTIVE | SOIC | D | 16 | 40 | Green (RoHS & no Sb/Br) | CU NIPDAU | Level-1-260C-UNLIM |
| AM26LV32IDG4 | ACTIVE | SOIC | D | 16 | 40 | Green (RoHS & no Sb/Br) | CU NIPDAU | Level-1-260C-UNLIM |
| AM26LV32IDR | ACTIVE | SOIC | D | 16 | 2500 | Green (RoHS & no Sb/Br) | CU NIPDAU | Level-1-260C-UNLIM |
| AM26LV32IDRE4 | ACTIVE | SOIC | D | 16 | 2500 | Green (RoHS & no Sb/Br) | CU NIPDAU | Level-1-260C-UNLIM |
| AM26LV32IDRG4 | ACTIVE | SOIC | D | 16 | 2500 | Green (RoHS & no Sb/Br) | CU NIPDAU | Level-1-260C-UNLIM |
| AM26LV32INS | ACTIVE | SO | NS | 16 | 50 | Green (RoHS & no Sb/Br) | CU NIPDAU | Level-1-260C-UNLIM |
| AM26LV32INSE4 | ACTIVE | SO | NS | 16 | 50 | Green (RoHS & no Sb/Br) | CU NIPDAU | Level-1-260C-UNLIM |
| AM26LV32INSG4 | ACTIVE | SO | NS | 16 | 50 | Green (RoHS & no Sb/Br) | CU NIPDAU | Level-1-260C-UNLIM |
| AM26LV32INSR | ACTIVE | SO | NS | 16 | 2000 | Green (RoHS & no Sb/Br) | CU NIPDAU | Level-1-260C-UNLIM |
| AM26LV32INSRE4 | ACTIVE | SO | NS | 16 | 2000 | Green (RoHS & no Sb/Br) | CU NIPDAU | Level-1-260C-UNLIM |
| AM26LV32INSRG4 | ACTIVE | SO | NS | 16 | 2000 | Green (RoHS & no Sb/Br) | CU NIPDAU | Level-1-260C-UNLIM |

⁽¹⁾ The marketing status values are defined as follows:

ACTIVE: Product device recommended for new designs.

LIFEBUY: TI has announced that the device will be discontinued, and a lifetime-buy period is in effect.

NRND: Not recommended for new designs. Device is in production to support existing customers, but TI does not recommend using this part in a new design.

PREVIEW: Device has been announced but is not in production. Samples may or may not be available.

OBSOLETE: TI has discontinued the production of the device.

(2) Eco Plan - The planned eco-friendly classification: Pb-Free (RoHS), Pb-Free (RoHS Exempt), or Green (RoHS & no Sb/Br) - please check <http://www.ti.com/productcontent> for the latest availability information and additional product content details.

TBD: The Pb-Free/Green conversion plan has not been defined.

Pb-Free (RoHS): TI's terms "Lead-Free" or "Pb-Free" mean semiconductor products that are compatible with the current RoHS requirements for all 6 substances, including the requirement that lead not exceed 0.1% by weight in homogeneous materials. Where designed to be soldered at high temperatures, TI Pb-Free products are suitable for use in specified lead-free processes.

Pb-Free (RoHS Exempt): This component has a RoHS exemption for either 1) lead-based flip-chip solder bumps used between the die and package, or 2) lead-based die adhesive used between the die and leadframe. The component is otherwise considered Pb-Free (RoHS compatible) as defined above.

Green (RoHS & no Sb/Br): TI defines "Green" to mean Pb-Free (RoHS compatible), and free of Bromine (Br) and Antimony (Sb) based flame retardants (Br or Sb do not exceed 0.1% by weight in homogeneous material)

(3) MSL, Peak Temp. -- The Moisture Sensitivity Level rating according to the JEDEC industry standard classifications, and peak solder temperature.

Important Information and Disclaimer:The information provided on this page represents TI's knowledge and belief as of the date that it is provided. TI bases its knowledge and belief on information provided by third parties, and makes no representation or warranty as to the accuracy of such information. Efforts are underway to better integrate information from third parties. TI has taken and continues to take reasonable steps to provide representative and accurate information but may not have conducted destructive testing or chemical analysis on incoming materials and chemicals. TI and TI suppliers consider certain information to be proprietary, and thus CAS numbers and other limited information may not be available for release.

In no event shall TI's liability arising out of such information exceed the total purchase price of the TI part(s) at issue in this document sold by TI to Customer on an annual basis.

TAPE AND REEL INFORMATION



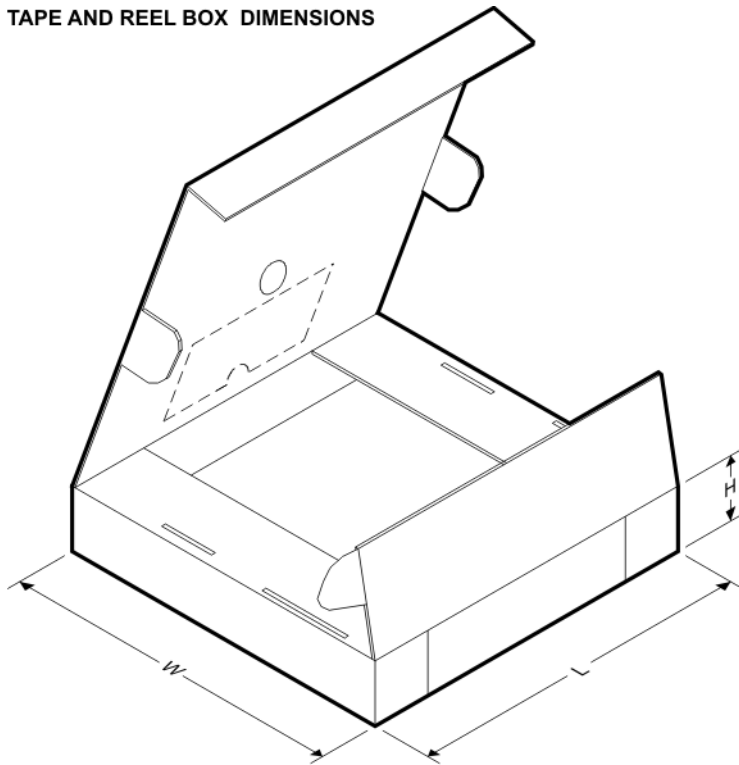
QUADRANT ASSIGNMENTS FOR PIN 1 ORIENTATION IN TAPE



*All dimensions are nominal

| Device | Package Type | Package Drawing | Pins | SPQ | Reel Diameter (mm) | Reel Width W1 (mm) | A0 (mm) | B0 (mm) | K0 (mm) | P1 (mm) | W (mm) | Pin1 Quadrant |
|--------------|--------------|-----------------|------|------|--------------------|--------------------|---------|---------|---------|---------|--------|---------------|
| AM26LV32CDR | SOIC | D | 16 | 2500 | 330.0 | 16.4 | 6.5 | 10.3 | 2.1 | 8.0 | 16.0 | Q1 |
| AM26LV32CDR | SOIC | D | 16 | 2500 | 330.0 | 16.4 | 6.5 | 10.3 | 2.1 | 8.0 | 16.0 | Q1 |
| AM26LV32CNSR | SO | NS | 16 | 2000 | 330.0 | 16.4 | 8.2 | 10.5 | 2.5 | 12.0 | 16.0 | Q1 |
| AM26LV32IDR | SOIC | D | 16 | 2500 | 330.0 | 16.4 | 6.5 | 10.3 | 2.1 | 8.0 | 16.0 | Q1 |
| AM26LV32INSR | SO | NS | 16 | 2000 | 330.0 | 16.4 | 8.2 | 10.5 | 2.5 | 12.0 | 16.0 | Q1 |

TAPE AND REEL BOX DIMENSIONS



*All dimensions are nominal

| Device | Package Type | Package Drawing | Pins | SPQ | Length (mm) | Width (mm) | Height (mm) |
|--------------|--------------|-----------------|------|------|-------------|------------|-------------|
| AM26LV32CDR | SOIC | D | 16 | 2500 | 333.2 | 345.9 | 28.6 |
| AM26LV32CDR | SOIC | D | 16 | 2500 | 346.0 | 346.0 | 33.0 |
| AM26LV32CNSR | SO | NS | 16 | 2000 | 346.0 | 346.0 | 33.0 |
| AM26LV32IDR | SOIC | D | 16 | 2500 | 333.2 | 345.9 | 28.6 |
| AM26LV32INSR | SO | NS | 16 | 2000 | 346.0 | 346.0 | 33.0 |

MECHANICAL DATA

NS (R-PDSO-G**)

PLASTIC SMALL-OUTLINE PACKAGE

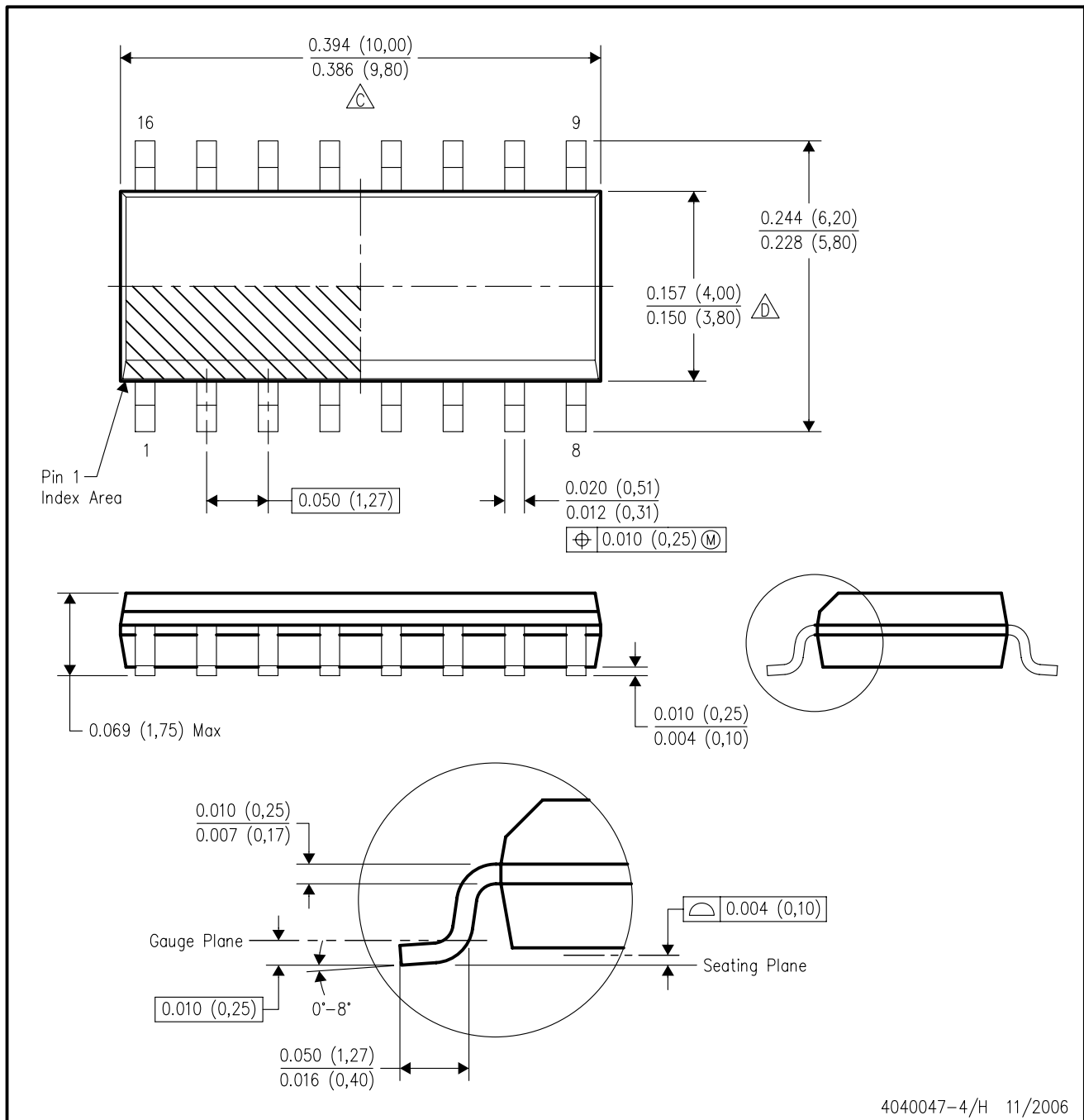
14-PINS SHOWN



- NOTES:
- A. All linear dimensions are in millimeters.
 - B. This drawing is subject to change without notice.
 - C. Body dimensions do not include mold flash or protrusion, not to exceed 0,15.

D (R-PDSO-G16)

PLASTIC SMALL-OUTLINE PACKAGE



4040047-4/H 11/2006

- NOTES:
- A. All linear dimensions are in inches (millimeters).
 - B. This drawing is subject to change without notice.
 - C. Body length does not include mold flash, protrusions, or gate burrs. Mold flash, protrusions, or gate burrs shall not exceed .006 (0,15) per end.
 - D. Body width does not include interlead flash. Interlead flash shall not exceed .017 (0,43) per side.
 - E. Reference JEDEC MS-012 variation AC.

IMPORTANT NOTICE

Texas Instruments Incorporated and its subsidiaries (TI) reserve the right to make corrections, modifications, enhancements, improvements, and other changes to its products and services at any time and to discontinue any product or service without notice. Customers should obtain the latest relevant information before placing orders and should verify that such information is current and complete. All products are sold subject to TI's terms and conditions of sale supplied at the time of order acknowledgment.

TI warrants performance of its hardware products to the specifications applicable at the time of sale in accordance with TI's standard warranty. Testing and other quality control techniques are used to the extent TI deems necessary to support this warranty. Except where mandated by government requirements, testing of all parameters of each product is not necessarily performed.

TI assumes no liability for applications assistance or customer product design. Customers are responsible for their products and applications using TI components. To minimize the risks associated with customer products and applications, customers should provide adequate design and operating safeguards.

TI does not warrant or represent that any license, either express or implied, is granted under any TI patent right, copyright, mask work right, or other TI intellectual property right relating to any combination, machine, or process in which TI products or services are used. Information published by TI regarding third-party products or services does not constitute a license from TI to use such products or services or a warranty or endorsement thereof. Use of such information may require a license from a third party under the patents or other intellectual property of the third party, or a license from TI under the patents or other intellectual property of TI.

Reproduction of TI information in TI data books or data sheets is permissible only if reproduction is without alteration and is accompanied by all associated warranties, conditions, limitations, and notices. Reproduction of this information with alteration is an unfair and deceptive business practice. TI is not responsible or liable for such altered documentation. Information of third parties may be subject to additional restrictions.

Resale of TI products or services with statements different from or beyond the parameters stated by TI for that product or service voids all express and any implied warranties for the associated TI product or service and is an unfair and deceptive business practice. TI is not responsible or liable for any such statements.

TI products are not authorized for use in safety-critical applications (such as life support) where a failure of the TI product would reasonably be expected to cause severe personal injury or death, unless officers of the parties have executed an agreement specifically governing such use. Buyers represent that they have all necessary expertise in the safety and regulatory ramifications of their applications, and acknowledge and agree that they are solely responsible for all legal, regulatory and safety-related requirements concerning their products and any use of TI products in such safety-critical applications, notwithstanding any applications-related information or support that may be provided by TI. Further, Buyers must fully indemnify TI and its representatives against any damages arising out of the use of TI products in such safety-critical applications.

TI products are neither designed nor intended for use in military/aerospace applications or environments unless the TI products are specifically designated by TI as military-grade or "enhanced plastic." Only products designated by TI as military-grade meet military specifications. Buyers acknowledge and agree that any such use of TI products which TI has not designated as military-grade is solely at the Buyer's risk, and that they are solely responsible for compliance with all legal and regulatory requirements in connection with such use.

TI products are neither designed nor intended for use in automotive applications or environments unless the specific TI products are designated by TI as compliant with ISO/TS 16949 requirements. Buyers acknowledge and agree that, if they use any non-designated products in automotive applications, TI will not be responsible for any failure to meet such requirements.

Following are URLs where you can obtain information on other Texas Instruments products and application solutions:

Products

| | |
|-----------------------------|--|
| Amplifiers | amplifier.ti.com |
| Data Converters | dataconverter.ti.com |
| DSP | dsp.ti.com |
| Clocks and Timers | www.ti.com/clocks |
| Interface | interface.ti.com |
| Logic | logic.ti.com |
| Power Mgmt | power.ti.com |
| Microcontrollers | microcontroller.ti.com |
| RFID | www.ti-rfid.com |
| RF/IF and ZigBee® Solutions | www.ti.com/lprf |

Applications

| | |
|--------------------|--|
| Audio | www.ti.com/audio |
| Automotive | www.ti.com/automotive |
| Broadband | www.ti.com/broadband |
| Digital Control | www.ti.com/digitalcontrol |
| Medical | www.ti.com/medical |
| Military | www.ti.com/military |
| Optical Networking | www.ti.com/opticalnetwork |
| Security | www.ti.com/security |
| Telephony | www.ti.com/telephony |
| Video & Imaging | www.ti.com/video |
| Wireless | www.ti.com/wireless |

Mailing Address: Texas Instruments, Post Office Box 655303, Dallas, Texas 75265
Copyright © 2008, Texas Instruments Incorporated