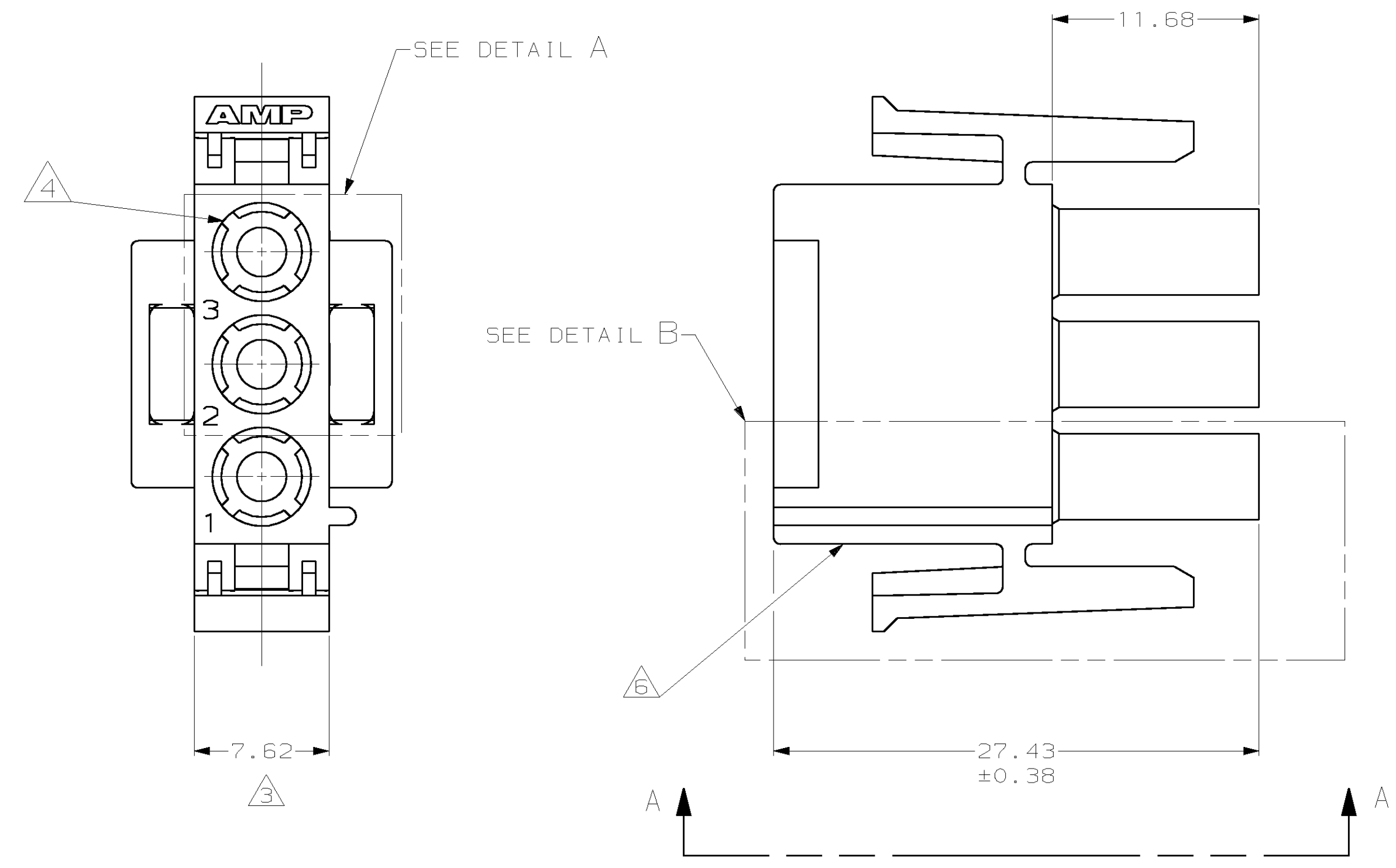
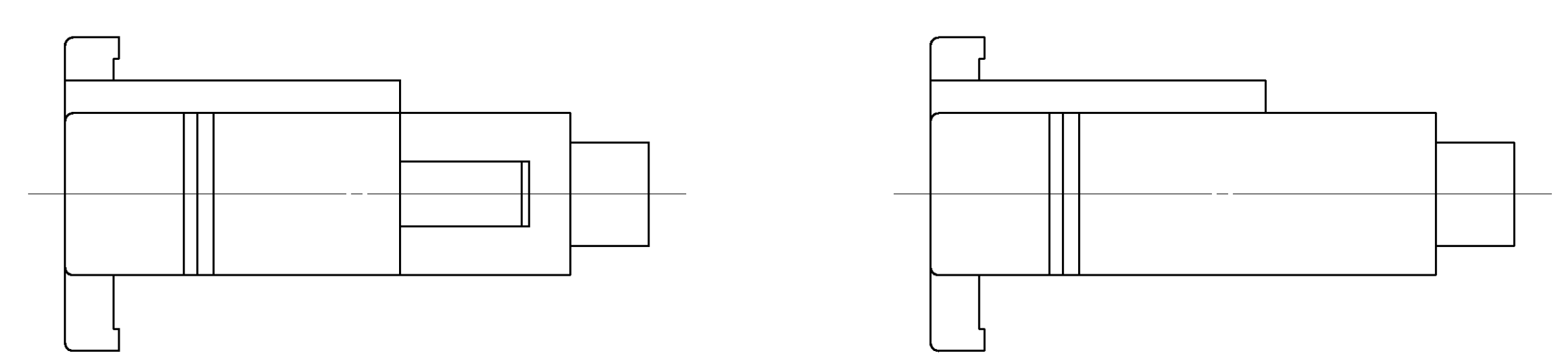


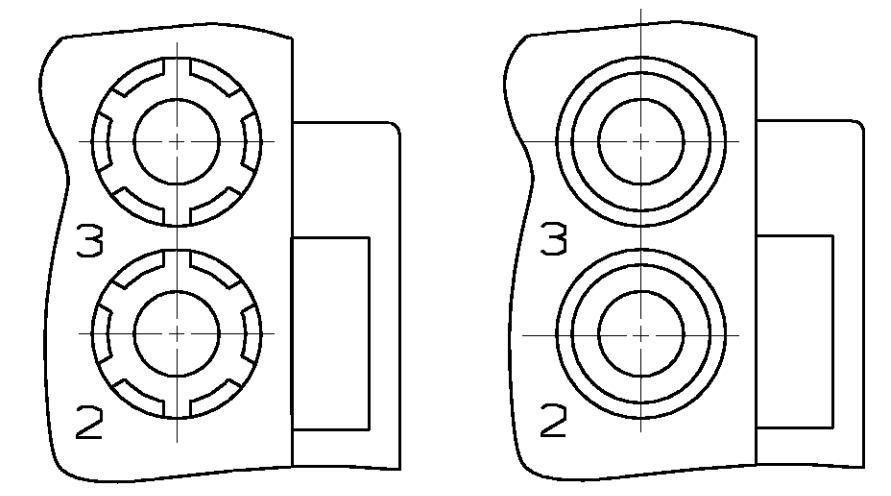
LOC	DIST	REVISIONS					
CM	53	REV	PER	EC	DATE	OWN	APPROV
W		REV	PER	EC	061B-0229-98	JH	RS



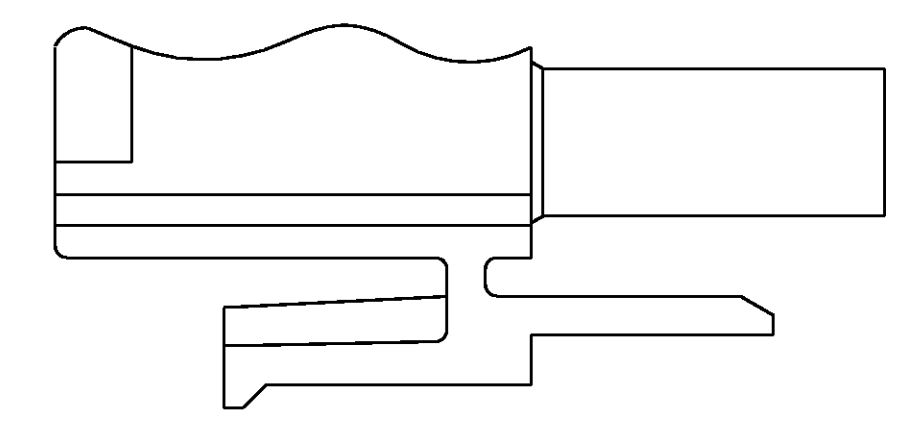
- MATES WITH APPROPRIATE UNIVERSAL MATE-N-LOK™ CAP OR HEADER.
 - SMALL NICKS ARE PERMITTED ON THE CIRCUIT TOWERS WHICH COULD INCREASE THE INITIAL HOUSING MATING FORCE BY UP TO 4.4 NEWTONS [1.0 LBS]. NO INDIVIDUAL NICKED TOWER SHALL INCREASE THIS FORCE BY OVER 2.2 NEWTONS [0.5 LBS].
- ③ DIMENSION INDICATED IS AS MOLDED. ADDITIONAL GROWTH DUE TO SUBSEQUENT MOISTURE ABSORPTION MAY OCCUR.
- ④ FOUR RIBS EQUALLY SPACED, NO SPECIFIC ORIENTATION. NO RIBS OR SIX RIBS EQUALLY SPACED, NO SPECIFIC ORIENTATION, OPTIONAL.
- ⑤ NOT MANUFACTURED IN U.S.
- ⑥ UNDERWRITERS RECOGNIZED COMPONENT LOGO AND CSA CERTIFICATION LOGO TO BE LOCATED ONCE EACH ON SIDE OF HOUSING.



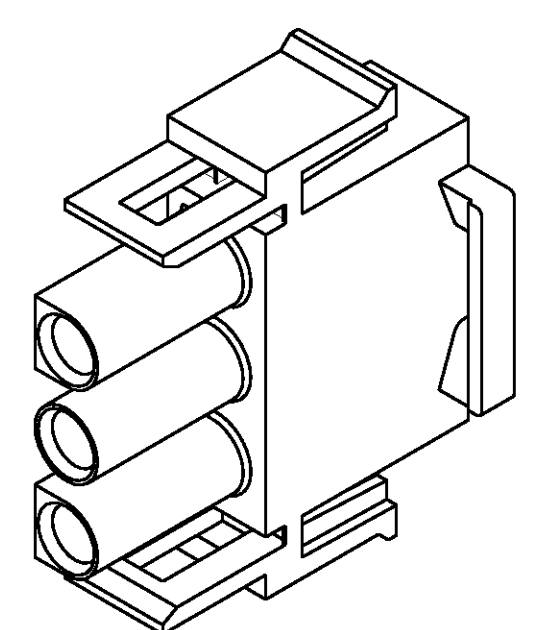
VIEW A-A
350766-4 ONLY



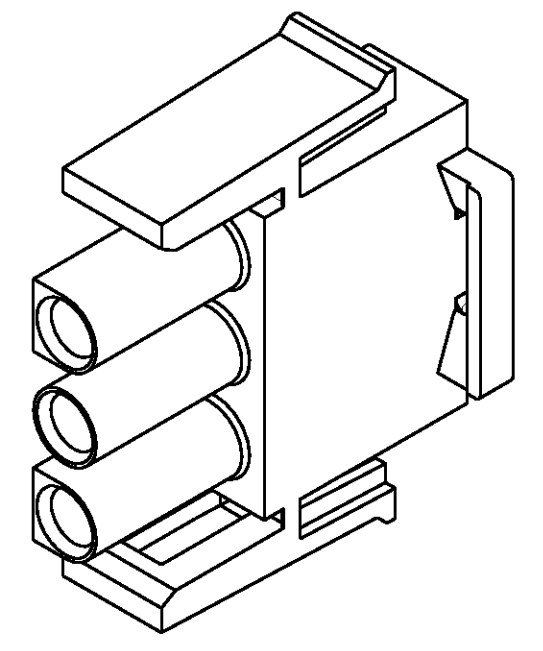
DETAIL A
OPTIONAL CONSTRUCTION



DETAIL B
350766-4 ONLY



350766-4 3-DIMENSIONAL MODEL
NTS



3-DIMENSIONAL MODEL
NTS

MM	IN
27.43	1.080
20.32	.800
14.73	.580
11.68	.460
7.62	.300
0.38	.015
0.13	.005
MM	IN

CONVERSION TABLE



<small>THIS DRAWING IS A CONTROLLED DOCUMENT AND IS UNPUBLISHED. IT IS SUBJECT TO CHANGE AND THE CONTROLLING ENGINEERING ORGANIZATION SHALL BE CONTACTED FOR THE LATEST REVISION.</small>		DWN: VESTAL 1-18-95 DR: SWING 1-18-95 APP'D: D. SELF 1-18-95 PRODUCT SPEC:	AMP AMP Incorporated Harrisburg, PA 17105-3608
DIMENSIONS: mm (INCHES) TOLERANCES UNLESS OTHERWISE SPECIFIED: D: PLC ±.015 I: PLC ±.015 J: PLC ±.015 K: PLC ±.015 A: PLC ±.015 ANGLES: ±0°30' FINISH:	MATERIAL: NYLON, UL 94V-0,	APPLICATION SPEC:	SIZE: A1 CAGE CODE: 00779 DRAWING NO: C=350766 SCALE: 4:1 SHEET: 1 OF 1 REV: W
CUSTOMER DRAWING			PLUG, 3 CIRCUIT, UNIVERSAL MATE-N-LOK™

⑤	350766-4
	350766-1
	PART NUMBER