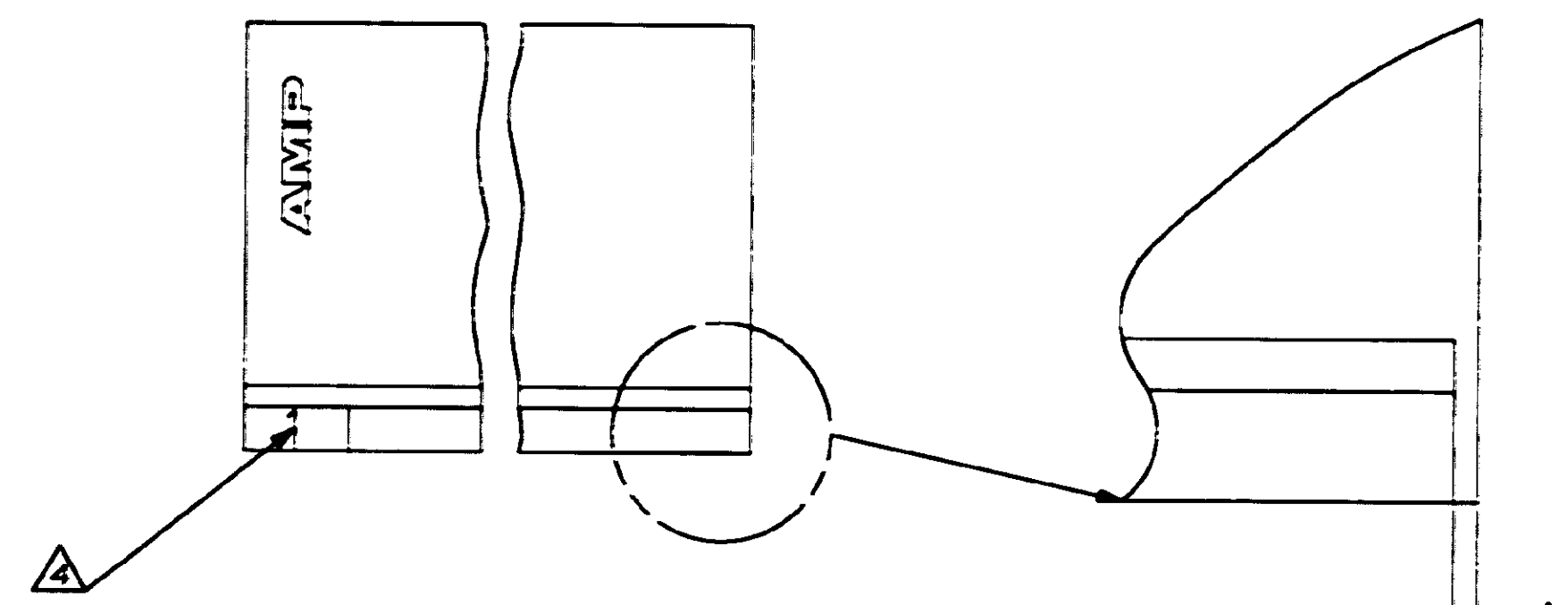
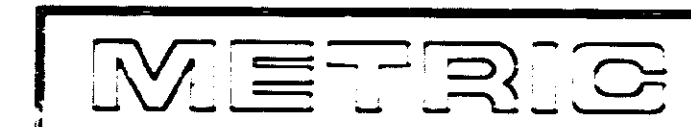
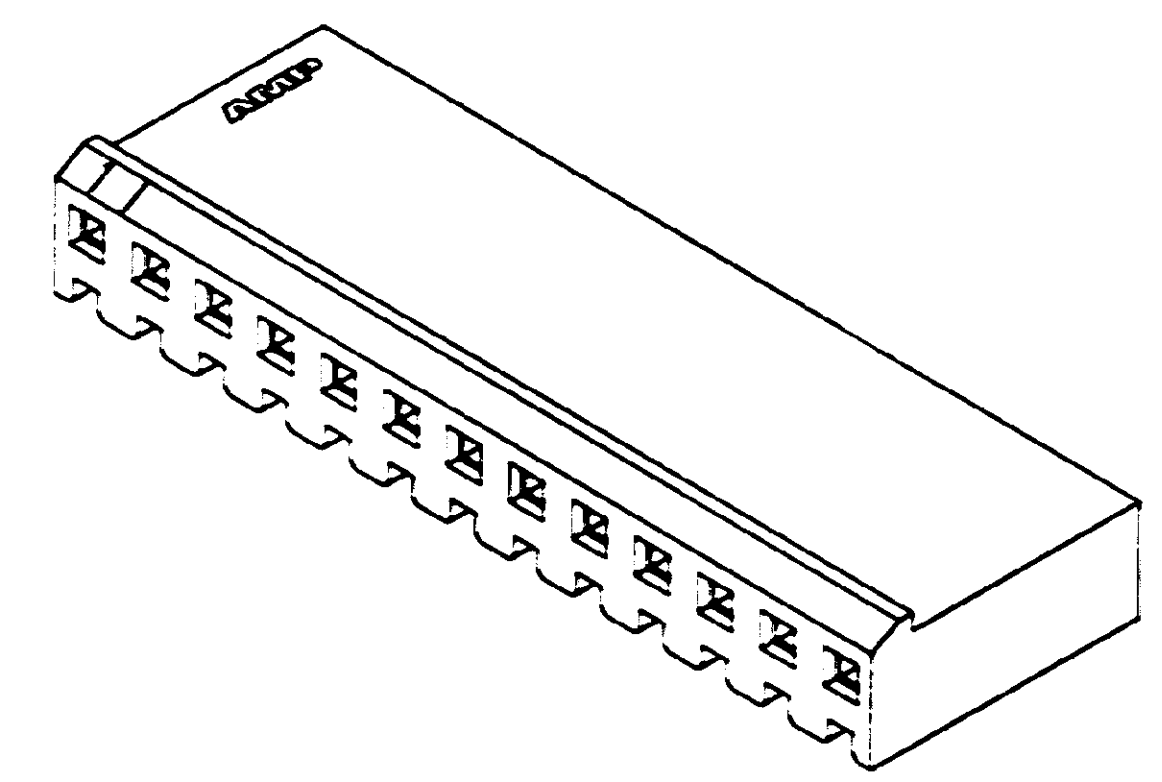
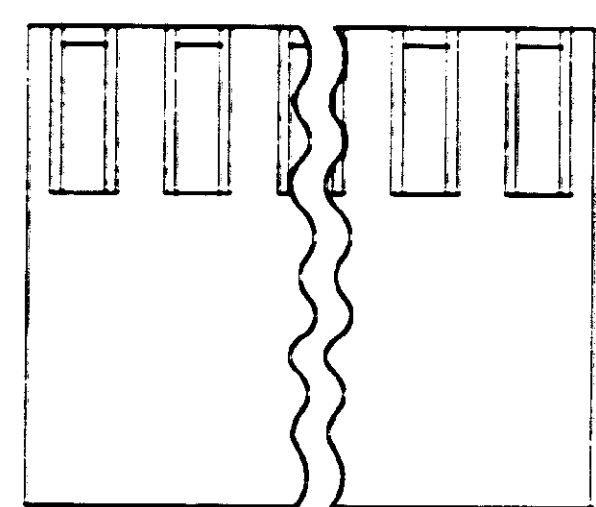
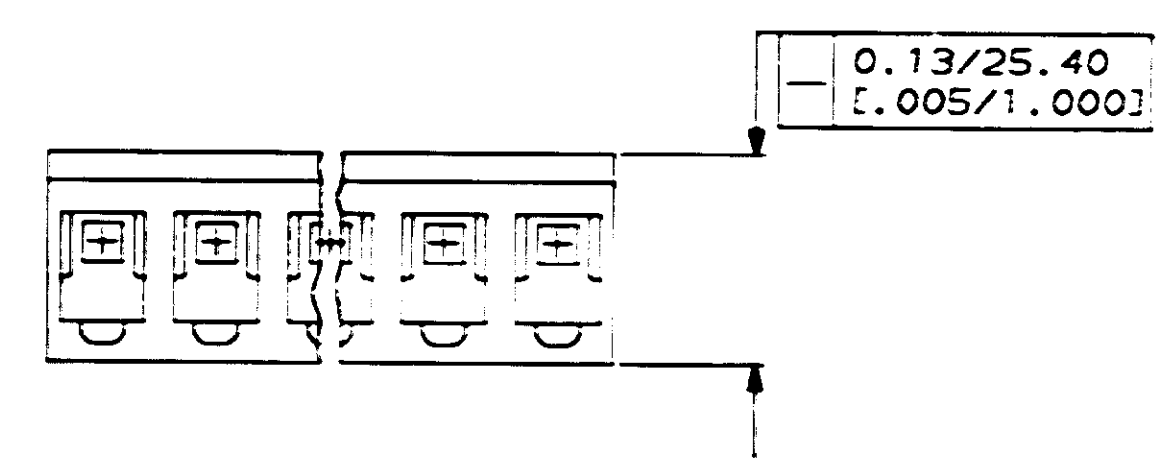
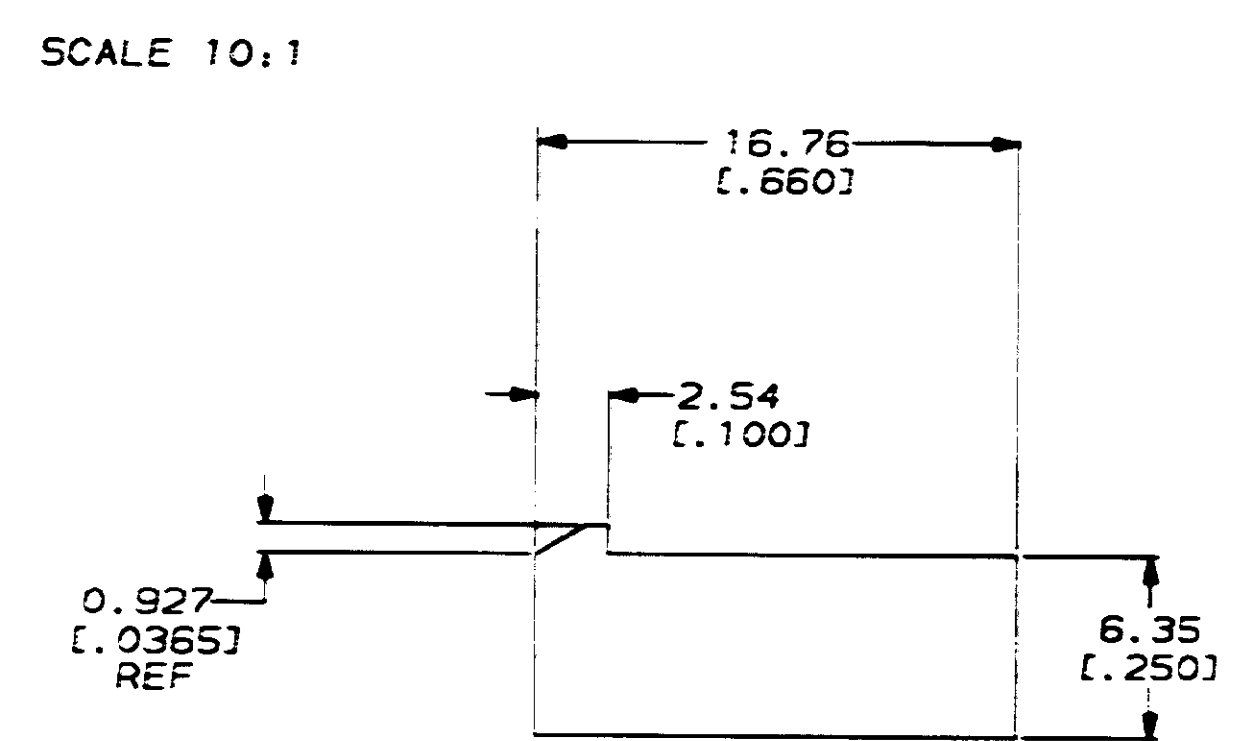
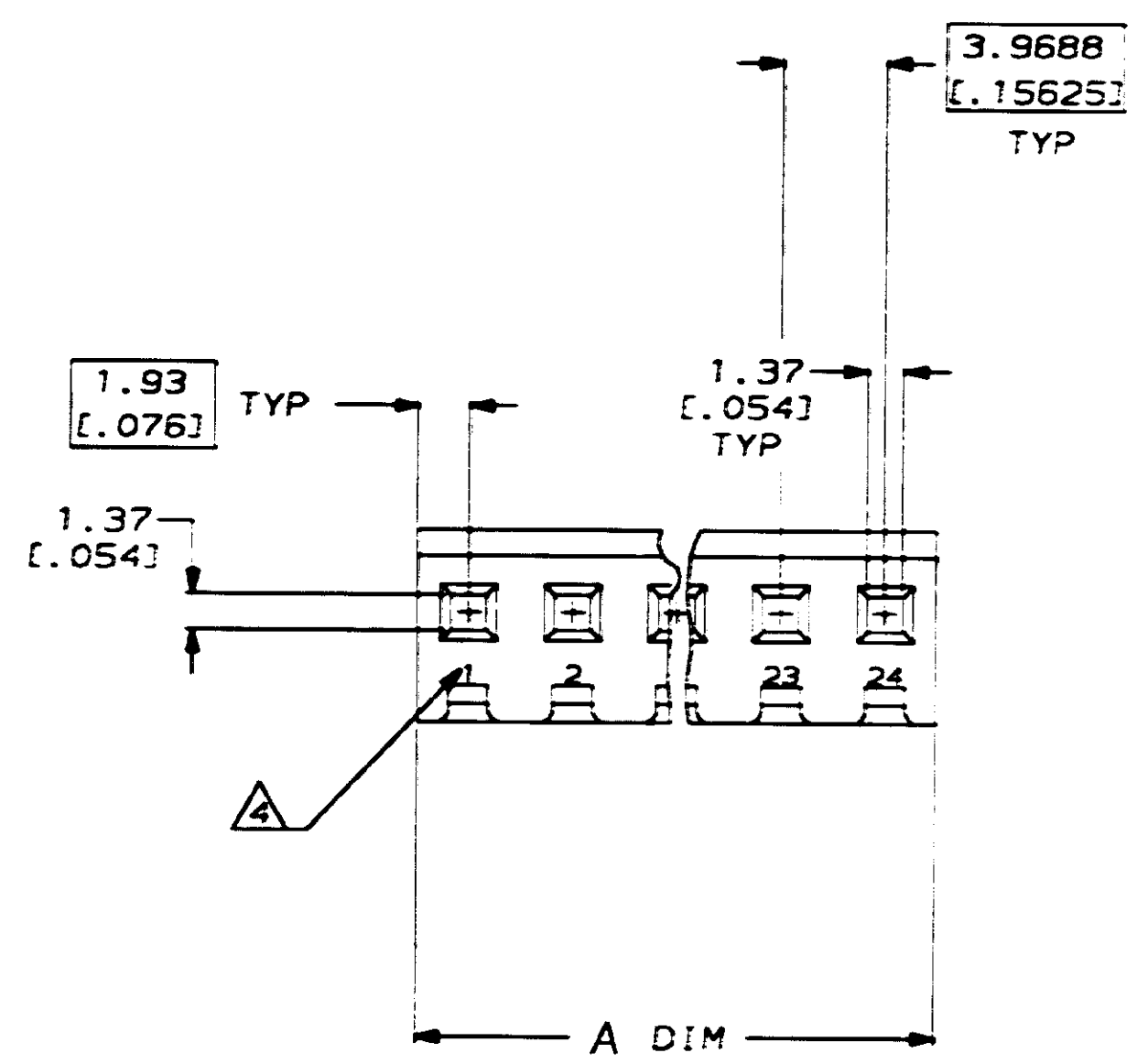


LOC		DIST		REVISIONS		DATE	APPRO
ZONE	LTR	DESCRIPTION	DATE	APPRO			
CM	54	U	REVISED PER EC 0730-4230-93		12-21-93	LS	RS



- UNIT ACCEPTS 1.14 [0.045] SQUARE OR ROUND POST.
- UNIT ACCEPTS STANDARD SL-156 CONTACTS.
- UNIT ACCEPTS KEYING PLUG 640254-1 AND KEYING PIN 640255-1.
- CIRCUIT I.D. NUMBER(S), TO BE LOCATED SEQUENTIALLY AS SHOWN OR ONLY NO. 1 CIRCUIT PLACED ON LOCKING RAMP.
- DIMENSIONS IN BRACKETS ARE IN INCHES.
- OPTIONAL CONSTRUCTION (BOTH CORNERS) UP TO 0.38 [0.015] FOR P/N -1 THRU -5, UP TO 1.27 [0.050] FOR P/N -6 THRU 2--4.



95.15	[3.746]	24	2-640250-4
91.19	[3.590]	23	2-640250-3
87.20	[3.433]	22	2-640250-2
83.24	[3.277]	21	2-640250-1
79.27	[3.121]	20	2-640250-0
75.31	[2.965]	19	1-640250-9
71.32	[2.808]	18	1-640250-8
67.36	[2.652]	17	1-640250-7
63.40	[2.496]	16	1-640250-6
59.44	[2.340]	15	1-640250-5
55.45	[2.183]	14	1-640250-4
51.49	[2.027]	13	1-640250-3
47.52	[1.871]	12	1-640250-2
43.56	[1.715]	11	1-640250-1
39.57	[1.558]	10	1-640250-0
35.61	[1.402]	9	640250-9
31.65	[1.246]	8	640250-8
27.69	[1.090]	7	640250-7
23.70	[0.933]	6	640250-6
19.74	[0.777]	5	640250-5
15.77	[0.621]	4	640250-4
11.81	[0.465]	3	640250-3
7.82	[0.308]	2	640250-2
3.86	[0.152]	1	640250-1

DO NOT SCALE PRINT. UNLESS SPECIFIED DIMENSIONS IN INCHES. TOLERANCES ON: 2 PLG DEC ± 0.13 [0.005] ANGLES ± 0°30'		DR 7-27-92 B. LEWIS		AMP Incorporated Harrisburg, PA 17105-3608	
MATERIAL: NYLON, UL 94V-0 NATURAL		CHK 7-27-92 R. SWING		NAME: HOUSING WITH LOCKING RAMP, SL-156	
FINISH: -		APPD 9-28-92 E. BELLES		SIZE: D	
WEIGHT: -		APPD 9-28-92 E. BELLES		CAGE CODE: 00779	
		PRODUCT SPEC: -		DRAWING NO: 640250	
		APPLICATION SPEC: -		SCALE: 4:1	
				SHEET: 1 OF 1	