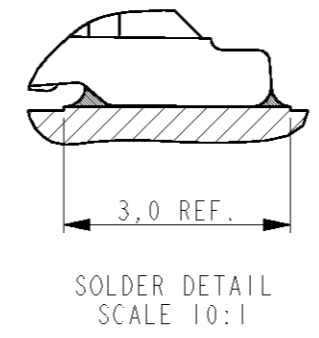
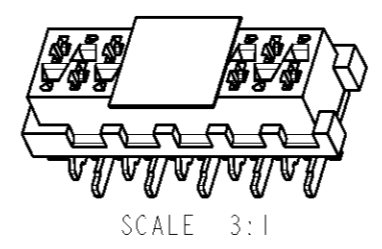
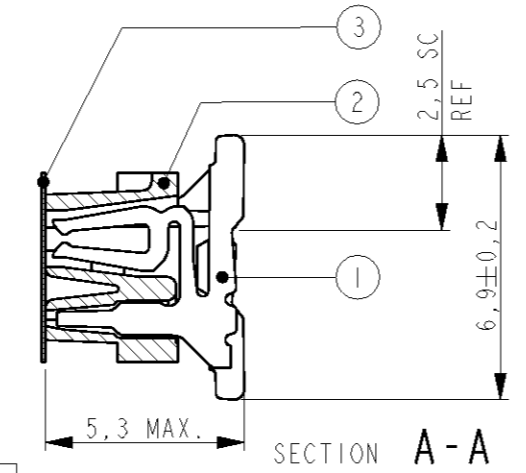
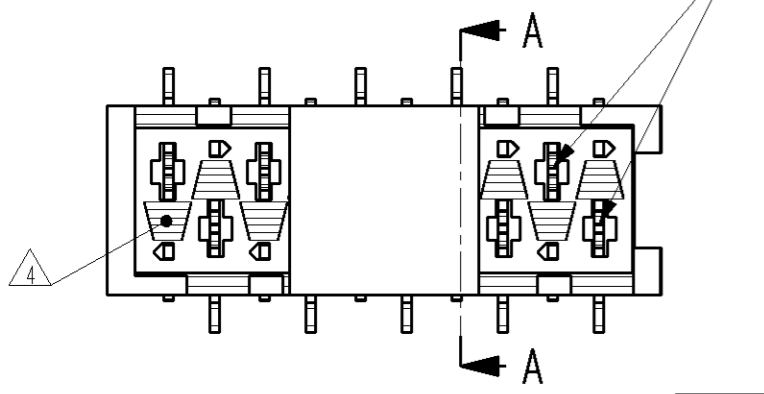


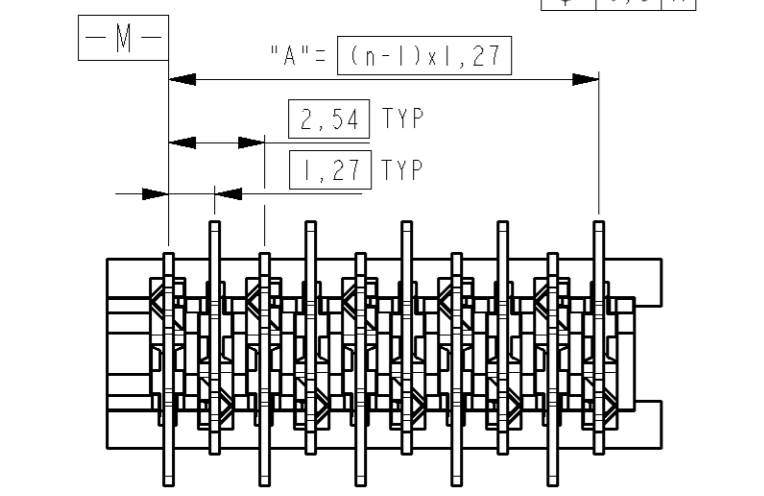
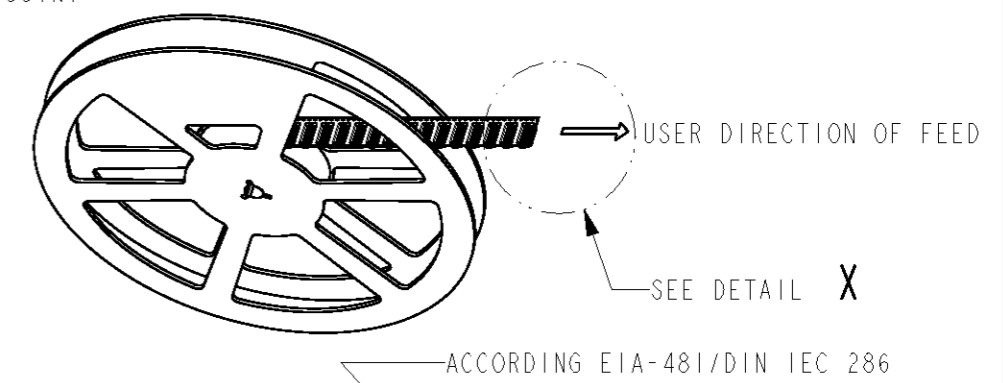
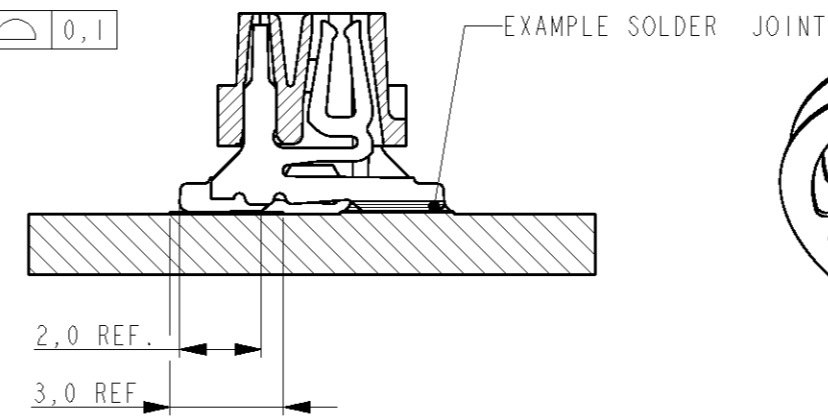
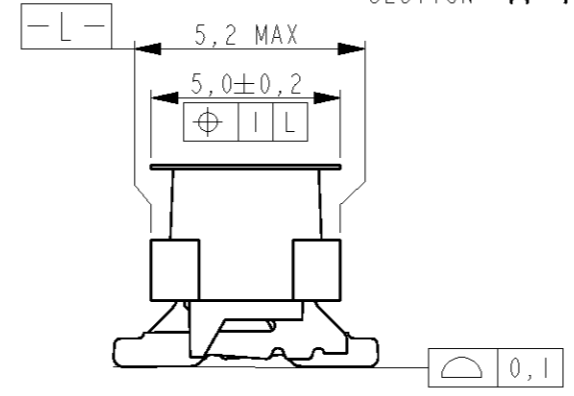
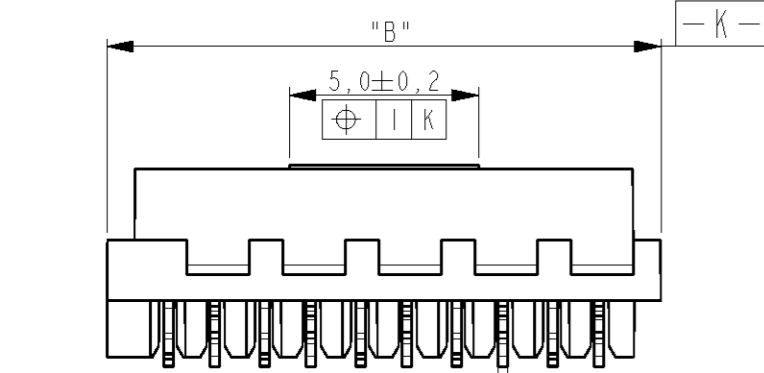
THIS DRAWING IS UNPUBLISHED. RELEASED FOR PUBLICATION  
 © COPYRIGHT - BY - ALL RIGHTS RESERVED.

LOC		DIST		REVISIONS					
H		-		P	LTR	DESCRIPTION	DATE	DWN	APVD
				S1		REVISED PER ECO-11-005294	21APR11	RK	HMR

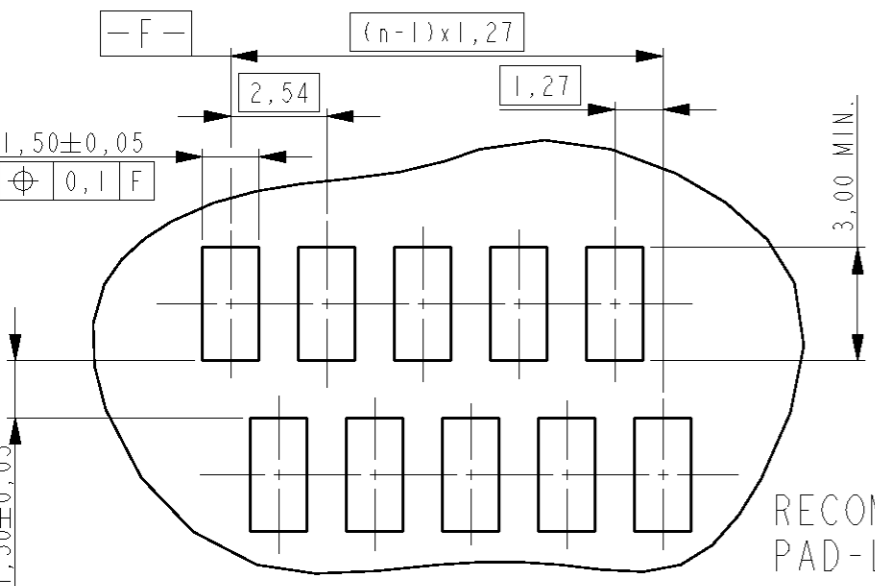
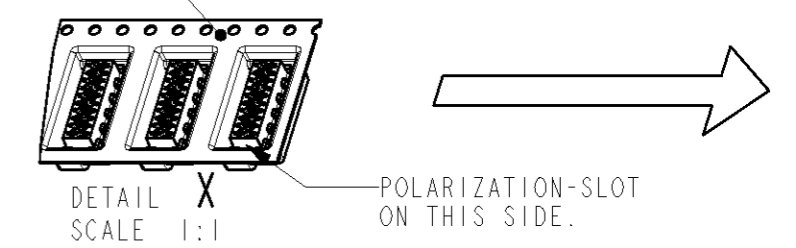
REFERENCE MATING INTERFACE PATTERN:  
 1,27 STAGGERED PITCH x 1,5 ROW-DISTANCE.



△1 PARTNUMBER VAC. TAPE.	△3 PARTNUMBER	NR. OF POS. "n"	"A"	"B" MAX.
7-188275-4	0-188275-4	4	3,81	7,1
7-188275-6	0-188275-6	6	6,35	9,7
7-188275-8	0-188275-8	8	8,89	12,2
8-188275-0	1-188275-0	10	11,43	14,7
8-188275-2	1-188275-2	12	13,97	17,3
8-188275-4	1-188275-4	14	16,51	19,8
8-188275-6	1-188275-6	16	19,05	22,4
8-188275-8	1-188275-8	18	21,59	24,9
9-188275-0	2-188275-0	20	24,13	27,5



- NOTES:
- △1 TAPE FOR VACUUM P&P ONLY FOR DASHNUMBERS 7- 18- 19-
  - 2 FOR PACKAGING SEE SHEET 2 OF 2
  - △3 WITHOUT VACUUM TAPE.
  - △4 CORING-OUTS FOR MANUFACTURING PURPOSE ONLY. SHAPE MAY VARY, BUT IS NOT FUNCTIONAL FOR THE APPLICATION.
  - 5 SHOWN IS A 10 POSITION CONNECTOR.



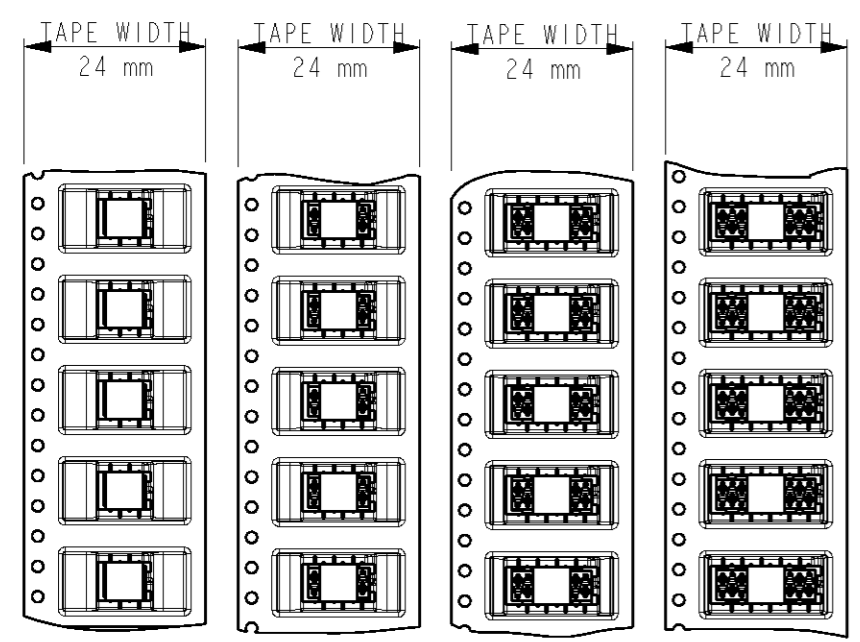
3	PICK&PLACE TAPE	KAPTON	AMBER TRANSPARENT
2	FEMALE HOUSING	G.F.POLYAMIDE	RED
1	FEMALE CONTACT	PHOSPHOR BRONZE	TIN OVER NICKEL
ITEM NO.	COMPONENT DESCRIPTION	MATERIAL	FINISH / COLOR

DWN M. GOSSELINK		<b>STE</b> TE Connectivity	
CHK -			
APVD -		NAME	
PRODUCT SPEC 108-19052		CONNECTOR, FEMALE-ON-BOARD TOP-ENTRY, SMD, Micro-MaTch	
APPLICATION SPEC -		SIZE A3	CAGE CODE 00779
MATERIAL -		DRAWING NO C=188275	RESTRICTED TO -
FINISH -		WEIGHT -	SCALE - SHEET 1 OF 2 REV S1
CUSTOMER DRAWING			

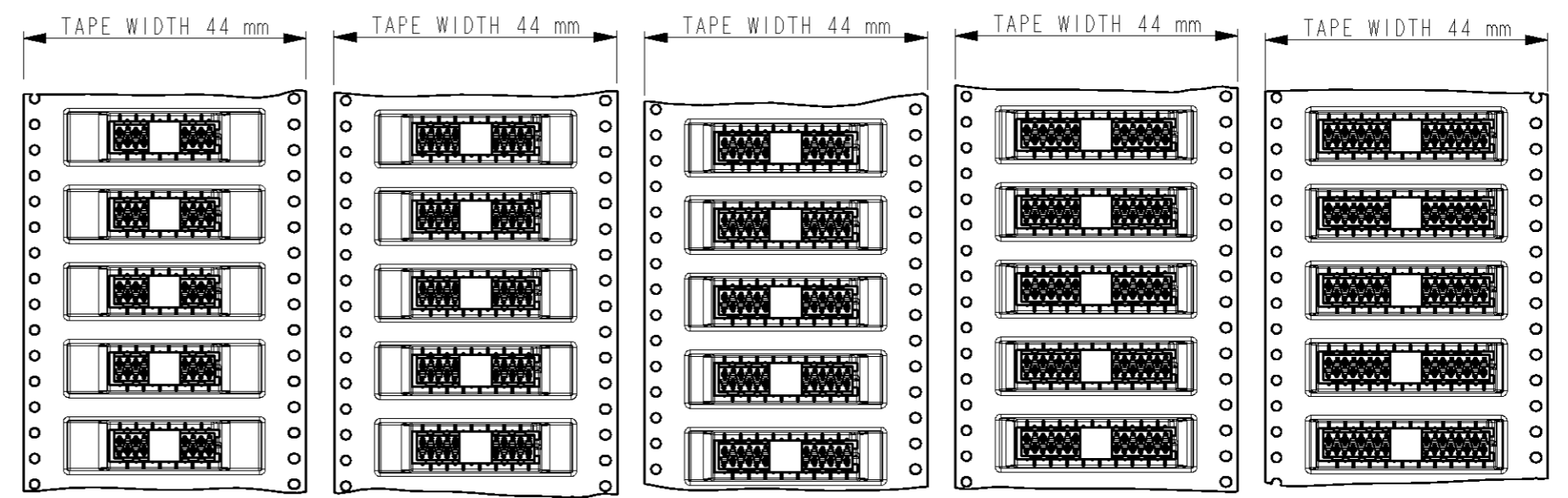
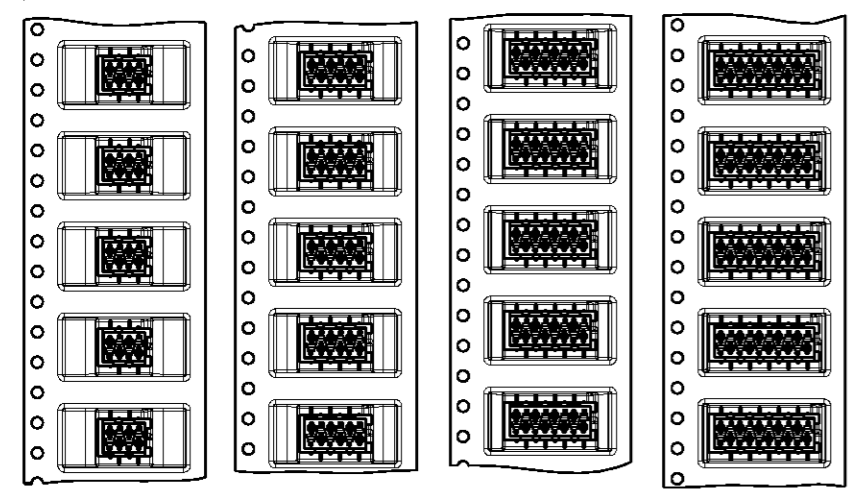
THIS DRAWING IS UNPUBLISHED. RELEASED FOR PUBLICATION

© COPYRIGHT - BY - ALL RIGHTS RESERVED.

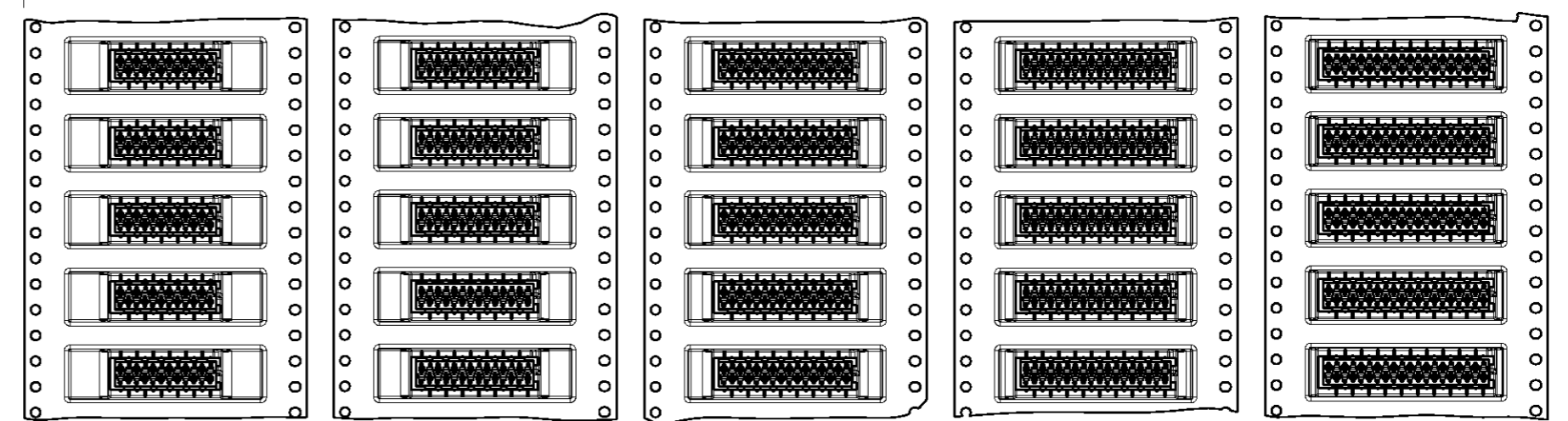
LOC H	DIST -	REVISIONS		
P	LTR	DESCRIPTION	DATE	APVD
		SHE SHEET 1		



7-188275-4	7-188275-6	7-188275-8	8-188275-0
4 POSITION	6 POSITION	8 POSITION	10 POSITION
0-188275-4	0-188275-6	0-188275-8	1-188275-0



8-188275-2	8-188275-4	8-188275-6	8-188275-8	9-188275-0
12 POSITION	14 POSITION	16 POSITION	18 POSITION	20 POSITION
1-188275-2	1-188275-4	1-188275-6	1-188275-8	2-188275-0



DWN M. GOSSELINK		<b>STE</b> TE Connectivity	
CHK -			
APVD -		NAME	
PRODUCT SPEC 108-19052		CONNECTOR, FEMALE-ON-BOARD TOP-ENTRY, SMD, Micro-MaTch	
APPLICATION SPEC -		SIZE A3	CAGE CODE 00779
WEIGHT -		DRAWING NO C=188275	
CUSTOMER DRAWING		RESTRICTED TO -	SCALE -
SHEET 2 OF 2		REV S1	

DIMENSIONS: mm	TOLERANCES UNLESS OTHERWISE SPECIFIED:
	0 PLC ±-
	1 PLC ±0,1
	2 PLC ±0,05
	3 PLC ±-
	4 PLC ±-
	ANGLES ±-
MATERIAL -	FINISH -