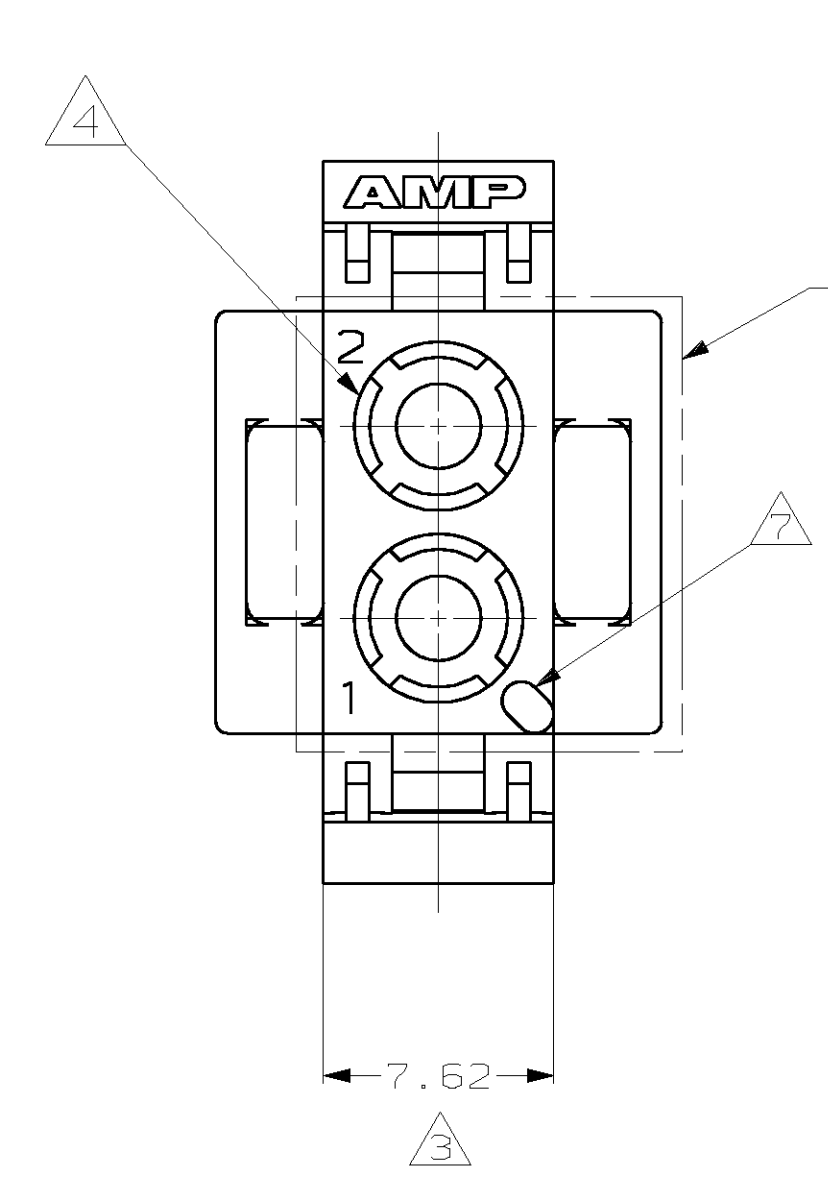
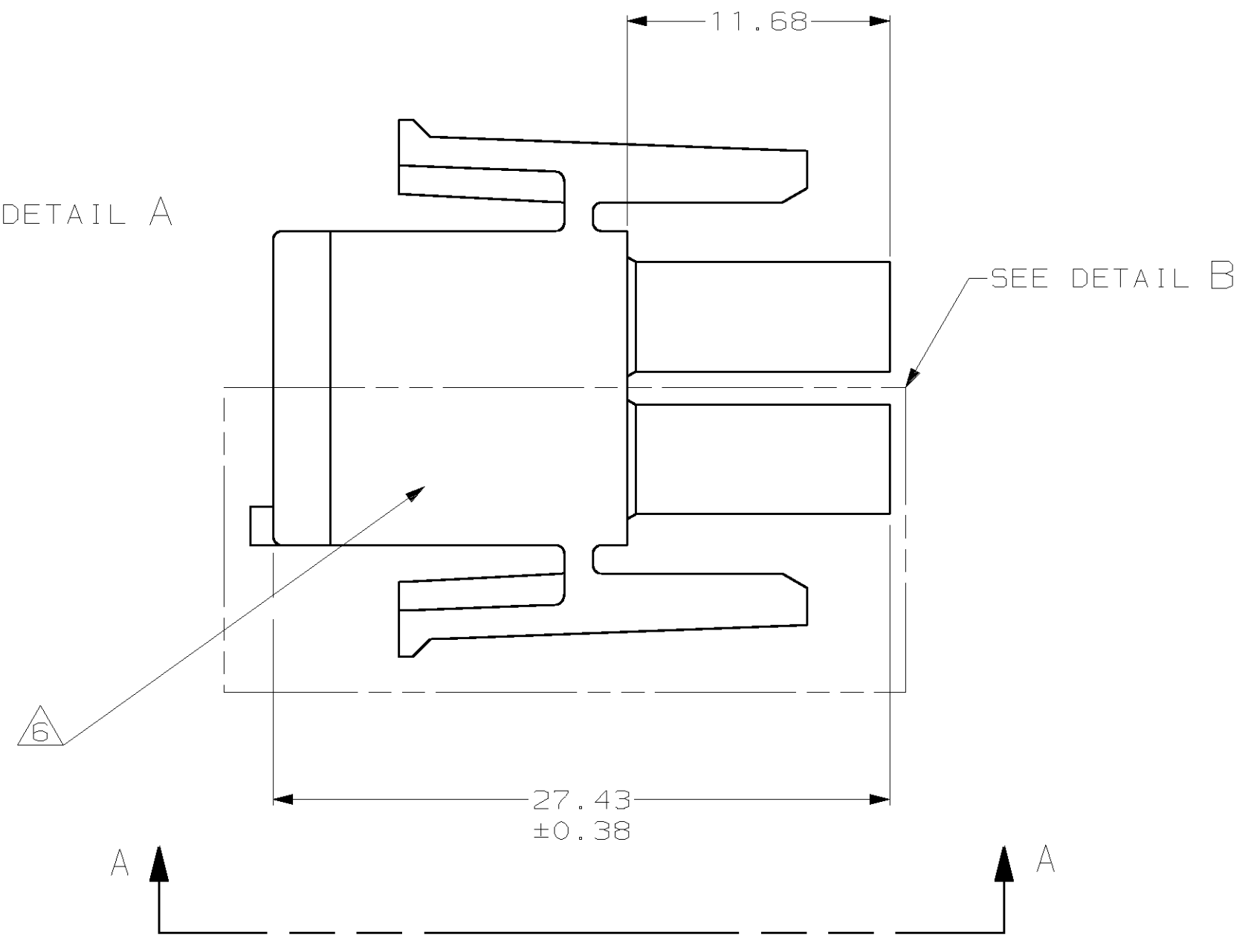


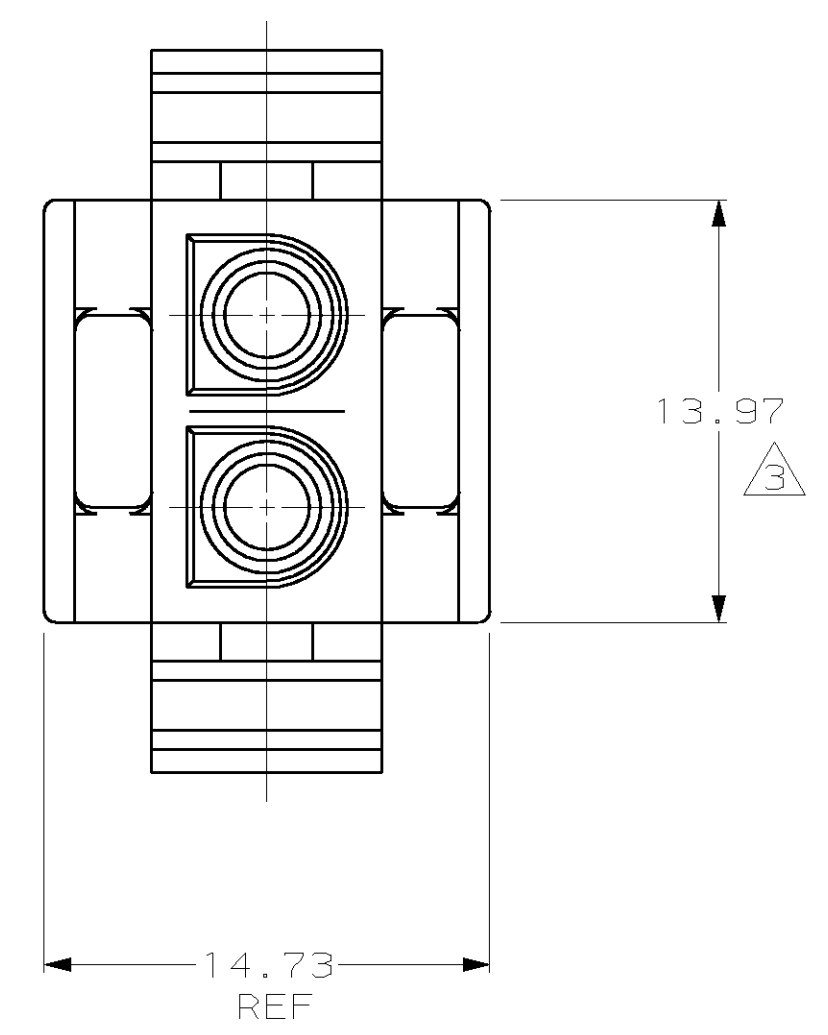
LOC		DST		REVISIONS			
CM	53	TR	LYR	DESCRIPTION	DATE	OWN	APVD
		AB		REVISED PER EC 063B-0608-01	16-JAN-02	KW	SR



SEE DETAIL A

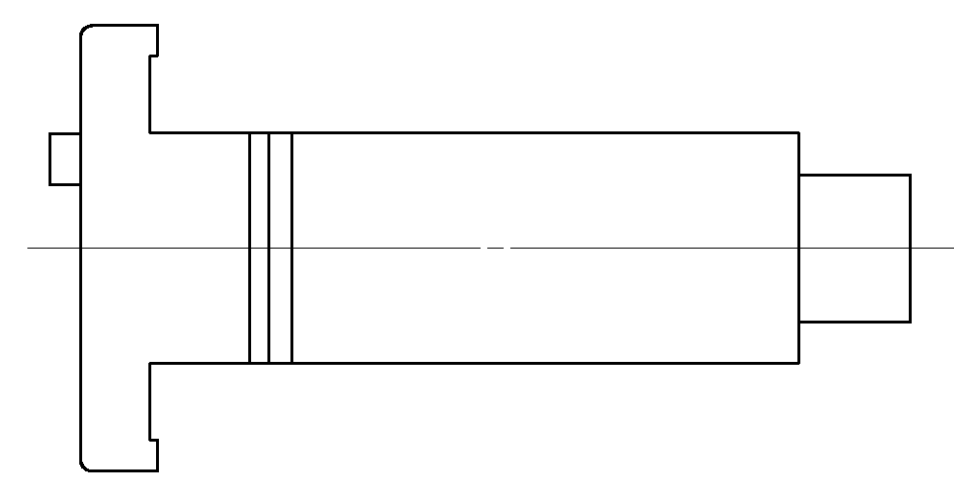
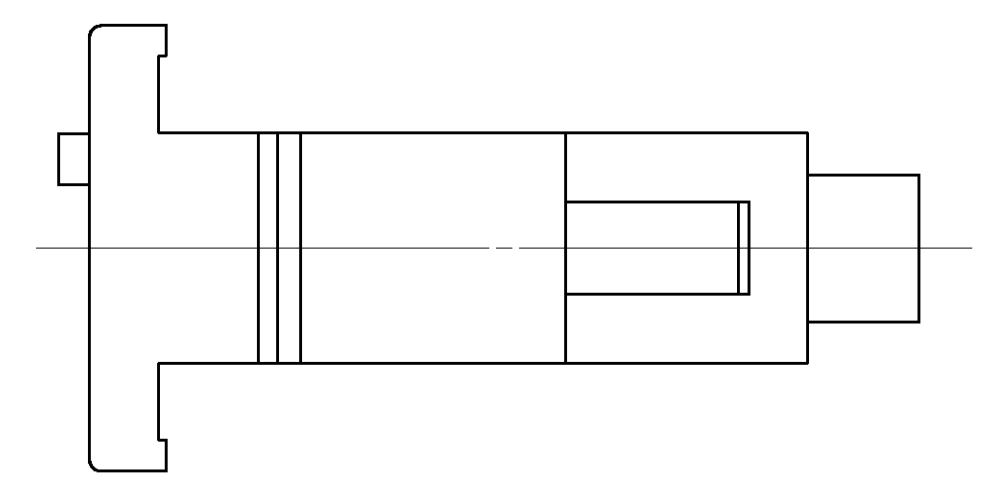


SEE DETAIL B

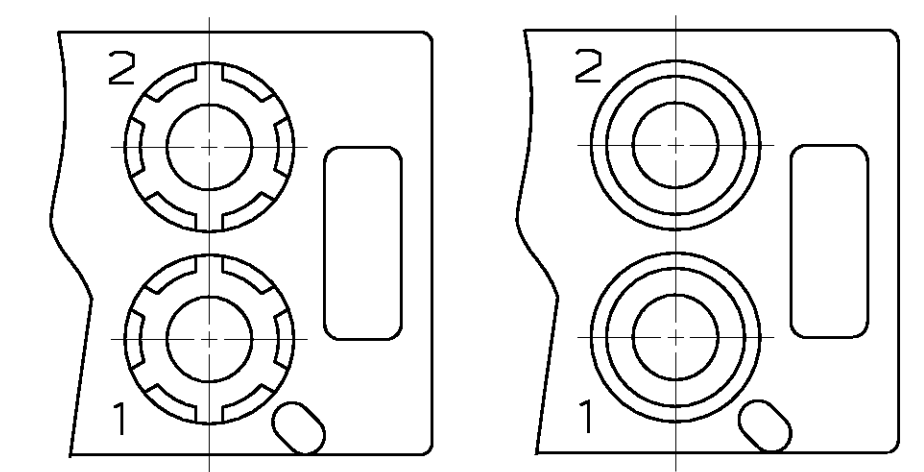


- MATES WITH APPROPRIATE UNIVERSAL MATE-N-LOK™ CAP OR HEADER.
- SMALL NICKS ARE PERMITTED ON THE CIRCUIT TOWERS WHICH COULD INCREASE THE INITIAL HOUSING MATING FORCE BY UP TO 4.4 NEWTONS [1.0 LBS]. NO INDIVIDUAL NICKED TOWER SHALL INCREASE THIS FORCE BY OVER 2.2 NEWTONS [0.5 LBS].

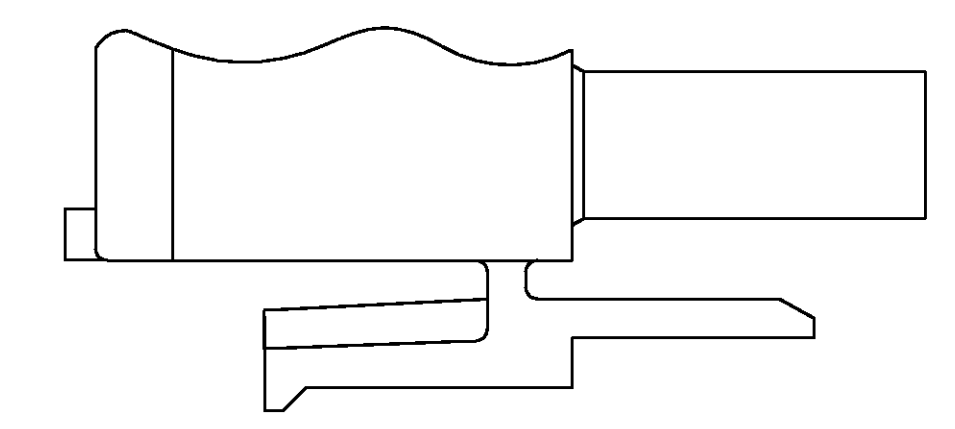
- 3 DIMENSION INDICATED IS AS MOLDED. ADDITIONAL GROWTH DUE TO SUBSEQUENT MOISTURE ABSORPTION MAY OCCUR.
- 4 FOUR RIBS EQUALLY SPACED, NO SPECIFIC ORIENTATION. NO RIBS OR SIX RIBS EQUALLY SPACED, NO SPECIFIC ORIENTATION, OPTIONAL.
- 5 NOT MANUFACTURED IN U.S.
- 6 UNDERWRITERS RECOGNIZED COMPONENT LOGO AND CSA CERTIFICATION LOGO TO BE LOCATED ONCE ON ANY SIDE OF HOUSING.
- 7 POSITION #1 LOCATOR FEATURE MAY BE ROUND OR OBLONG (AS DEPICTED).



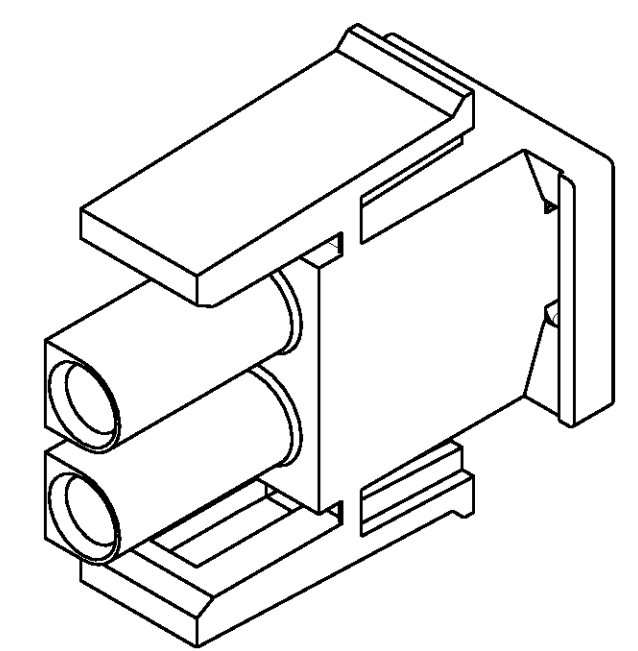
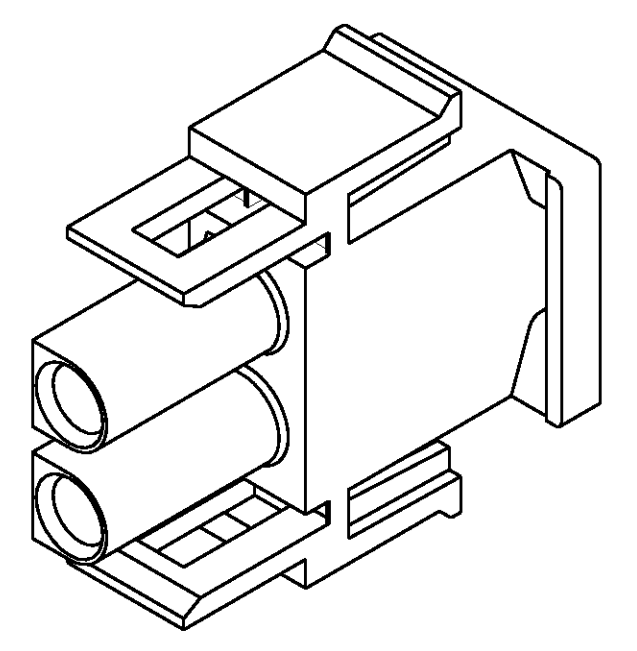
VIEW A-A  
350777-4 ONLY



DETAIL A  
OPTIONAL CONSTRUCTION



DETAIL B  
350777-4 ONLY



MM	IN
27.43	1.080
14.73	.580
13.97	.550
11.68	.460
7.62	.300
0.38	.015
0.13	.005
MM	IN

CONVERSION TABLE

METRIC

350777-4
350777-1
PART NUMBER

<small>THIS DRAWING IS A CONTROLLED DOCUMENT AND IS UNPUBLISHED. IT IS SUBJECT TO CHANGE AND THE CONTROLLING ENGINEERING DEPARTMENT SHALL BE CONTACTED FOR THE LATEST REVISION.</small>		DWN: VESTAL 1-24-95 CHK: SWING 1-24-95 APP'D: SELF 1-24-95 PRODUCT SPEC: -- APPLICATION SPEC: -- HEIGHT: --	AMP Incorporated Harrisburg, PA 17105-3608 PLUG, 2 CIRCUIT, UNIVERSAL MATE-N-LOK™
DIMENSIONS: mm TOLERANCES UNLESS OTHERWISE SPECIFIED: 0 PLG ± 1 PLG ± 2 PLG ±0.13 3 PLG ± 4 PLG ± ANGLES FINISH: 10°/30°	SIZE: A1 CAGE CODE: 00779 DRAWING NO: C=350777 SCALE: 4:1 SHEET: 1 OF 1 REV: AB	CUSTOMER DRAWING	AMP