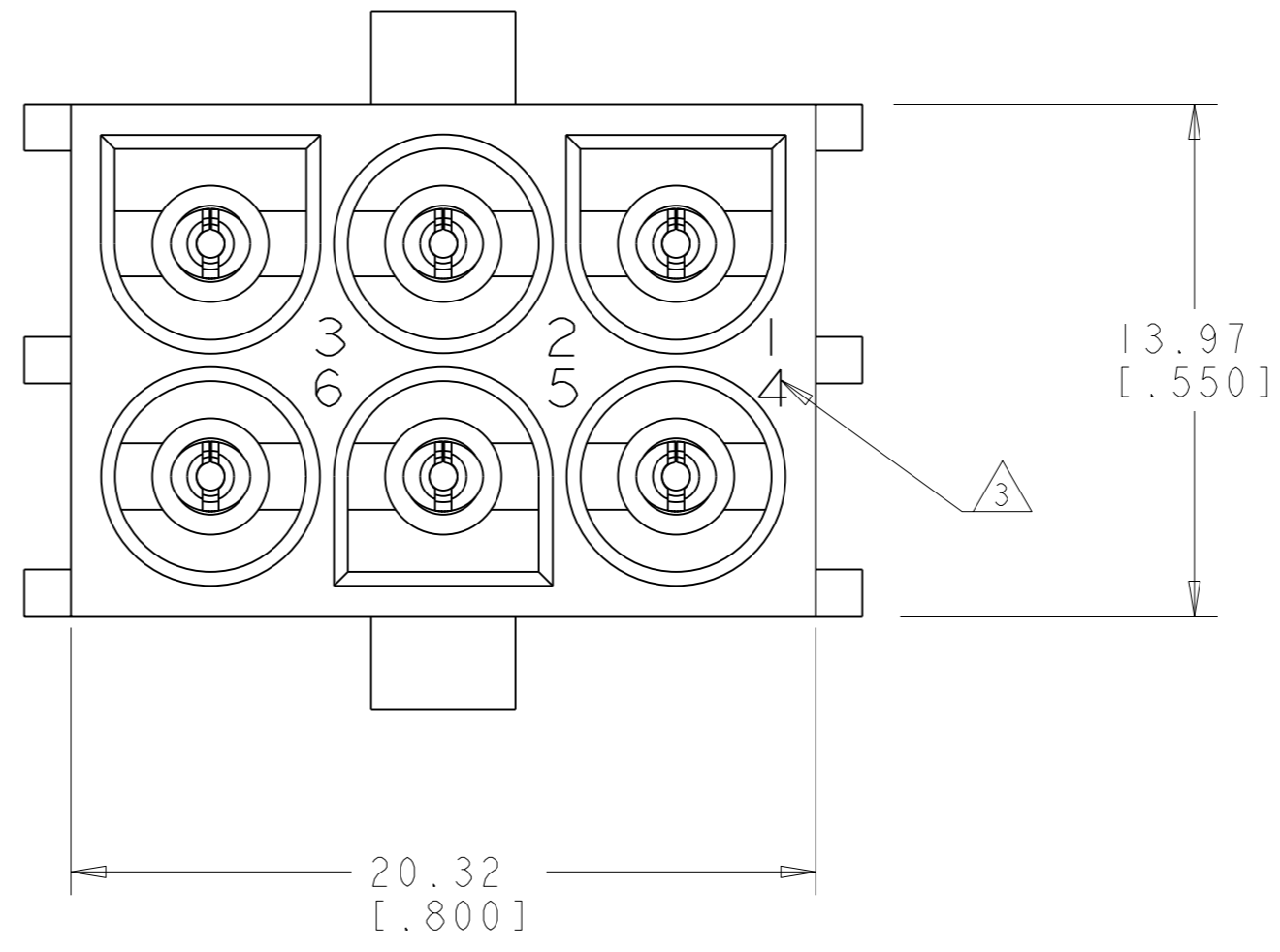
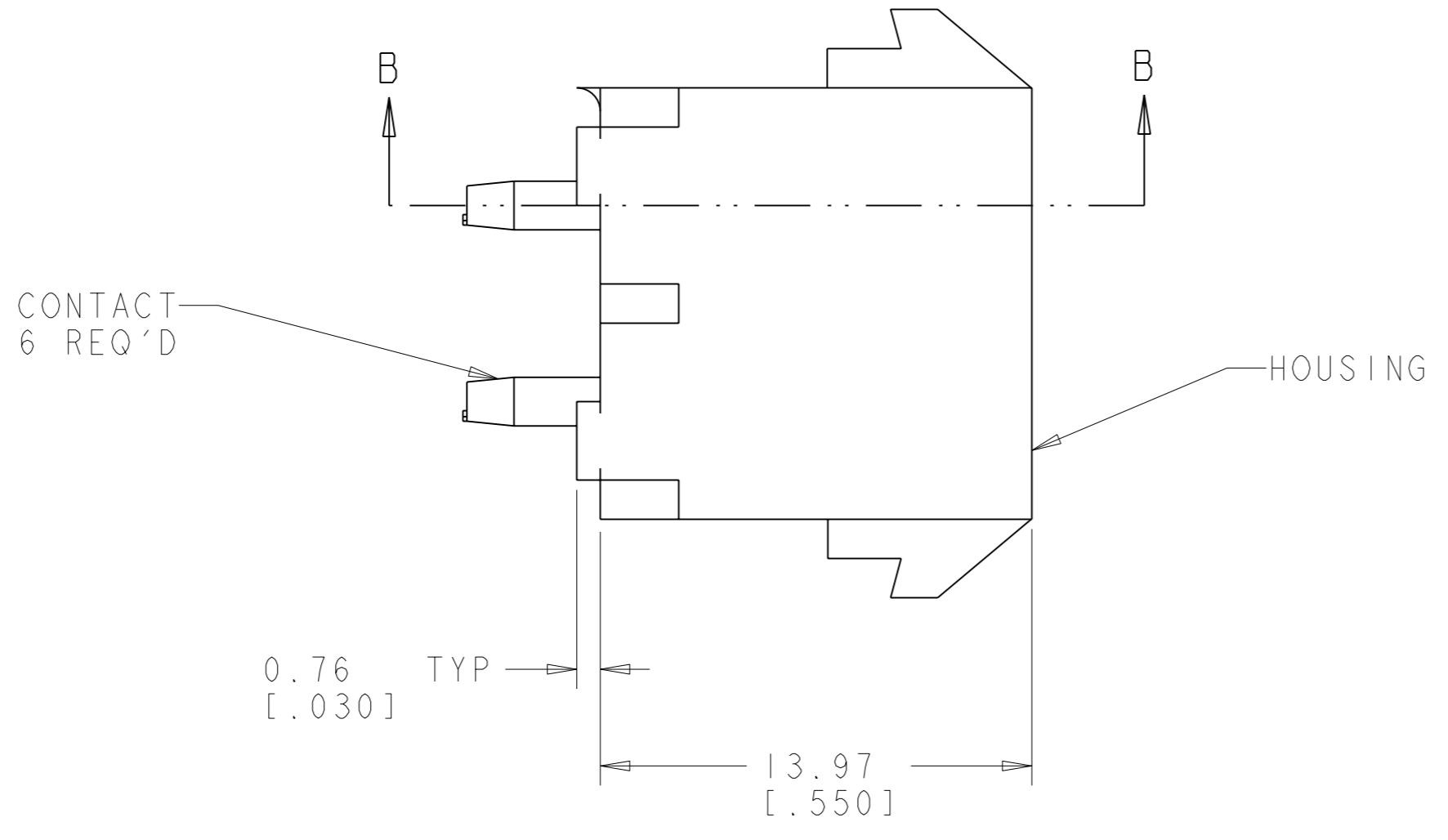
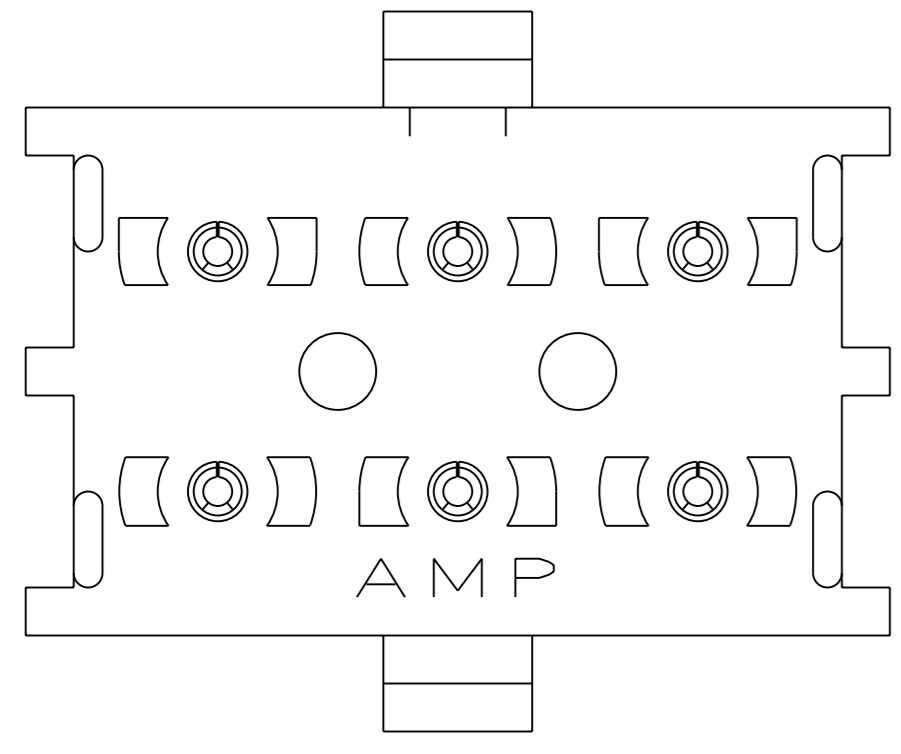
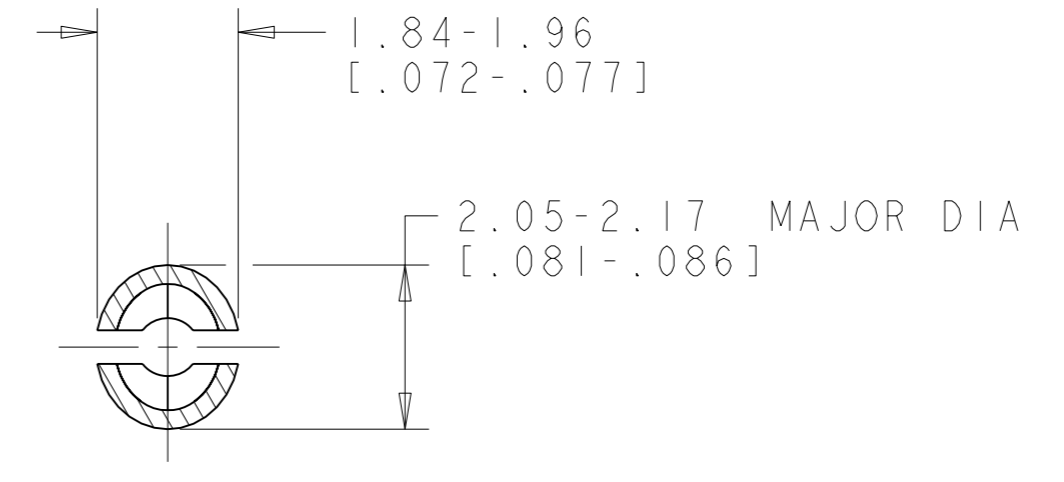
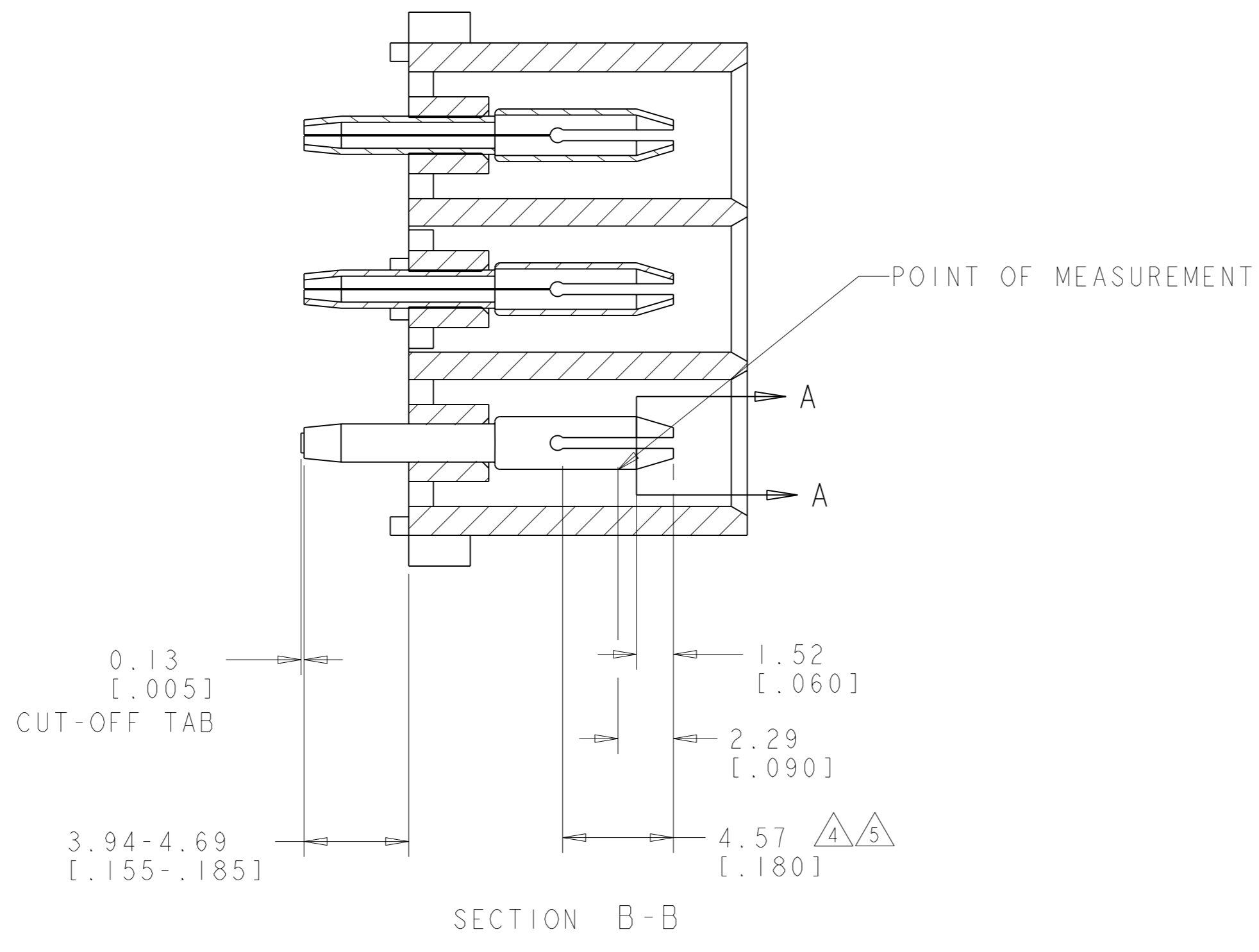


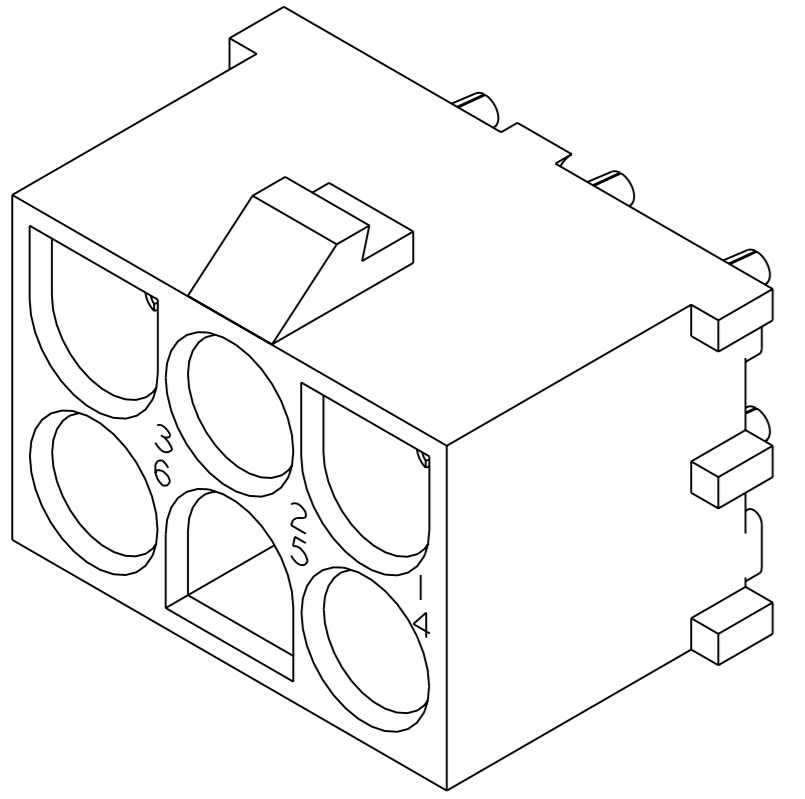
LOC		DIST		REVISIONS			
F	LYR	DESCRIPTION	DATE	DWN	APVD		
R		REVISED PER 0G3B-1100-04	21JULY05	KW	SR		
R1		REVISED PER ECO-05-010045	02MARD06	KW	SR		
R2		REVISED PER ECO-06-004897	03MARD06	KW	SR		



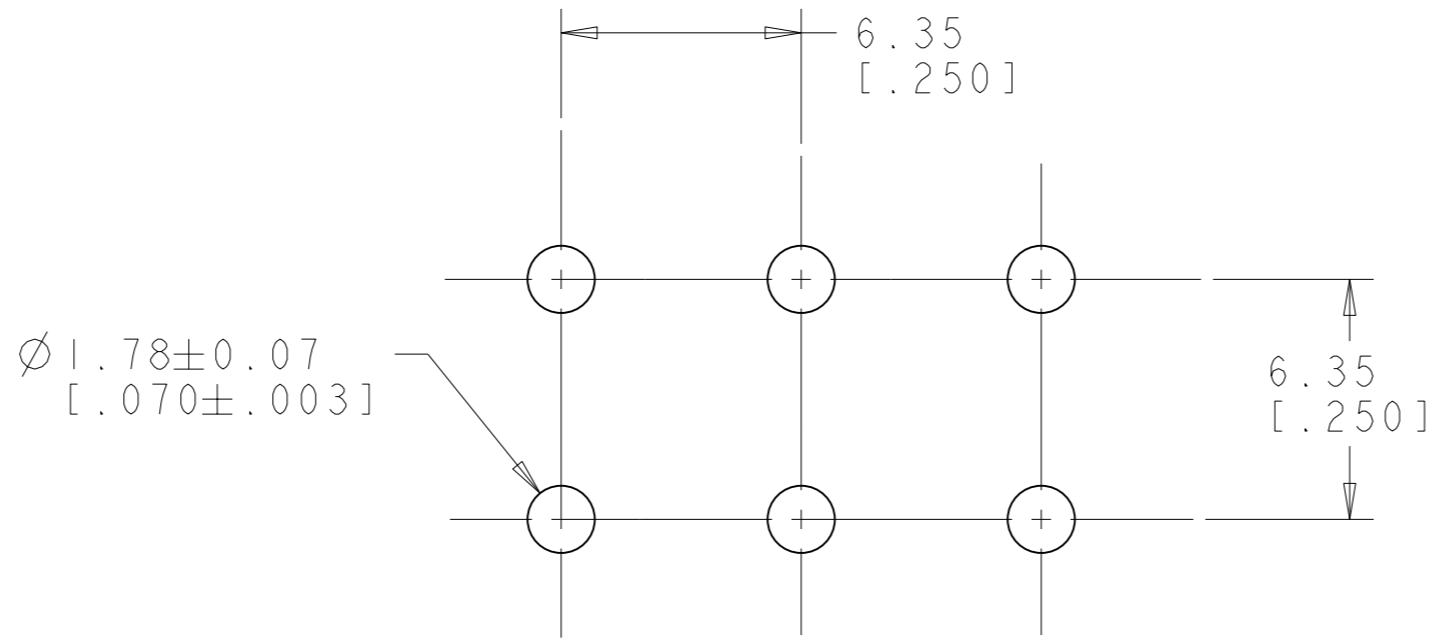
1. PARTS MATE WITH HOUSING 480704.
2. PARTS COMPLY TO AMP SOLDERABILITY SPECIFICATION 109-11-3.
3. CIRCUIT IDENTIFICATION CHARACTERS ARE ADJACENT TO THE INDICATED CAVITIES, BUT LOCATION AND ORIENTATION MAY DIFFER FROM PRINT.
4. CONTACT IS PLATED OVERALL WITH 0.00127 [.000050] NICKEL, THEN 0.00076 [.000030] GOLD OVER CONTACT LENGTH INDICATED AND TIN LEAD ON SOLDER TAIL END.
5. CONTACT IS PLATED OVERALL WITH 0.00127 [.000050] NICKEL, THEN 0.00076 [.000030] GOLD OVER CONTACT LENGTH INDICATED AND MATTE TIN ON SOLDER TAIL END.
6. DIMENSIONS IN BRACKETS ARE IN INCHES.



SECTION A-A
SCALE 10:1

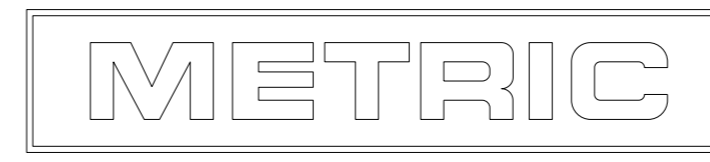


3 DIMENSIONAL MODEL
SCALE 4:1



RECOMMENDED MOUNTING HOLE PATTERN
FOR 1.57 [.062] THICK P.C. BOARD

PHOSPOR BRONZE, GOLD Δ	NYLON, UL94V-0, NATURAL	350711-4
PHOSPOR BRONZE, GOLD Δ	NYLON, UL94V-0, NATURAL	350711-2
PHOSPOR BRONZE, PRE-TIN	NYLON, UL94V-0, NATURAL	350711-1
PIN CONTACT MATERIAL AND FINISH	HOUSING MATERIAL AND COLOR	PART NUMBER



DWN: K. WHITAKER 18JULY2005		Tyco Electronics Harrisburg, PA 17105-3608	
CHK: S. RIDGILL 18JULY2005		NAME: PIN HEADER ASSEMBLY, 6 CIRCUIT, UNIVERSAL MATE-N-LOK(TM)	
APVD: S. RIDGILL 18JULY2005		SIZE: A	CAGE CODE: 00779
APPLICATION SPEC		SCALE: 1:1	SHEET 1 OF 1
MATERIAL: SEE TABLE		WEIGHT: -	REV: R2
FINISH: SEE TABLE		CUSTOMER DRAWING	