

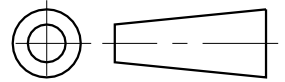
DO NOT SCALE

DIMENSIONS IN INCH

INCH

THIRD ANGLE

PROJECTION

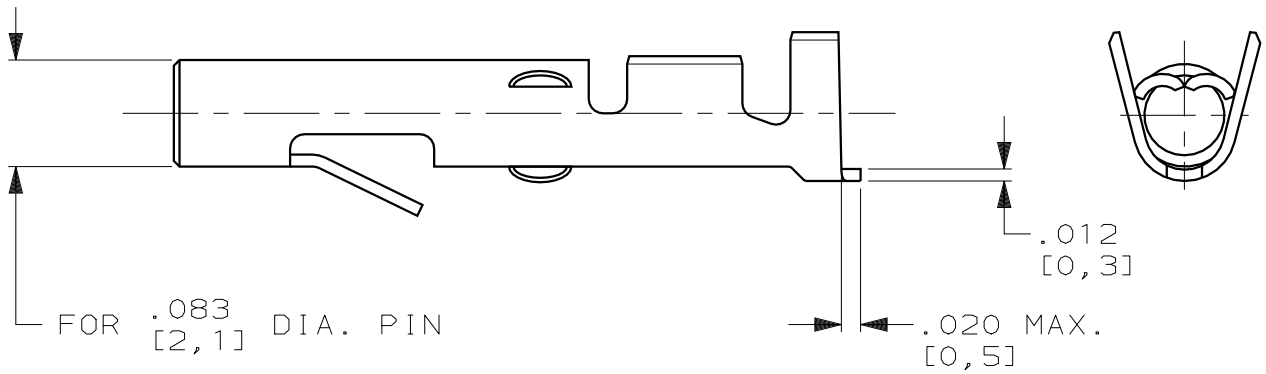
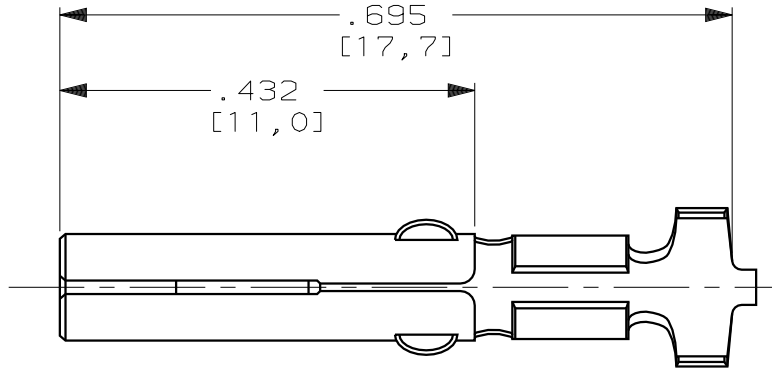


WIRE RANGE :

0,5-1,0mm² AWG

INSULATION RANGE :

.070-.130
(1,8-3,3) DIA.



	PRE TIN	Ph BRONZE	163304-4
	NONE	Ph BRONZE	163304-3
	PRE TIN	BRASS	163304-2
	NONE	BRASS	163304-1
	FINISH	MATERIAL	PARTNUMBER

-	-	-	-	-	<p>CUSTOMER DRAWING FOR REFERENCE ONLY WILL NOT BE UPDATED</p>
-	-	-	-	-	
-	-	-	-	-	
-	-	-	-	-	
-	-	-	-	-	
-	-	-	-	-	
D	-	DK	PAUL	-	
LTR.	REVISION RECORD	DR.	CHK.	DATE	

DR. : D.KESSLER	CHK. : P.BEIJNON	APP. : -	DWG.No. 163304	REV.LTR. D	SHEET 1 OF 1	A4
DATE : -	DATE : -	DATE : -				