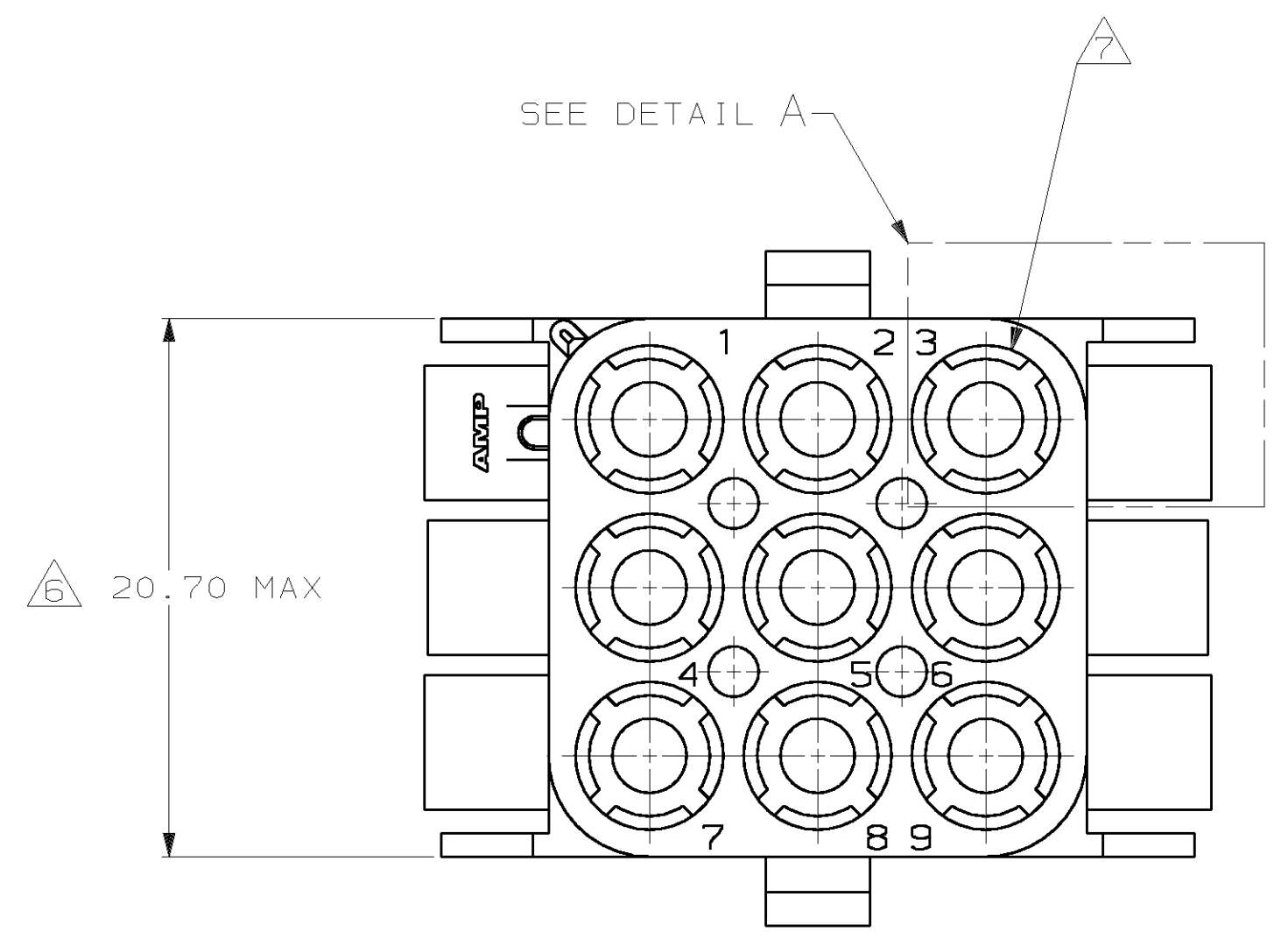
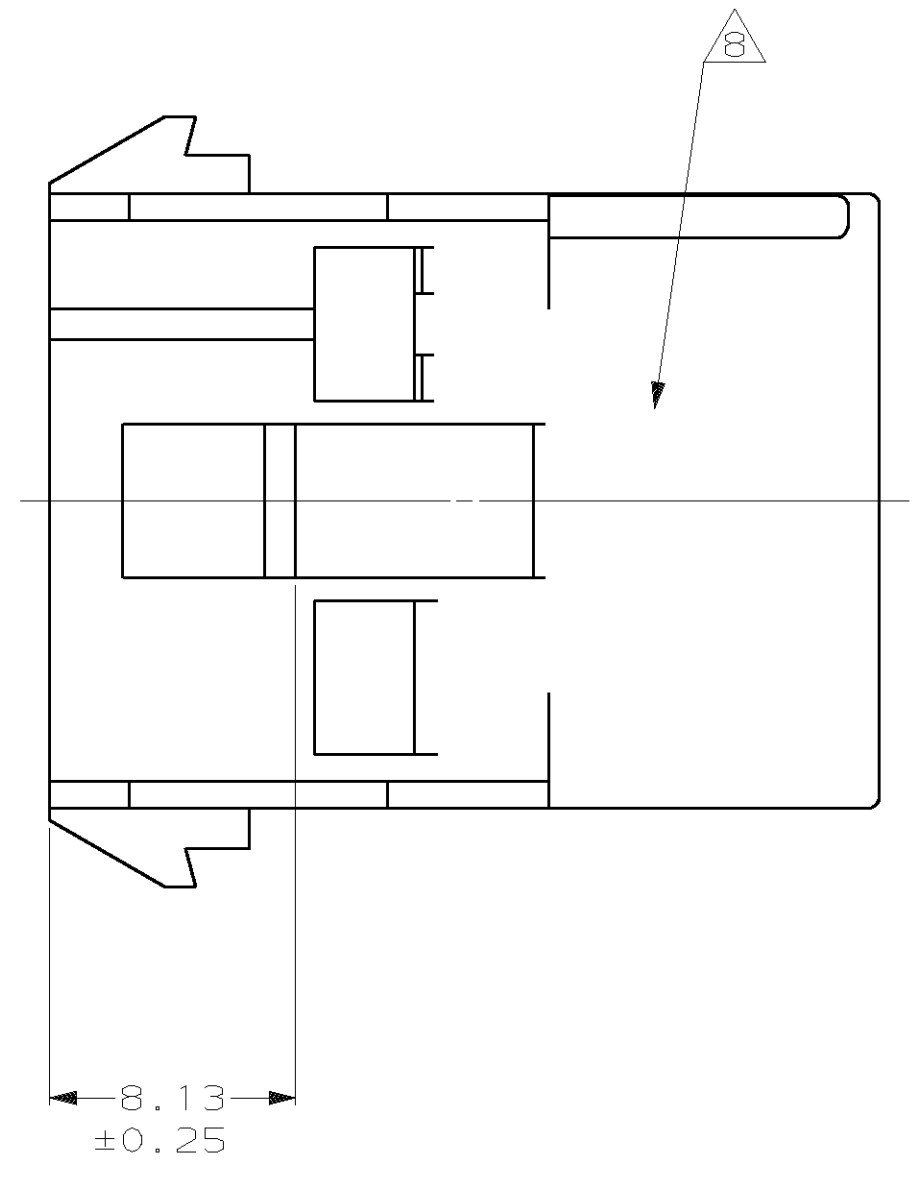
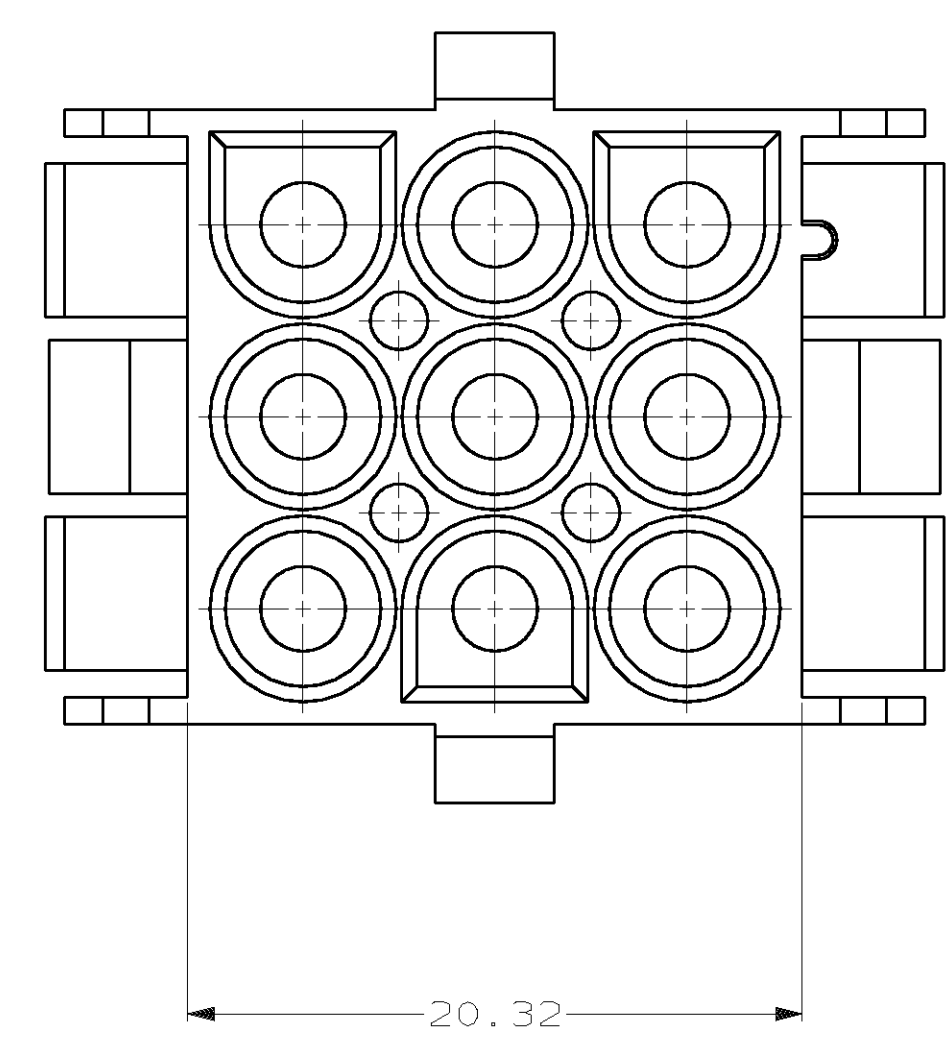
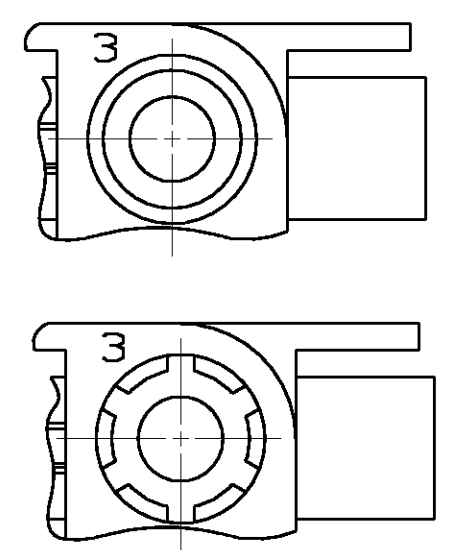


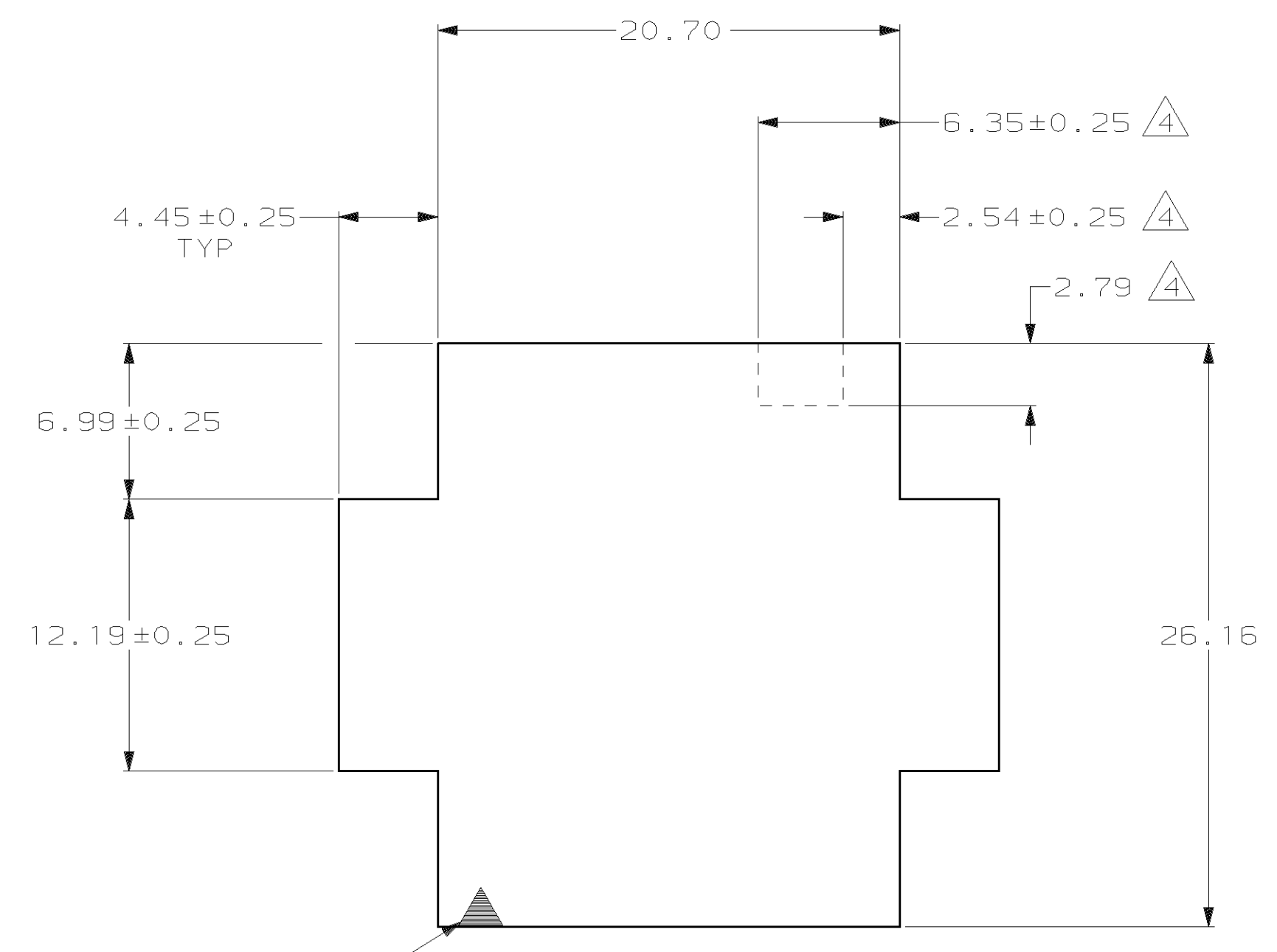
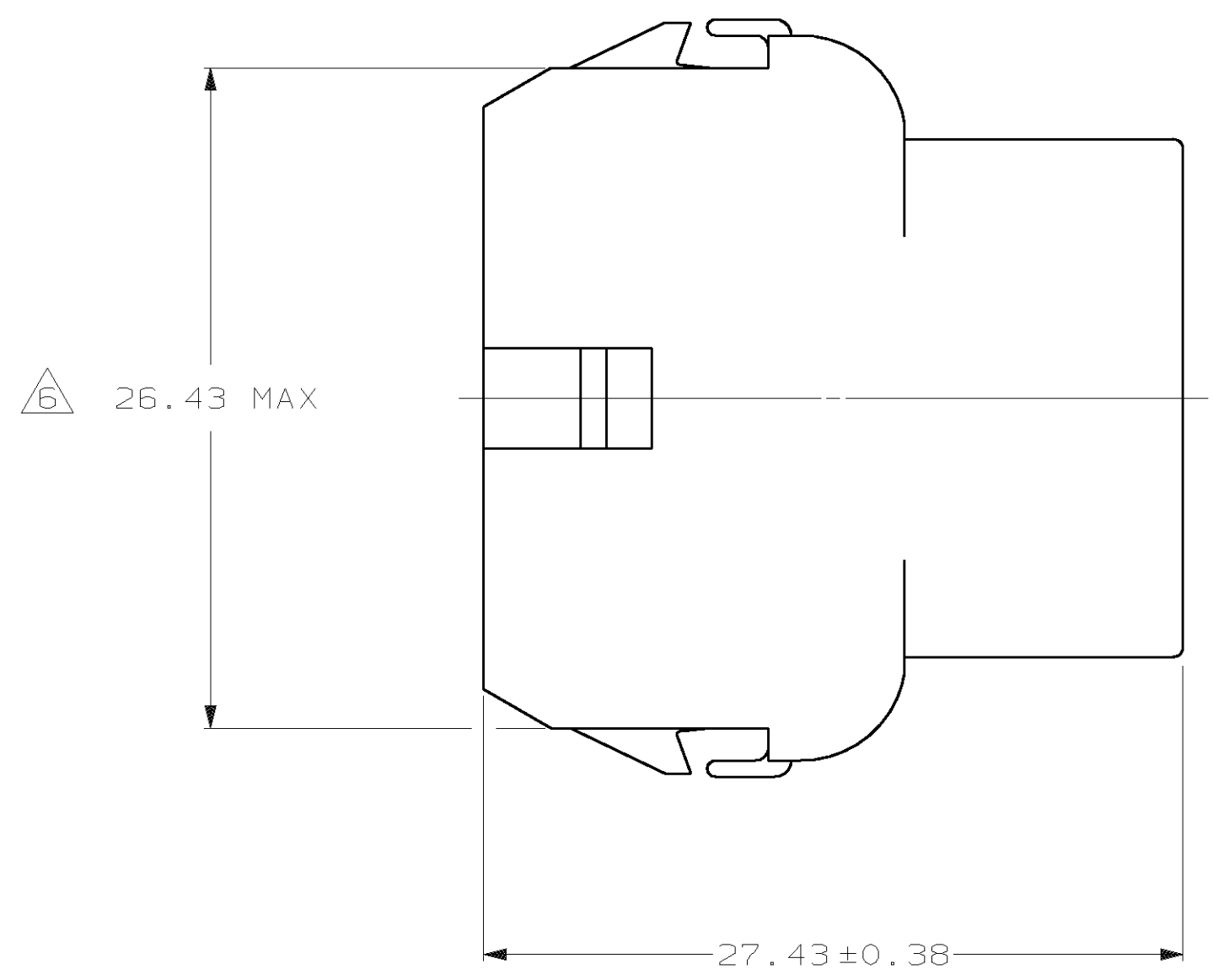
LOC		DIST		P		ZONE		LTR		REVISIONS		DATE	APPD
CM	53									DESCRIPTION			
										V	REV PER EC 0G1B-0229-98	17-FEB-99	JH RS



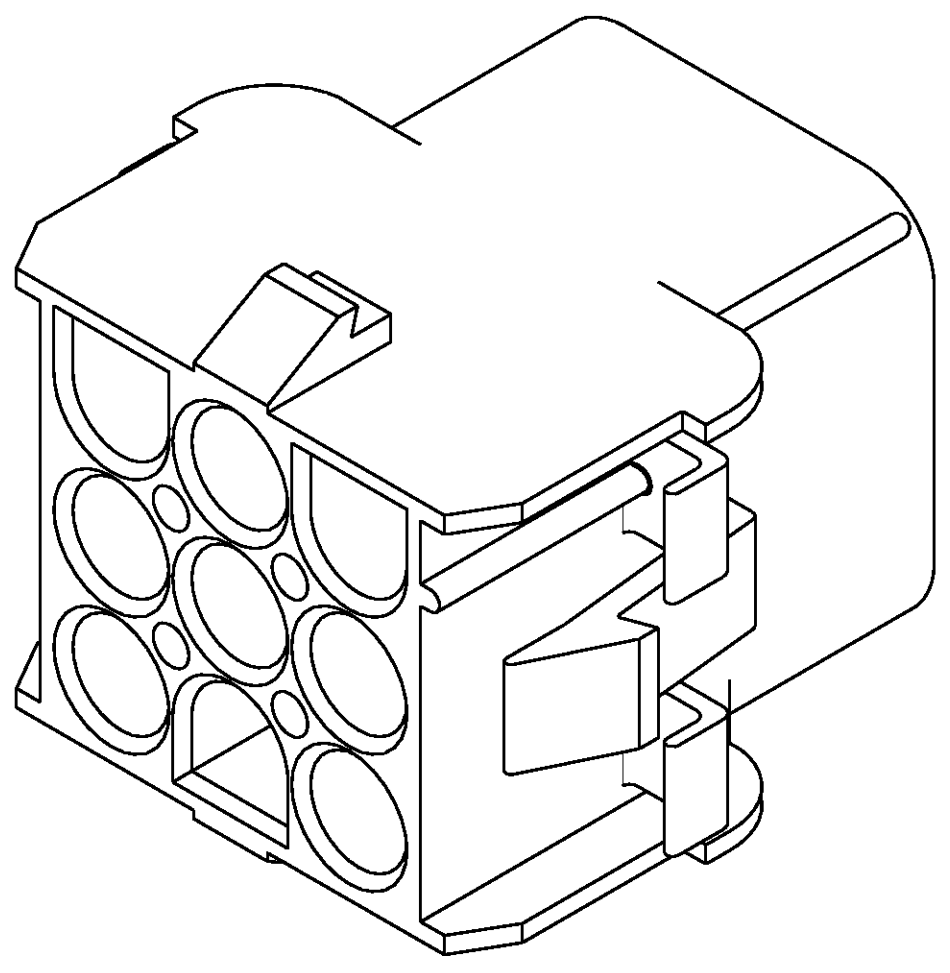
- MATES WITH APPROPRIATE UNIVERSAL MATE-N-LOK™ PLUG.
 - RECOMMENDED PANEL THICKNESS 0.76 - 2.29.
 - PANEL MUST BE PUNCHED SO THAT THE HOUSING ENTERS THE PANEL IN THE SAME DIRECTION AS THE PUNCH.
- △ 4 OPTIONAL FOR KEYING HOUSING IN PANEL.
 - △ 5 CIRCUIT NUMBER 1 LOCATION.
 - △ 6 DIMENSION REPRESENTS POTENTIAL MAXIMUM GROWTH DUE TO MOISTURE ABSORPTION.
 - △ 7 FOUR RIBS EQUALLY SPACED, NO SPECIFIC ORIENTATION. NO RIBS OR SIX RIBS EQUALLY SPACED, NO SPECIFIC ORIENTATION, OPTIONAL.
 - △ 8 UNDERWRITERS RECOGNIZED COMPONENT LOGO AND CSA CERTIFICATION LOGO TO BE LOCATED ONCE EACH ON SIDE OF HOUSING.



DETAIL A
 OPTIONAL CONSTRUCTIONS



RECOMMENDED PANEL CUT OUT



3-DIMENSIONAL MODEL
 NTS

MM	IN	MM	IN
6.35	.250	27.43	1.080
4.45	.175	26.43	1.041
2.79	.110	26.16	1.030
2.54	.100	20.70	.815
2.29	.090	20.32	.800
0.76	.030	12.19	.480
0.38	.015	8.13	.320
0.25	.010	6.99	.275
MM	IN	MM	IN

CONVERSION TABLE

METRIC

THIS DRAWING IS A CONTROLLED DOCUMENT FOR AMP INCORPORATED. IT IS SUBJECT TO CHANGE AND THE CONTROLLING ENGINEERING ORGANIZATION SHOULD BE CONTACTED FOR THE LATEST REVISION.

DO NOT SCALE PRINT. UNLESS SPECIFIED DIMENSIONS IN mm [INCHES]		DR 6-17-92 K. WHITAKER		AMP Incorporated Harrisburg, PA 17105-3508	
TOLERANCES ON: 2 PLC DEC ± 0.38 3 PLC DEC ± - ANGLES ± 1°0'		CHK 6-17-92 R. SWING			
MATERIAL NYLON, UL 94V-0		APPD 6-22-92 D. SELF		NAME CAP, 9 CIRCUIT, UNIVERSAL MATE-N-LOK™	
FINISH -		APPD 6-17-92 D. SELF		SIZE D	
-		PRODUCT SPEC -		CAGE CODE 00779	
-		APPLICATION SPEC -		DRAWING NO C-350782	
-		WEIGHT -		SCALE 4:1	
				SHEET 1 OF 1	

350782-1
 PART NO