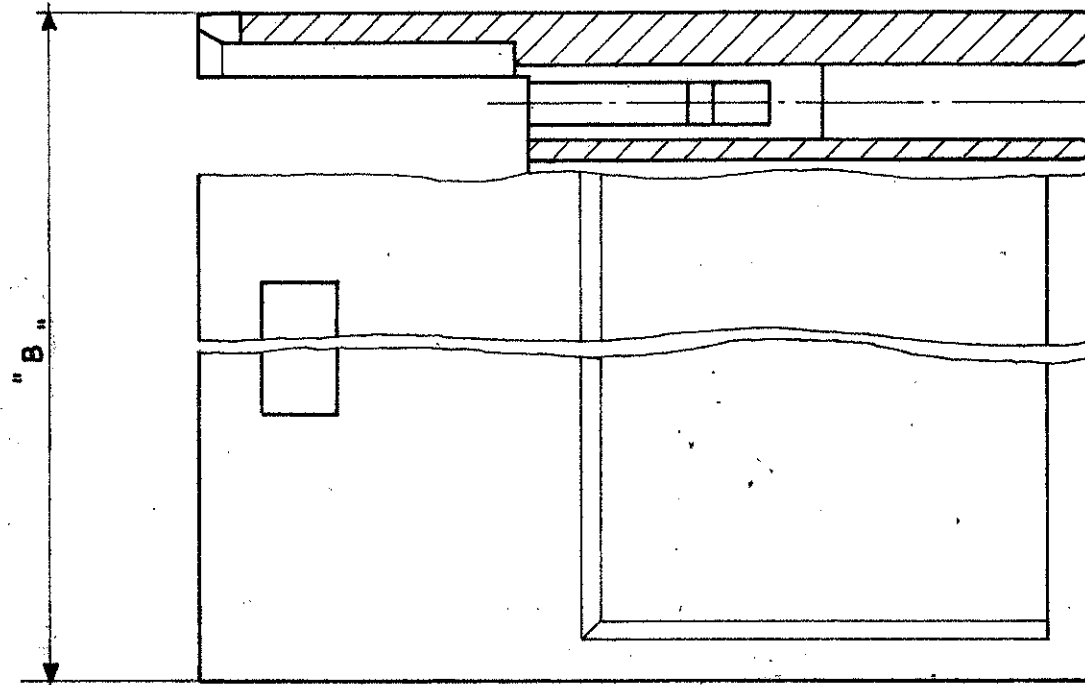
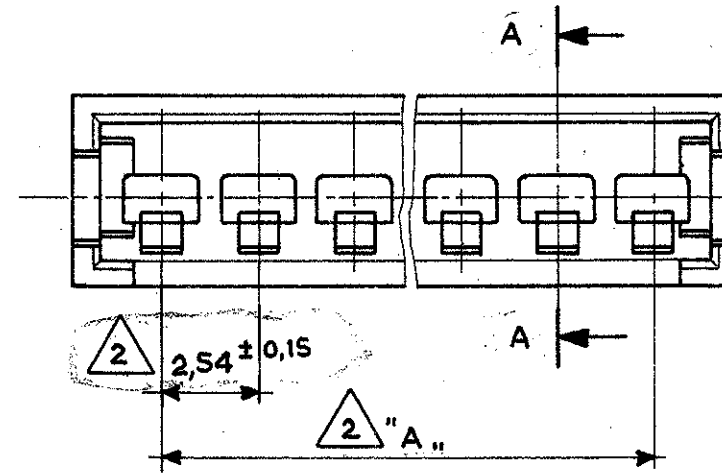
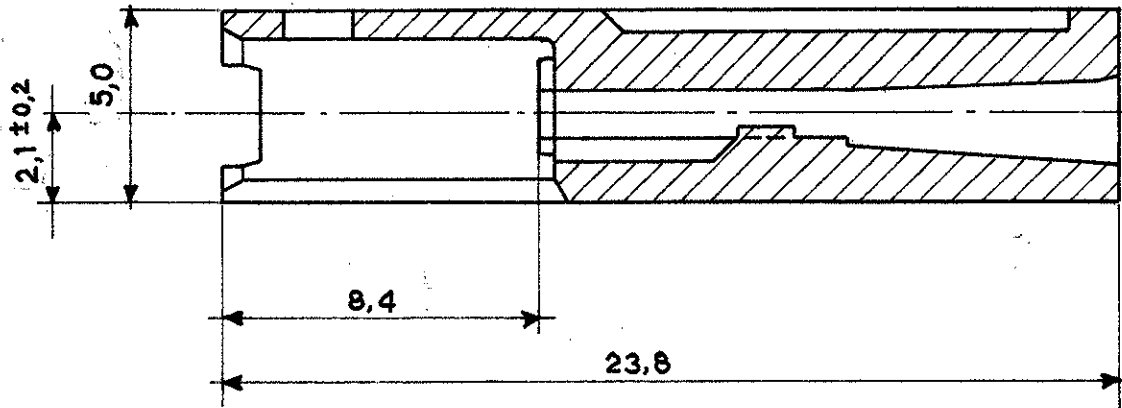


Sezione A-A  
(Section)



Note: (Notes)

- 1 Noryl (UL94-VI) Colore Nero (Black Colour).
- 2 Tolleranza non Cumulativa. (Non-Cumulative Tolerance.)
- 3 PA 6.6 15% g.f. masterizzato Rosso (PA 6.6 15% g.f. masterized - RED)
- 4 OBSOLETE PARTS: OBSOLETE CIS STREAMLINING PER D.RENAUD/D.SINISI
- 5 OBSOLETE

4	OBSOLETE
2	OBSOLETE

N° Pos.	Part. Number	Dim. "A"	Dim. "B"	Mat.
4	284072-1	7,62	12,5	
2	<del>284071-1</del>	2,54	7,4	
22	280636	53,34	58,2	
15	280635	35,56	40,4	
12	280634	27,94	32,8	
10	280633	22,86	27,7	
9	<del>280632</del>	20,32	25,1	
8	280631	17,78	22,6	
6	280630	12,70	17,5	
4	280629	7,62	12,5	
2	280628	2,54	7,4	

FINITURA / COLORE (FINISH / COLOUR)		MATERIALE (MATERIAL)		NUMERO (PART NUMBER)	
<b>CUSTOMER DWG.</b>		<b>DISEGNO PER CLIENTE</b>			
FOR REFERENCE ONLY		SOLO PER RIFERIMENTO			
THIS DRAWING IS UNPUBLISHED			RELEASE FOR PUBLICATION		
© COPYRIGHT 19 BY TE INCORPORATED, HARRISBURG, PA ALL INTERNATIONAL RIGHT RESERVED TE PRODUCTS MAY BE COVERED BY U.S. AND FOREIGN PATENT AND/OR PATENT PENDING					
TOLLERANZE: SE NON DIVERSAMENTE SPECIFICATO (TOLERANCES UNLESS OTHERWISE SPECIFIED)		DIAM. ISOLANTE (INS. DIA. RANGE)		RANGO FILO (WIRE RANGE)	
± 0,3				SCALA (SCALE)	
ANGOLI (ANGLES) ± 2°				5:1	
H4 ECR-10-022530		KK 14FEB11			
H3 REVISED PER ECO-10-000445		KK JAN10			
H2 RELEASED FOR PRODUCTION DWG 284071-1 & 284072-1 ETD-01000000		DIS. (DR.) Bassano 29 <sup>th</sup> 9-86			
H1 Addid. PNE per EC-ET00-04877		CONT. (CHK) [Signature]			
2 Revised note		10.7.86			
1 Revised and Redrawn		29.9.86			
REV. (REVISION RECORD)		DIS. DATA (DR) (DATE)		APP. (APP.)	
				LOC. SIZE NUMERO (DWG NO) 280628	
				REV. H4	
				FOGLIO (SHEET) 1 (OF 1)	
				IA3 C - (Master Dwg.)	