

THIS DRAWING IS UNPUBLISHED.

RELEASED FOR PUBLICATION

---

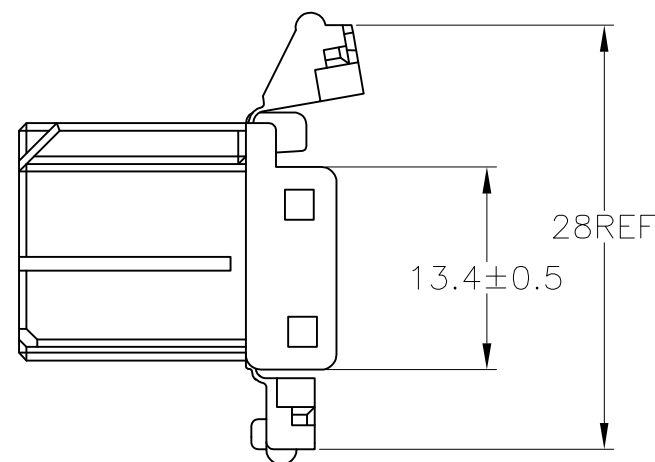
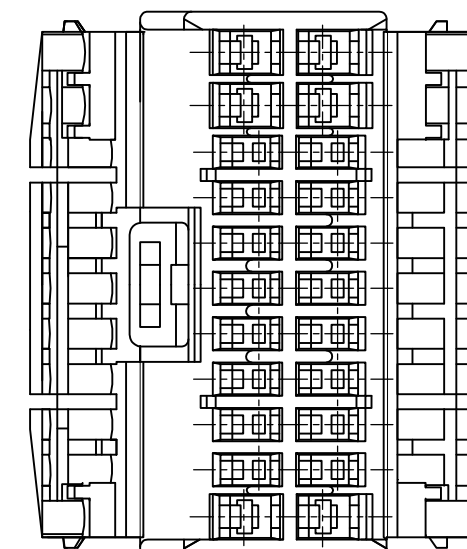
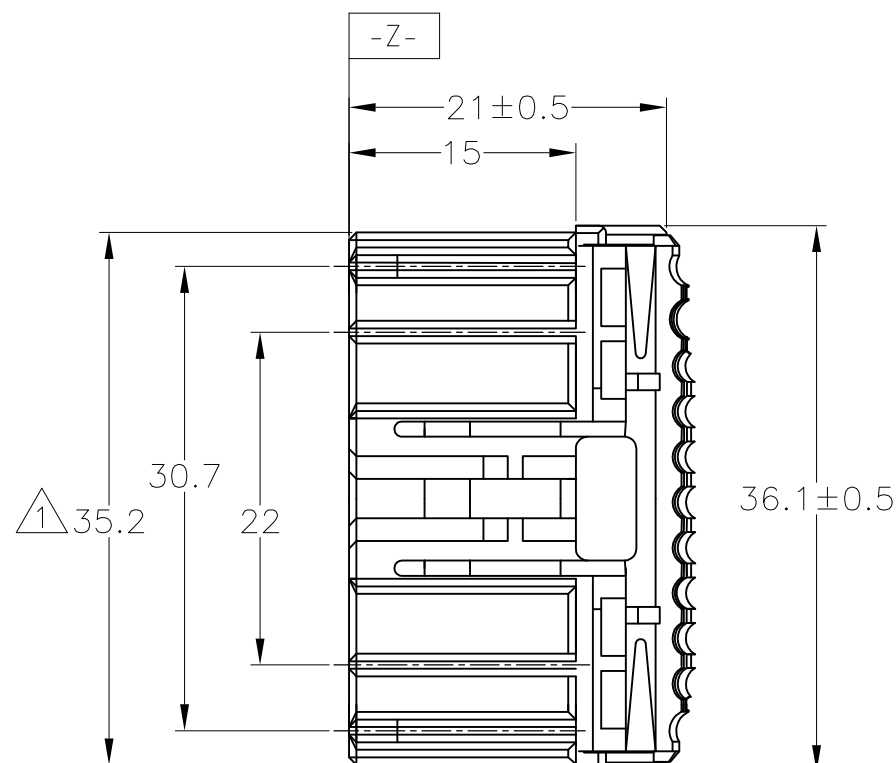
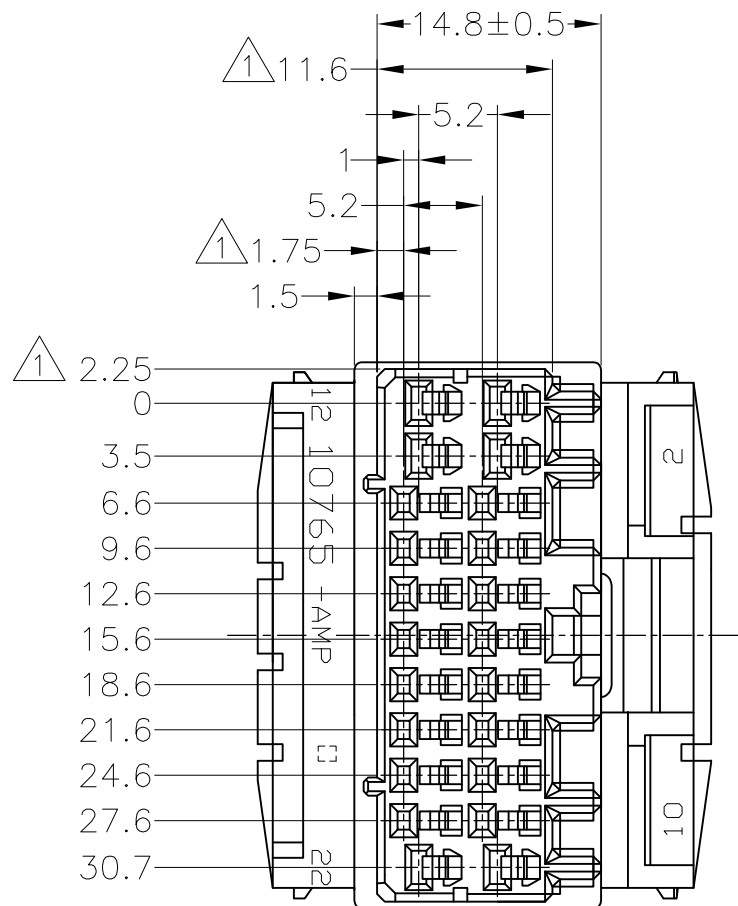
ALL RIGHTS RESERVED.

© COPYRIGHT - By -

LOC J DIST -

REVISIONS

P	LTR	DESCRIPTION	DATE	DWN	APVD
	D2	REVISED PER ECO-11-005140	28MAR11	RK	HMR



- 1. MUST BE KEPT BETWEEN [-Z-] AND 2mm.
- 2. THE MATING CAP HOUSING PART NUMBER ; 174518
- 3. APPLIED CONTACT PART NUMBER ; 173631, 173716, 173630, 175094
- 4. APPLICABLE PRODUCT SPECIFICATION NUMBER ; 108-5280

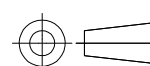
- 1. [-Z-] 面より 2mm の範囲で測定
- 2. 嵌合相手ハウジング型番 ; 174518
- 3. 内装するリセプタクルコンタクト型番 ; 173631, 173716, 173630, 175094
- 4. 適用製品規格番号 ; 108-5280

黄	YELLOW	174515-7
淡灰	LIGHT GRAY	6-174515-6
灰	GRAY	174515-6
青	BLUE	174515-5
白	WHITE	174515-1
色	COLOR	PART NUMBER

TOLERANCE UNLESS OTHERWISE SPECIFIED:	
一般公差	
0 < x ≤ 10	: ±0.2
10 < x ≤ 30	: ±0.25
30 < x ≤ 100	: ±0.3
ANGLE ; 角度	: ±3°

THIS DRAWING IS A CONTROLLED DOCUMENT.

DIMENSIONS: mm



MATERIAL PBT

TOLERANCES UNLESS OTHERWISE SPECIFIED:

0 PLC	± -
1 PLC	± -
2 PLC	± -
3 PLC	± -
4 PLC	± -
ANGLES	± -
FINISH	-

DWN T.SHINOHARA 06SEP10

CHK K.BETSUI 06SEP10

APVD K.BETSUI 06SEP10

PRODUCT SPEC

SEE NOTE 4

APPLICATION SPEC

WEIGHT -

CUSTOMER DRAWING

NAME

SIZE CAGE CODE DRAWING NO RESTRICTED TO

A3 00779 C-174515

SCALE 2:1 SHEET 1 OF 1 REV D2

STE TE Connectivity

HYBRID I/O CONNECTOR 22 POSITION PLUG HOUSING