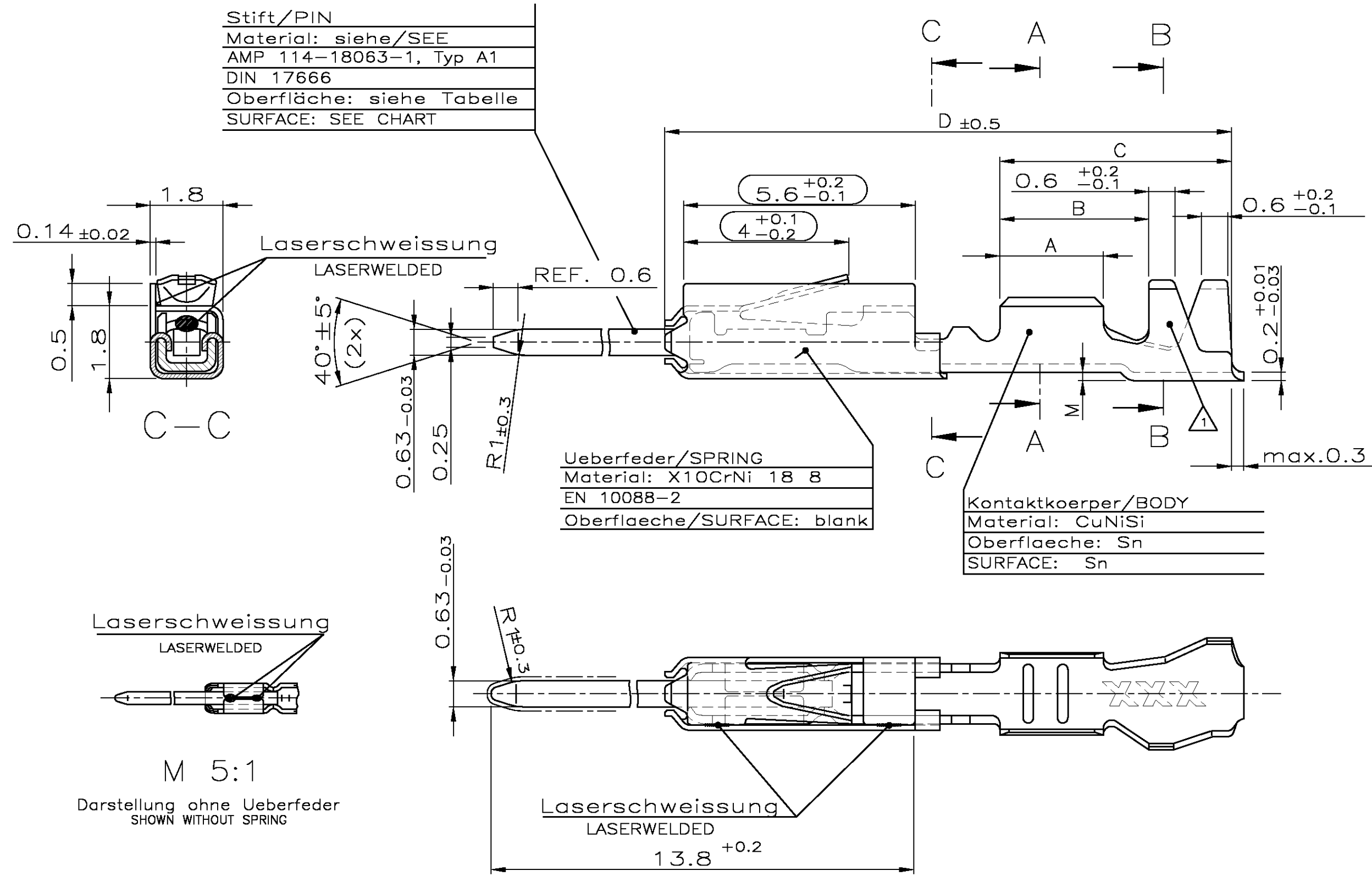


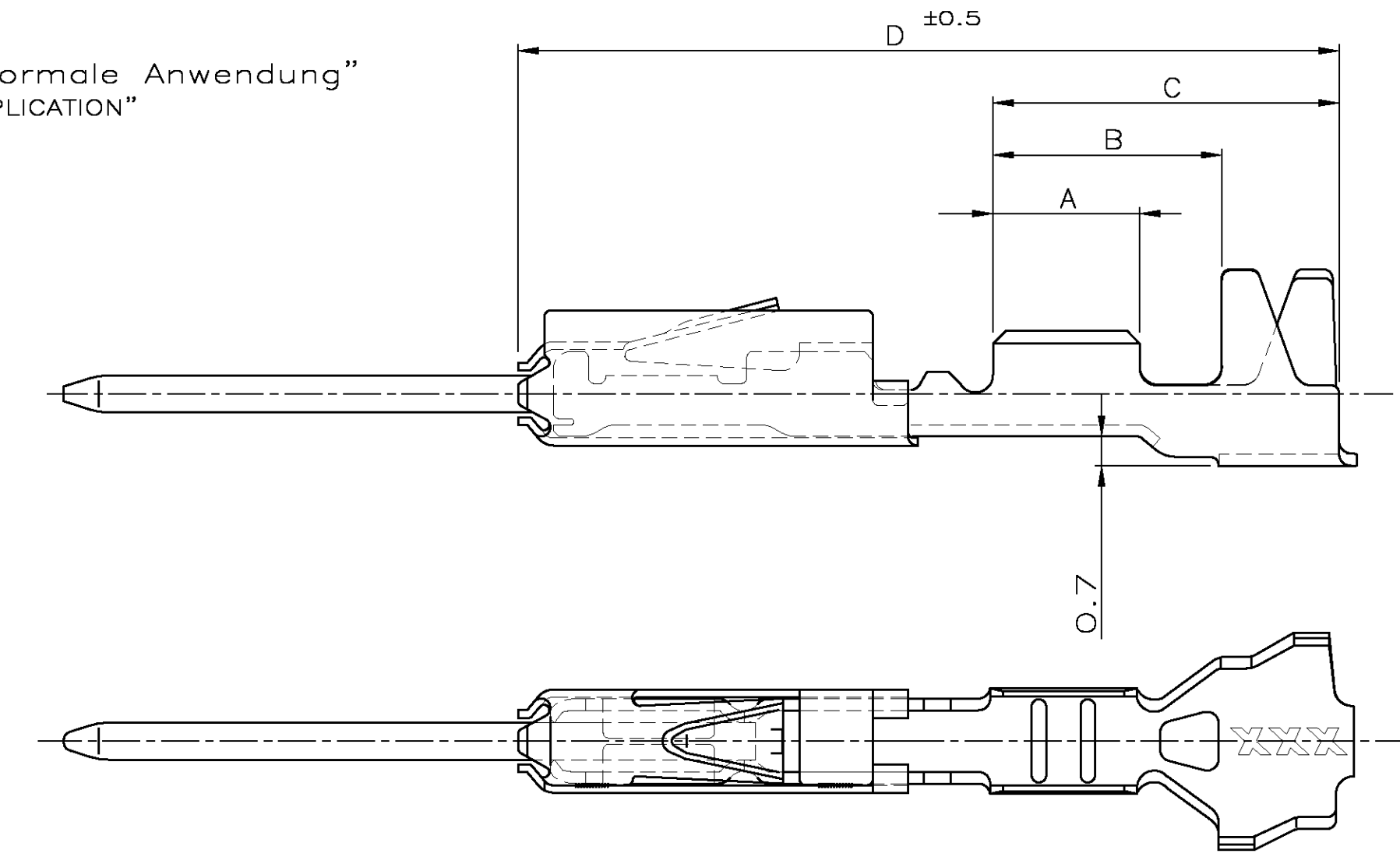
Normale Anwendung USUAL APPLICATION



M 5:1
Darstellung ohne Ueberfeder
SHOWN WITHOUT SPRING

Einzel-Dichtungs-System SINGLE-WIRE-SEAL-SYSTEM

Fehlende Masse und Angaben siehe "Normale Anwendung"
MISSING DIMENSIONS AND NOTES SEE "USUAL APPLICATION"

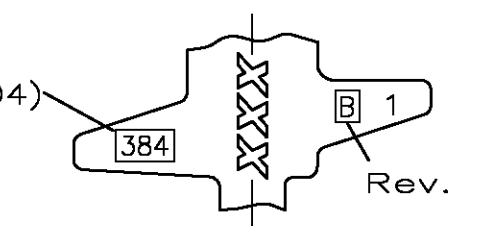


Ausfuehrung ohne Ueberfeder WITHOUT SPRING

Fehlende Masse und Angaben siehe "Normale Anwendung"
MISSING DIMENSIONS AND NOTES SEE "USUAL APPLICATION"

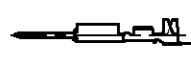
Bemerkungen NOTES

- Datumscode (Woche / Jahr ,z.B. KW38 / Jahr 2004) und Tyco-Revision (z.B. Rev.B)
DATE-CODE (WEEK / YEAR (E.G.WEEK NUMBER 38 / YEAR 2004) AND TYCO REVISION (E.G. REV. B))
- Passend zu Buchsenkontakt siehe Zeichnung: AMP:929454
SUITABLE FOR SOCKET CONTACT SEE DRAWING:
- Recyclingklasse nach BMW N113 99.0 R3
RECYCLINGCLASS TO
- Einzelheiten der Ausfuehrung bleiben dem Hersteller ueberlassen
DETAILS OF DESIGN ARE LEFT TO MANUFACTURER
- Nur fuer FLR-Leitung nach DIN 72551, Teil 6
FOR FLR-CONDUCTOR ACCORDING TO DIN 72551-6 ONLY
- Gereelte Ausfuehrung:
REELED VERSION: AMP: 963379-7
- Gereelte Ausfuehrung:
REELED VERSION: AMP: 963379-6
- Bei 0.5mm²-Leitung im Airbagpfad ist die Verwendung der Kontakte fuer Drahtgroessenbereich 0.5 ... 0.75mm² vorgeschrieben
FOR 0.5mm²-WIRE IN AIRBAG-APPLICATIONS THE CONTACT FOR WIRE-SIZE 0.5 ... 0.75mm² IS PRESCRIBED



AMP BESTELL-NR. ORDER NO.	REV.	Einzelueberfeder LOOSE PRICE AMP-BESTELL-NR. AMP-ORDER-NO.	Ueberfeder vorhanden? SPRING AVAILABLE?	DGB WIRE-SIZE-RANGE [mm ²]	Oberflaeche SURFACE	Laenge LENGTH	Drahtcrimp WIRE CRIMP	Insul.Crimp INSUL.CRIMP	GEWICHT WEIGHT [g]	Verarbeitung APPLICATION	DGB [mm ²]	Isolations- DIA. [mm]	fuer Kammer- FOR CAVITY-DIA. 3.45mm	fuer Kammer- FOR CAVITY-DIA. 4mm			
965 908-2	D	965 909-2	Ja / YES	0.5 - 0.75	Au	A = 2.8 B = 4.2 C = 6.2 D = 14.3	E = 2 G = 2.1 D _{br} = 1	H = 3.5 K = 3.4 L = 1.5 D _{is} = 2.4	0.18	siehe Verarbeitungs- spezifikation SEE APPLICATIONSPEZ.	0.75	1.4-1.9	AMP: 967067-1	blau BLUE	AMP: 963143-1	weiss WHITE	
965 908-1	C	965 909-1	Ja / YES	0.5 - 0.75	Sn	A = 2.5 B = 3.9 C = 5.9 D = 14	E = 1.8 G = 1.8 D _{br} = 0.8	H = 3.5 K = 3.4 L = 1.5 D _{is} = 2.4	0.12	siehe Verarbeitungs- spezifikation SEE APPLICATIONSPEZ.	0.5	0.9-1.4	AMP: 967067-2	gruen GREEN	AMP: 963142-1	schwarz BLACK	
1-962 886-1	N	-	Nein / NO	0.25 - 0.5	Sn	A = 2.5 B = 3.7 C = 5.4 D = 13.7	E = 1.8 G = 1.8 D _{br} = 0.8	H = 3.5 K = 3.4 L = 1.5 D _{is} = 2.4	0.16	114-18025-0	0.35 0.2	0.9-1.4	AMP: 967067-2	gelb YELLOW	AMP: 963142-2	grau GREY	
928 918-2	W	-	Nein / NO	0.25-0.5	Au	A = 2.5 B = 3.6 C = 5.6 D = 13.7	E = 1.8 G = 1.8 D _{br} = 0.8	H = 2.3 K = 2.3 L = 0.6 D _{is} = 1.4	0.13	siehe Spec. SEE APPL'SPEC.	0.11	114-18021-0	-	-	-	-	
928 918-1	V	-	Nein / NO	0.25-0.5	Sn	A = 2.5 B = 3.6 C = 5.6 D = 13.7	E = 1.8 G = 1.8 D _{br} = 0.8	H = 2.3 K = 2.3 L = 0.6 D _{is} = 1.4	0.11	114-18021-0	0.12	114-18021-0	-	-	-	-	-
1-963 716-2	A	1-963730-2	Ja / YES	0.5 - 0.75	Au	A = 2.8 B = 3.8 C = 5.8 D = 13.7	E = 2 G = 2.1 D _{br} = 1	H = 2.7 K = 2.9 L = 0.7 D _{is} = 1.6	0.17	siehe Verarbeitungs- spezifikation SEE APPLICATIONSPEZ.	0.15	114-18021-0	-	-	-	-	-
963 716-2	W	963730-2	Ja / YES	0.5 - 0.75	Au	A = 2.5 B = 3.5 C = 5.6 D = 13.7	E = 1.8 G = 1.8 D _{br} = 0.8	H = 2.3 K = 2.3 L = 0.6 D _{is} = 1.4	0.15	114-18021-0	0.15	114-18021-0	-	-	-	-	-
963 716-1	V	963730-1	Ja / YES	0.5 - 0.75	Sn	A = 2.5 B = 3.5 C = 5.6 D = 13.7	E = 1.8 G = 1.8 D _{br} = 0.8	H = 2.3 K = 2.3 L = 0.6 D _{is} = 1.4	0.15	114-18021-0	0.15	114-18021-0	-	-	-	-	-
1-928 918-2	W	2-963 725-1	Ja / YES	0.25 - 0.5	Au	A = 2.5 B = 3.7 C = 5.4 D = 13.7	E = 1.5 G = 1.5 D _{br} = 0.65	H = 2 K = 2 L = 0.6 D _{is} = 1.1	0.15	114-18021-0	0.15	114-18021-0	-	-	-	-	-
1-928 918-1	V	1-963 725-1	Ja / YES	0.25 - 0.5	Sn	A = 2.5 B = 3.7 C = 5.4 D = 13.7	E = 1.5 G = 1.5 D _{br} = 0.65	H = 2 K = 2 L = 0.6 D _{is} = 1.1	0.15	114-18021-0	0.15	114-18021-0	-	-	-	-	-
1355719-2	B	1355720-2	Ja / YES	0.14 - 0.22	Au	A = 2.5 B = 3.7 C = 5.4 D = 13.7	E = 1.5 G = 1.5 D _{br} = 0.65	H = 2 K = 2 L = 0.6 D _{is} = 1.1	0.15	114-18021-0	0.15	114-18021-0	-	-	-	-	-
1355719-1	B	1355720-1	Ja / YES	0.14 - 0.22	Sn	A = 2.5 B = 3.7 C = 5.4 D = 13.7	E = 1.5 G = 1.5 D _{br} = 0.65	H = 2 K = 2 L = 0.6 D _{is} = 1.1	0.15	114-18021-0	0.15	114-18021-0	-	-	-	-	-

M1:1



DIMENSIONEN: mm 		TOLERANZEN UNLESS OTHERWISE SPECIFIED: ALLE DIMENSIONEN DIMENSIONS UNLESS OTHERWISE SPECIFIED: ALL DIMENSIONS ANGLES/WEINKELN/FARBEN FINISH/OBERFLAECHEN/FARBEN		DATE: 06-JAN-99 DRAWING NO: 108-18030 CUSTOMER DRAWING / SONDERZEICHNUNG	
MATERIAL: -		WEIGHT: 0.11 g		DRAWING NO: 108-18030 CUSTOMER DRAWING / SONDERZEICHNUNG	
AMP: 929454		DATE: 06-JAN-99		DRAWING NO: 108-18030	
AMP: 929454		DATE: 06-JAN-99		DRAWING NO: 108-18030	
AMP: 929454		DATE: 06-JAN-99		DRAWING NO: 108-18030	