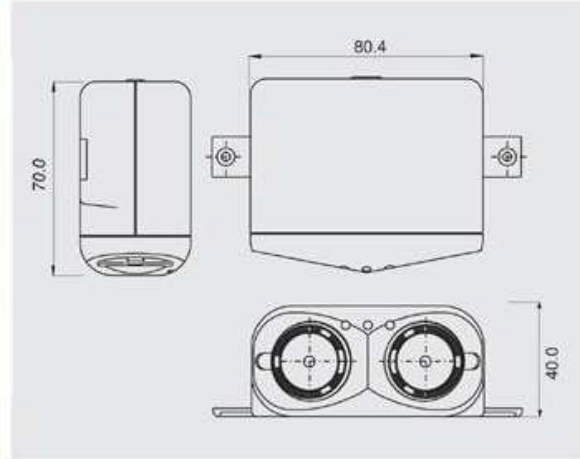


## A13-75A24B1-A3Z TWIN OUTLET SOCKET WITH PLUG



### FEATURES

- \* RATING : 10A 12V DC
- \* MATERIAL OF SOCKET
  - Housing : ABS ( UL flame: 94-HB 105°C ).
  - Inner contact : nickel plated brass.
  - Contact : nickel plated metal.
- \* Twin outlet socket with 100cm wire and plug.
- \* Socket with LED battery checker.
- \* Wire SPT-1 18 AWG 105°C
- \* Green light ring, easy to insert in the dark.

BATTERY CHECKER SITUATION			TURN OFF ENGINE FOR 10 MINUTES FOR BATTERY CAPACITY CHECK	STAR ENGINE FOR FEW MINUTES FOR CHARGING SYSTEM CHECK
LOW	MID	HIGH		
●	●	●	Very good	Very good
●	●	○	Weak	Charging system is possibly abnormal
●	○	○	Too much discharge (The battery needs to be charged)	Charging system is possibly abnormal
○	○	○	No capacity (Voltage is under 3V, replace battery.)	Check your charging system

NOTE: THE ABOVE READINGS WOULD BE AFFECTED BY THE TEMPERATURE AND CAR USED CONDITION.

## A13-75A241- - - -

PLUG & SOCKET CODE	FEATURES	WIRE WITH CONNECTER
75A24A1 	<ul style="list-style-type: none"> <li>* TWIN OUTLET SOCKET WITH PLUG</li> <li>* Twin outlet socket with 100cm wire and lighter plug.</li> <li>* With 10A glass tube fuse max.</li> </ul>	<b>A3Z</b> * Wire SPT-1 18 AWG 105°C
75A24B1 	<ul style="list-style-type: none"> <li>* TWIN OUTLET SOCKET WITH PLUG</li> <li>* Twin outlet socket with 100cm wire and lighter plug.</li> <li>* Green light ring, easy to insert in the dark.</li> <li>* With 10A glass tube fuse max.</li> <li>* LED battery checker.</li> </ul>	<b>A3Z</b> * Wire SPT-1 18 AWG 105°C
75A24C1 	<ul style="list-style-type: none"> <li>* TWIN OUTLET SOCKET WITH PLUG</li> <li>* Twin outlet socket with 100cm wire and lighter plug.</li> <li>* Socket with LED battery checker and one cigarette lighter socket.</li> <li>* Green light ring, easy to insert in the dark.</li> <li>* With 10A glass tube fuse max.</li> </ul>	<b>A3Z</b> * Wire SPT-1 18 AWG 105°C
75A45B1 	<ul style="list-style-type: none"> <li>* TWIN OUTLET EXTENSION SOCKET WITH PLUG</li> <li>* Twin outlet lighter socket with 100cm wire and lighter plug.</li> <li>* With 10A glass tube fuse max.</li> </ul>	<b>A3Z</b> * Wire SPT-1 18 AWG 105°C
75A45C1 	<ul style="list-style-type: none"> <li>* TWIN OUTLET EXTENSION SOCKET WITH PLUG</li> <li>* Twin outlet lighter socket including one cigarette lighter socket with 100cm wire and lighter plug.</li> <li>* Green light ring, easy to insert in the dark.</li> <li>* With 10A glass tube fuse max.</li> </ul>	<b>A3Z</b> * Wire SPT-1 18AWG 105°C