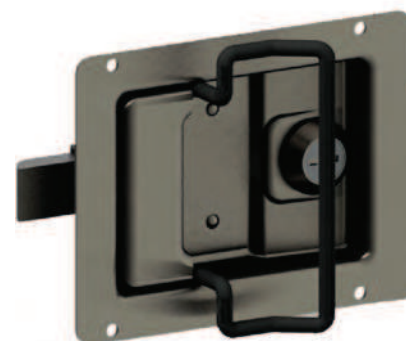
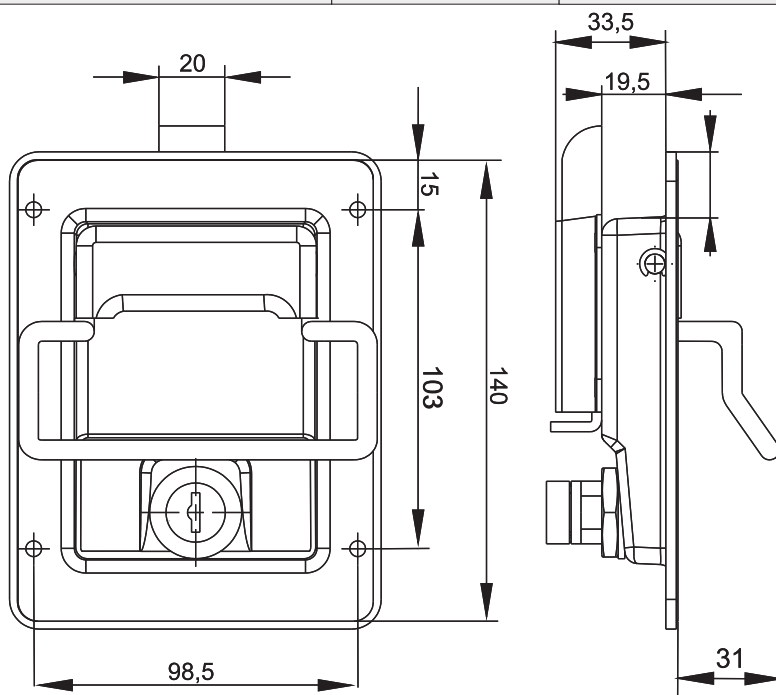


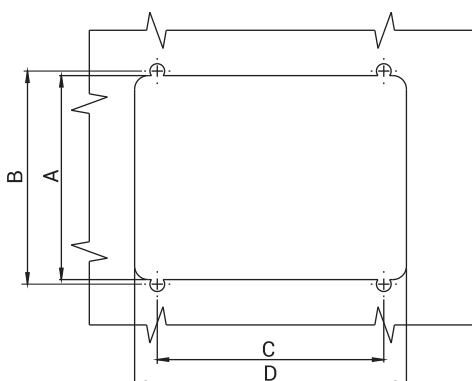
LOCKS

2

CATALOGUE NUMBER	FINISH	COMPONENTS	MATERIAL
2.510.002	RAL 9005	Housing	Stell zinc plated
		Gasket	Elastomer



CATALOGUE NUMBER	FINISH	COMPONENTS	MATERIAL
2.510.005	-	Housing	Stainless steel
		Gasket	Elastomer



Cut out

NR	Dimension [mm]			
	A	B	C	D
2.510.002	90	95	98	120
2.510.005	80	98,5	103	113,5