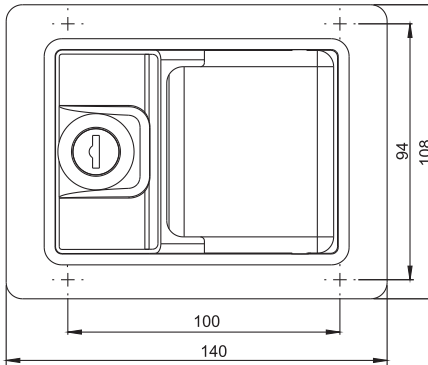
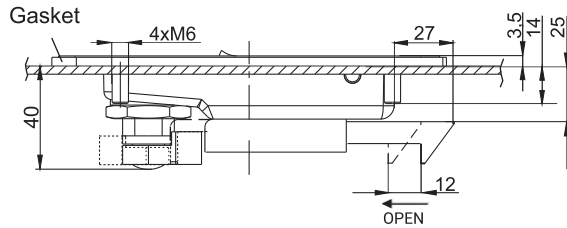
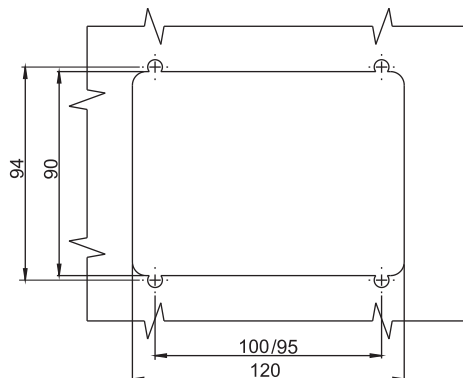


CATALOGUE NUMBER	FINISH	COMPONENTS	MATERIAL
2.510.001	RAL 9005	Housing	Steel zinc plated
		Gasket	Elastomer



CATALOGUE NUMBER	FINISH	COMPONENTS	MATERIAL
2.510.003	RAL 9005	Housing	Steel zinc plated
		Gasket	Elastomer



Cut out