

POLAM-ELTA Sp. z o.o.

LED DIODES

LED CONTROL LAMPS

www.polamelta.com

e-mail: polamelta@polamelta.com

Jerozolimskie Avenue 202

02-486 Warsaw, POLAND

tel. (+48) 22-837-22-07

fax (+48) 22-207-24-28



COMPLIANCE DECLARATION

NR 6/09/2007

Producer: POLAM-ELTA Sp. z o.o.
Jerozolimskie Avenue 202
02-486 Warsaw

KRS Nr: 0000190790
REGON: 001416903

We declare with a full responsibility that **LED signal lamps BA15** we manufacture:

LG , LW , LY , LR , LB , LO (parameters in accordance with catalogue data) comply requirements imposed by:

1. **Low Voltage Directive**

LVD 2006/95/WE

2. **The standard norms (relating to the particular parts of a product):**

- PN EN 612 36:2002 Works under voltage – bipolar indexes Nn
- PN-E-90500-1:2001 Wires of polyvinyl chloride insulation 450/750
- PN-80/E-85050 miniature light bulbs of general use
- PN-EN 983:2000 miniature light bulbs

The year of obtaining CE sign: 07

Warszawa 10.09.2007

.....
Miejsce i data wystawienia

PREZES ZARZĄDU

Ireneusz Tonder

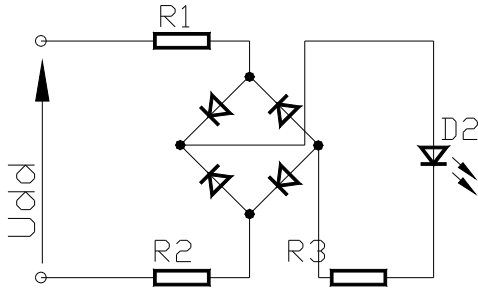
.....
*Nazwisko, stanowisko i podpis
osoby upoważnionej*

1. Product description :

The declaration is concerned about LED signal lamps produced for a number of voltage ranging 24V-230V – AC (24 V; 30 V; 48V; 60V; 110V; 220V; 230V). The lamps are designed for electric accessories use.

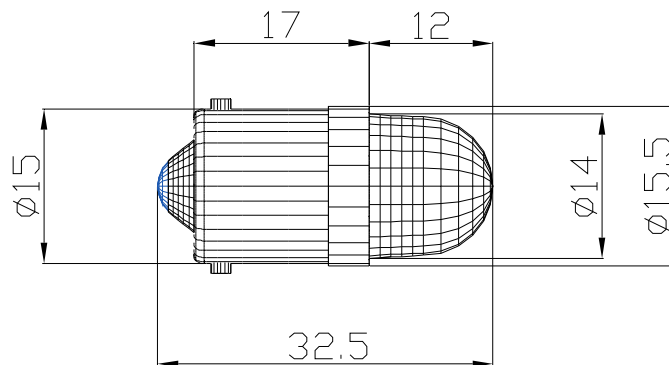
2. Technological documentation:

All the signal LED lamps are based on the following circuitry:
Full-wave rectifier



For 230 V-AC voltage, power consumption is 1,2W and for 24V-AC it is 0,6 W.

- signal lamp **BA15S** and **BA15D**



INFORMATION CARD

BA15S - 24V-AC/DC



Mat control lamps

Colour of the control lamp	Parameters		
	Luminosity	Wave length	Power
mat red	2500 mcd	635 nm	0,6 W
mat green	2000 mcd	530 nm	0,6 W
mat yellow	2300 mcd	590 nm	0,6 W
mat blue	400 mcd	470 nm	0,6 W
mat white	4000 mcd	-	0,6 W

Clear control lamps

Colour of the control lamp	Parameters		
	Luminosity	Wave length	Power
clear red	16000 mcd	635 nm	0,6 W
clear green	30000 mcd	530 nm	0,6 W
clear yellow		590 nm	0,6 W
clear blue	4800 mcd	470 nm	0,6 W
clear white	30000 mcd	-	0,6 W

Date of modernization: 08-02-2010

INFORMATION CARD

BA15S - 230V-AC/DC



Mat control lamps

Colour of the control lamp	Parameters		
	Luminosity	Wave length	Power
mat red	800 mcd	635 nm	1,2 W
mat green	800 mcd	530 nm	1,2 W
mat yellow	650 mcd	590 nm	1,2 W
mat blue	300 mcd	470 nm	1,2 W
mat white	800 mcd	-	1,2 W

Clear control lamps

Colour of the control lamp	Parameters		
	Luminosity	Wave length	Power
clear red	3000 mcd	635 nm	1,2 W
clear green	10000 mcd	530 nm	1,2 W
clear yellow		590 nm	1,2 W
clear blue	3000 mcd	470 nm	1,2 W
clear white		-	1,2 W

Date of modernization: 09-03-2012