

SHIELD-EKG-EMG bio-feedback shield **USER'S MANUAL**

All boards produced by Olimex LTD are ROHS compliant



Revision E, June 2014
Designed by OLIMEX Ltd, 2011

DISCLAIMER

© 2013 Olimex Ltd. Olimex®, logo and combinations thereof, are registered trademarks of Olimex Ltd. Other product names may be trademarks of others and the rights belong to their respective owners.

The information in this document is provided in connection with Olimex products. No license, express or implied or otherwise, to any intellectual property right is granted by this document or in connection with the sale of Olimex products.

This work is licensed under the Creative Commons Attribution-ShareAlike 3.0 Unported License. To view a copy of this license, visit <http://www.creativecommons.org/licenses/by-sa/3.0/>.



This hardware design by Olimex LTD is licensed under a Creative Commons Attribution-ShareAlike 3.0 Unported License.

The software is released under GPL.

It is possible that the pictures in this manual differ from the latest revision of the board.

The product described in this document is subject to continuous development and improvements. All particulars of the product and its use contained in this document are given by OLIMEX in good faith. However all warranties implied or expressed including but not limited to implied warranties of merchantability or fitness for purpose are excluded. This document is intended only to assist the reader in the use of the product. OLIMEX Ltd. shall not be liable for any loss or damage arising from the use of any information in this document or any error or omission in such information or any incorrect use of the product.

This evaluation board/kit is intended for use for engineering development, demonstration, or evaluation purposes only and is not considered by OLIMEX to be a finished end-product fit for general consumer use. Persons handling the product must have electronics training and observe good engineering practice standards. As such, the goods being provided are not intended to be complete in terms of required design-, marketing-, and/or manufacturing-related protective considerations, including product safety and environmental measures typically found in end products that incorporate such semiconductor components or circuit boards.

Olimex currently deals with a variety of customers for products, and therefore our arrangement with the user is not exclusive. Olimex assumes no liability for applications assistance, customer product design, software performance, or infringement of patents or services described herein.

THERE IS NO WARRANTY FOR THE DESIGN MATERIALS AND THE COMPONENTS USED TO CREATE SHIELD-EKG-EMG. THEY ARE CONSIDERED SUITABLE ONLY FOR SHIELD-EKG-EMG.

WARNING:**EKG DEVICE DISCLAIMER**

IEC601 is a standard that specifies tests and requirements that medical devices must pass before they can be used on humans. However, none of the devices built from these designs have been tested according to these guidelines because of the costs involved. Therefore, a device based on any of these designs may not be used for medical purposes as no medical claims are made.

NOTE THAT CONNECTING A DEVICE VIA ELECTRODES TO HUMANS OR ANIMALS IS POTENTIALLY HAZARDOUS AND MAY RESULT IN ELECTRIC SHOCK AND/OR SEIZURE.

Table of Contents

DISCLAIMER.....	2
SECTION 1 OVERVIEW.....	5
1.1 Scope.....	5
1.2 Features.....	5
1.3 Similar boards.....	5
1.4 Organization.....	6
SECTION 2 SETTING UP THE SHIELD-EKG-EMG.....	7
2.1 Electrostatic Warning.....	7
2.2 Requirements.....	7
2.3 Powering up the board.....	8
2.4 Arduino/Maple/Pinguino note.....	8
SECTION 3 SHIELD-EKG-EMG BOARD DESCRIPTION.....	10
3.1 Layout (Top view):.....	10
3.2 Layout (Bottom view):.....	11
SECTION 4 INSTALLATION EXAMPLE.....	12
4.1 SHIELD-EKG-EMG and OLIMEXINO-328.....	12
SECTION 5 HARDWARE.....	14
5.1 Arduino shield connector.....	14
5.2 Trimmer TR1.....	14
5.3 Jumper description.....	14
5.4 Custom electrode connection.....	16
SECTION 6 SCHEMATICS.....	17
6.1 Eagle schematics.....	17
6.2 Physical dimensions.....	19
SECTION 7 REVISION HISTORY.....	20
7.1 Document revision.....	20
7.2 Web page of your device.....	20
7.3 Ordering info.....	20

SECTION 1 OVERVIEW

Thank you for choosing the SHIELD-EKG-EMG prototype board from Olimex! This document provides a User's Guide for the Olimex SHIELD-EKG-EMG. As an overview, this chapter gives the scope of this document and lists the board's features. The document's organization is then detailed.

1.1 Scope

The SHIELD-EKG-EMG is an extension module for Olimex's ARDUINO compatible boards – like OLIMEXINO-328, OLIMEXINO-STM32 and PIC32-PINGUINO, among others. The shield is also compatible with ARDUINO boards including ARDUINO UNO. The board comes with mounted connectors on it.

1.2 Features

- Suitable for electrocardiography – monitoring and data collection
- Suitable for electromyography – monitoring and data collection
- Stackable shield (pass-through headers) - up to 6 shields forming 6 channels; mounted on top of each other and wired to A0-A6 analogue inputs
- Open hardware, open software project – users have access to all design documents
- Calibration signal generation by D4/D9 digital output
- Precise trimmer potentiometer for calibration (all boards are shipped completely assembled, tested and calibrated so you should not do this unless you want to see how things work)
- Input connector for passive or active electrodes
- Works with both 3.3V and 5V Arduino boards
- Available examples for Arduino, Pinguino and Maple

Please note that the unit can be used for electroencephalography to some extent, however such use is not intended by design. The design doesn't provide the accuracy required for proper EEG and if you are interested in this field, please, consider the EEG-SMT board.

1.3 Similar boards

EEG-SMT – an inexpensive unit specifically designed for electroencephalography (EEG) - recording of electrical activity along the scalp (brain activity):

<https://www.olimex.com/Products/EEG/OpenEEG/EEG-SMT/>

PROTO-SHIELD – If you seek a board which follows the DUINO shield dimensions specification and offers prototype area and 2 buttons with filter capacitors and 2 LEDs. Web page of the product: <https://www.olimex.com/Products/Duino/Shields/PROTO-SHIELD/>

SHIELD-LOL – If you are searching for a shield with 126 LED matrix (14×9) available in 4 colors and 4 different sizes of the LEDs. Web page:

<https://www.olimex.com/Products/Duino/Shields/SHIELD-LOL/>

1.4 Organization

Each section in this document covers a separate topic, organized as follow:

- Section 1 is an overview of the board usage and features
- Section 2 provides a guide for quickly setting up the board and introduces the user to Arduino/Maple/Pinguino
- Section 3 contains the general board diagram and layout
- Section 4 show and example of setting up SHIELD-EKG-EMG with OLIMEXINO-328
- Section 5 covers the connector pinout, peripherals and jumper description
- Section 6 provides the schematics
- Section 7 contains the revision history

SECTION 2 SETTING UP THE SHIELD-EKG-EMG

This section helps you set up the SHIELD-EKG-EMG development board for the first time.

Please consider first the electrostatic warning to avoid damaging the board, then discover the hardware and software required to operate the board.

The procedure to power up the board is given, and a description of the default board behavior is detailed.

2.1 Electrostatic Warning

The SHIELD-EKG-EMG development board is shipped in a protective anti-static package. The board must not be exposed to high electrostatic potentials. A grounding strap or similar protective device should be worn when handling the board. Avoid touching the component pins or any other metallic element.

2.2 Requirements

In order to set up the SHIELD-EKG-EMG prototype board, the following items are required:

- SHIELD-EKG-EMG itself
- ARDUINO compatible board* (e.g. OLIMEXINO-328, OLIMEXINO-STM32, PIC32-PINGUINO)
- Electrode cable**

*The pinout for the board strictly follows the DUINO extension specification. Best choice for a board would be OLIMEXINO-328 or any DUINO board which utilizes the ATmega328 since we have working and tested examples for those MCUs, configuring them for ATmega128 would require tweaking of the code.

**The cable features three electrodes – two data electrodes (1 channel) and DLR electrode (feedback). If you use more than one SHIELD-EKG-EMG you can use cables without DLR for every shield after the first.

IMPORTANT NOTE: The electrode cables for SHIELD-EKG-EMG and MOD-EEG-SMT are different and not compatible!

There are two electrode cables that we have tested with the board. They are named SHIELD-EKG-EMG-PA and SHIELD-EKG-EMG-PRO. The first one is considered open-hardware and its schematics might be used as a reference if you wish to make the cable yourself.

The SHIELD-EKG-EMG-PRO works with different set of attachment cups that makes it easier to measure EMG signals at hard-to-reach spots and also allow contact materials replacement.

Links to the web-pages of the electrodes:

- <https://www.olimex.com/Products/Duino/Shields/SHIELD-EKG-EMG-PA/open-source->

[hardware](#)

- <https://www.olimex.com/Products/Duino/Shields/SHIELD-EKG-EMG-PRO/>

Different pads for SHIELD-EKG-EMG-PRO electrode:

- <https://www.olimex.com/Products/Modules/Biofeedback/ECG-GEL-ELECTRODE/>

- <https://www.olimex.com/Products/Duino/Shields/ECG-CLIP/>

- <https://www.olimex.com/Products/Duino/Shields/ECG-SCUP/>

In case you want to build a working SHIELD-EKG-EMG system without owning a DUNIO board the best choice would be our board OLIMEXINO-328. This is the web page for the board: <https://www.olimex.com/Products/Duino/AVR/OLIMEXINO-328/>.

2.3 Powering up the board

The SHIELD-EKG-EMG board is powered by the host board it is mounted on. There is the option to be powered either by 3.3V or 5.0V host board (configured easily by a jumper).

On powering the board PWR LED must become RED.

2.4 Arduino/Maple/Pinguino note

What is Arduino?

Arduino is an open-source electronics prototyping platform, designed to make the process of using electronics in multidisciplinary projects more accessible. The hardware consists of a simple open hardware design for the Arduino board with an Atmel AVR processor and on-board I/O support. The software consists of a standard programming language and the boot loader that runs on the board.

Arduino hardware is programmed using a Wiring-based language (syntax + libraries), similar to C++ with some simplifications and modifications, and a Processing-based Integrated Development Environment (IDE).

The project began in Ivrea, Italy in 2005 aiming to make a device for controlling student-built interaction design projects less expensively than other prototyping systems available at the time. As of February 2010 more than 120,000 Arduino boards had been shipped. Founders Massimo Banzi and David Cuartielles named the project after a local bar named Arduino. The name is an Italian masculine first name, meaning "strong friend". The English pronunciation is "Hardwin", a namesake of Arduino of Ivrea.

More information could be found at the creators web page <http://arduino.cc/> and in the Arduino Wiki <http://en.wikipedia.org/wiki/Arduino>.

To make the story short – Arduino is easy for beginners who lack Electronics knowledge, but also does not restrict professionals as they can program it in C++ or mix of Arduino/C++ language.

There are thousands of projects which makes it easy to startup as there is barely no field

where Arduino enthusiasts to have not been already.

Arduino has inspired two other major derivatives – MAPLE and PINGUINO. Based on 8-bit AVR technology the computational power of Arduino boards is modest, this is why a team from MIT developed the MAPLE project which is based on ARM7 STM32F103RBT6 microcontroller. The board have same friendly IDE as Arduino and offers the same capabilities as hardware and software but runs the Arduino code much faster. The Maple project can be found at <http://leaflabs.com>

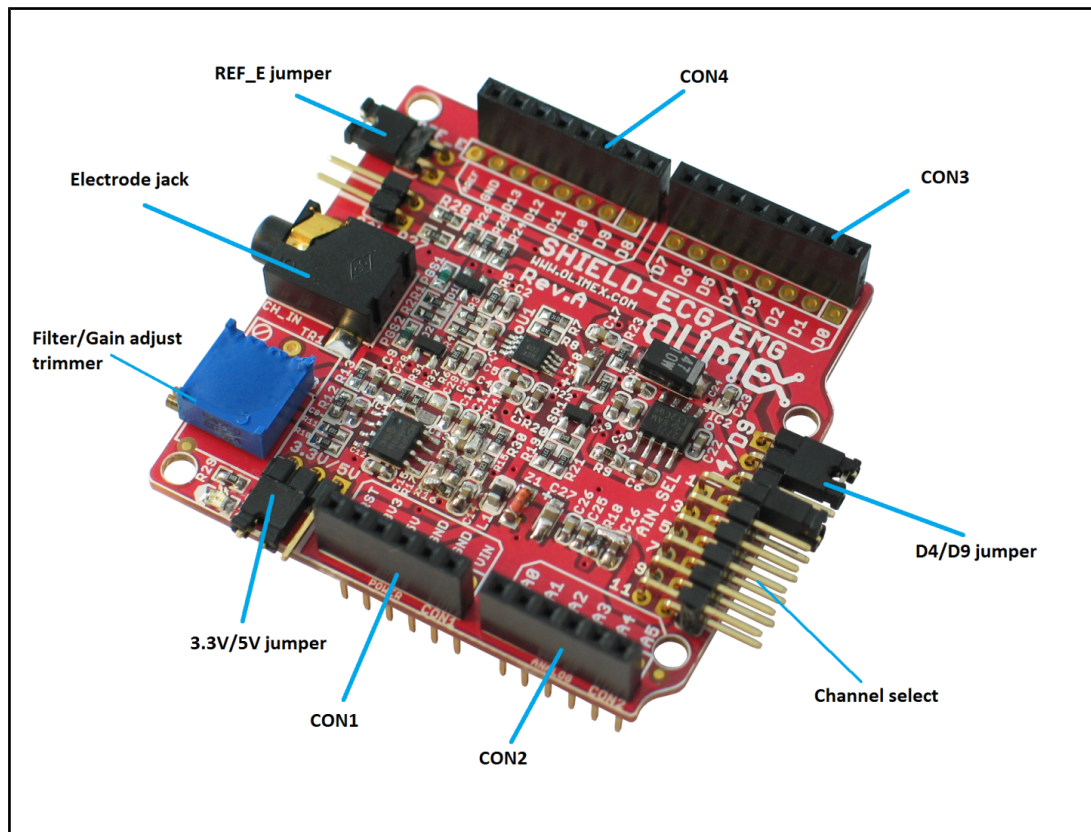
In parallel with Arduino another project was started called PINGUINO. This project chose its first implementation to be with PIC microcontrollers, as AVRs were hard to find in some parts of the world like South America so it is likely to see lot of PINGUINO developers are from that part of the world. PINGUINO project founders decided to go with Python instead Java for processing language. For the moment PINGUINO is much more flexible than Arduino as it is not limited to 8bit microcontrollers. Currently the IDE, which has GCC in background, can support 8-bit PIC microcontrollers, 32bit PIC32 (MIPS) microcontrollers and ARM7/CORTEXM3 microcontrollers which makes PINGUINO very flexible because once you make your project you can migrate easily through different hardware platforms and not being bound to a single microcontroller manufacturer. The PINGUINO project can be found at: <http://www.pinguino.cc>.

SECTION 3 SHIELD-EKG-EMG BOARD DESCRIPTION

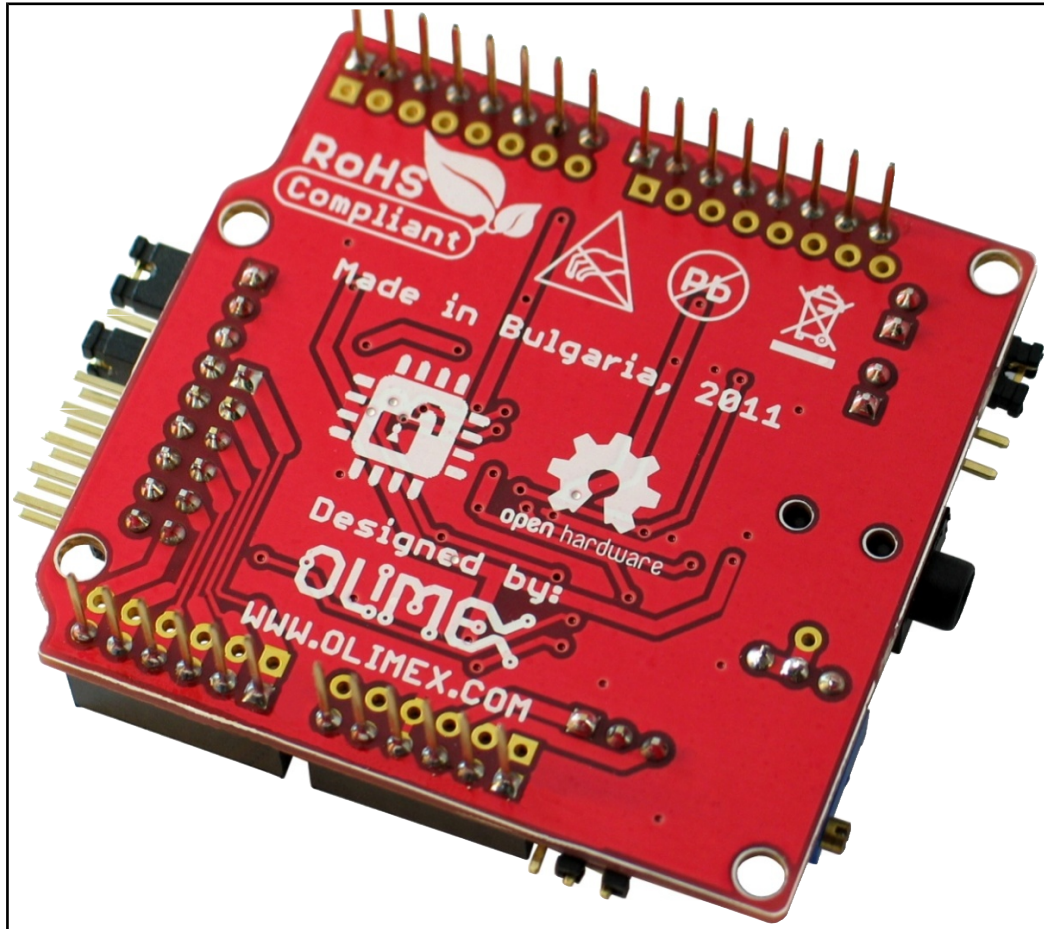
Here you get acquainted with the main parts of the board. Note the names used on the board differ from the names used to describe them. For the actual names check the SHIELD-EKG-EMG board itself.

For example: BUTTON (seen on the op view below) is named BUT; RESET is named RST; etc

3.1 Layout (Top view):



3.2 Layout (Bottom view):



SECTION 4 INSTALLATION EXAMPLE

This is a step by step example of installing SHIELD-EKG-EMG on OLIMEXINO-328 using Windows. You can refer to the tips keeping in mind that the example utilizes a board with ATmega328 MCU.

4.1 SHIELD-EKG-EMG and OLIMEXINO-328

In this example we use OLIMEXINO-328; SHIELD-EKG-EMG; USB – USB mini cable; Arduino 1.0 IDE; two external libraries for the IDE (the latest versions of TimerOnev9 and FlexiTimer2); the latest FTDI VCP drivers (2.08.14), demo code provided by us that can be downloaded from the web site and free monitoring software Electric Guru.

0. IMPORTANT! Before starting you have to prepare the OLIMEXINO-328 board by removing its wire between the R6 pads (R6 is not mounted). There is increased power consumption and a chance of electrical failure if you omit to do so. This is only for the OLIMEXINO-328 board! Don't do the modification if you lack basic electronics skills, because it is possible to damage the board.

If the host board provides reference voltage on the AREF pin then open REF_E jumper. We don't want two supplies to provide power to the same line – the 3V_REF_ADC one.

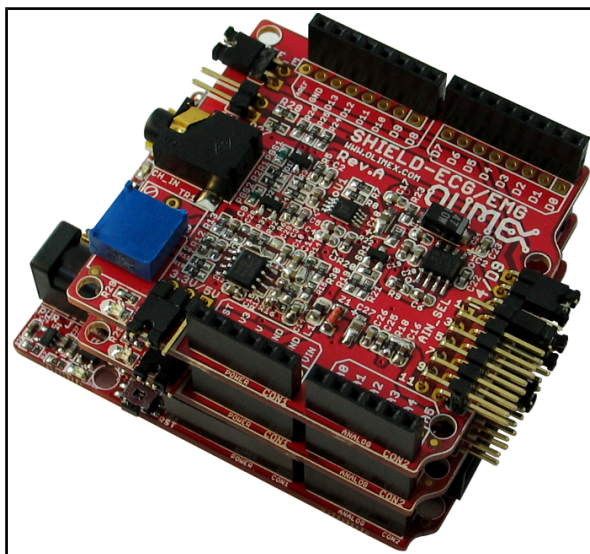
1. Download and extract the Arduino 1.1 IDE package from the Arduino web site: <http://www.arduino.cc/>
2. Download and place the two timer libraries required (TimerOne, FlexiTimer2) in \arduino-1.0\libraries by placing each of them in properly named folder (check the other libraries for reference)
<http://arduino.cc/playground/Code/Timer1>
http://www.pjrc.com/teensy/td_libs_MsTimer2.html
3. Download the demo project from product's web page:
<https://www.olimex.com/Products/Duino/Shields/SHIELD-EKG-EMG/>
4. Download the FTDI VCP drivers: <http://www.ftdichip.com/Drivers/VCP.htm>

5. Set the jumpers of SHIELD-EKG-EMG in the following way:

REF_E – closed
3.3V/5V – 5V position
D4/D9 – D9 position
ANI_SEL – 1 position (channel)

6. Connect the shield to the board

7. Connect OLIMEXINO-328 to the USB



8. Install the VCP FTDI drivers by going in *Device Manager*; right-clicking over the

unrecognized device and choosing *Update Driver* and then pointing to the folder where you downloaded and extracted the FTDI VCP driver.
Here it is advisable to go to *Device Manager* and from advanced settings of our recognized USB Serial Port (COMx) device to set x to a free port between 1 and 4 (because the monitoring software in this example can read only from COM ports 1 to 4).

9. Start Arduino IDE and open the provided by Olimex project `ShieldEkgEmgDemo.pde`

10. Set Tools -> Board -> Arduino Duemilanove w/ ATmega328
Set Tools -> Serial port -> the COM we configured our board at

11. Click Upload (→)

12. Download, install and start the software from this page:

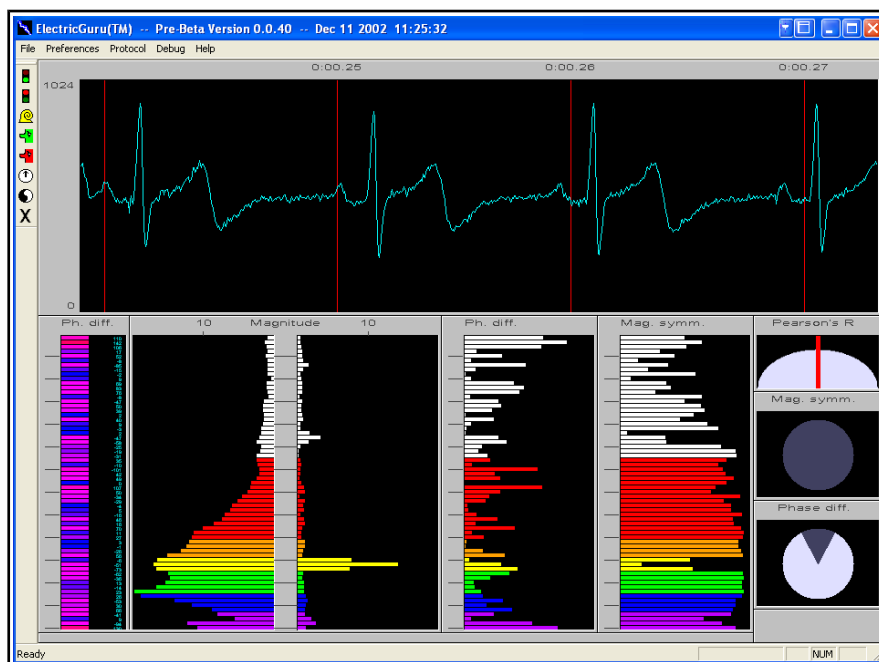
<https://www.olimex.com/Products/EEG/OpenEEG/EEG-SMT/resources/ElecGuru40.zip>

13. It is advisable to adjust the settings in your ElecGuru program in Preferences-> Trace (waveform)... (depending how many channels/shields you use)

14. Choose the COM port your OLIMEXINO is connected to from Preferences -> Serial port... (Remember you have to set it to COM 1 to 4)

15. You connect the electrodes to your right arm, left arm and the DLR to your right leg

16. Start monitoring, adjust the settings until you receive an image like the one shown on the picture



SECTION 5 HARDWARE

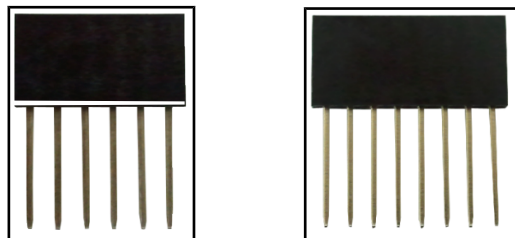
You can get a good view of the hardware observing the board. All pins, connectors and jumpers are named individually.

5.1 Arduino shield connector

These connectors follow the ARDUINO specification for shield connection. The shield comes with soldered connectors making it ready for mounting on compatible board with the possibility to have another shield mounted on it.

Pin #	POWER CON1	ANALOG CON2	DIGITAL CON3	DIGITAL CON4
1	RST	A0	D0	D8
2	3.3V	A1	D1	D9
3	5V	A2	D2	D10
4	GND	A3	D3	D11
5	GND	A4	D4	D12
6	Vin	A5	D5	D13
7	-	-	D6	GND
8	-	-	D7	AREF

6-pin and 8-pin connectors mounted (CON1, CON2 and CON3, CON4):



5.2 Trimmer TR1

Trimmer TR1 is calibrated during the factory testing. However it may be adjusted for the gain. Use at own risk.

5.3 Jumper description

The names of the jumpers on the board correspond to the bold names used below:

3.3V/5V

This jumper controls the power circuit. Whether powered by 3.3V or 5V board.

Default state is 3.3V.

REF_E

The position of the REF_E jumper depends on the "host" board. If the "host" board provides voltage on the AREF pin of the digital connector REF_E has to be open. If there is no voltage provided on the AREF pin then SHIELD-EKG-EMG's REF_E jumper has to be closed.

If both boards provide reference voltage to the 3V_REF_ADC line (and AREF pin respectively) then there would be a circuit conflict which might damage a component on one of the boards.

You need to ensure only one of the boards provides AREF voltage.

If you use only one shield this jumper has to be closed.

If you have multiple shields the first one should be closed; the respective REF_E jumpers on every other shield above it should be open.

Default state is closed.

AIN_SEL

This jumper is responsible for which channel the current SHIELD-EKG-EMG would utilize. If you have more than one shield one of them should have AIN_SEL in position 1, the second in position 3, etc.

Default state is in position 1.

D4/D9

Controls pin D4/D9. Some processors utilize the default D9 pin so you have to switch to D4. This jumper provides easy option to do so.

Default state is D9.

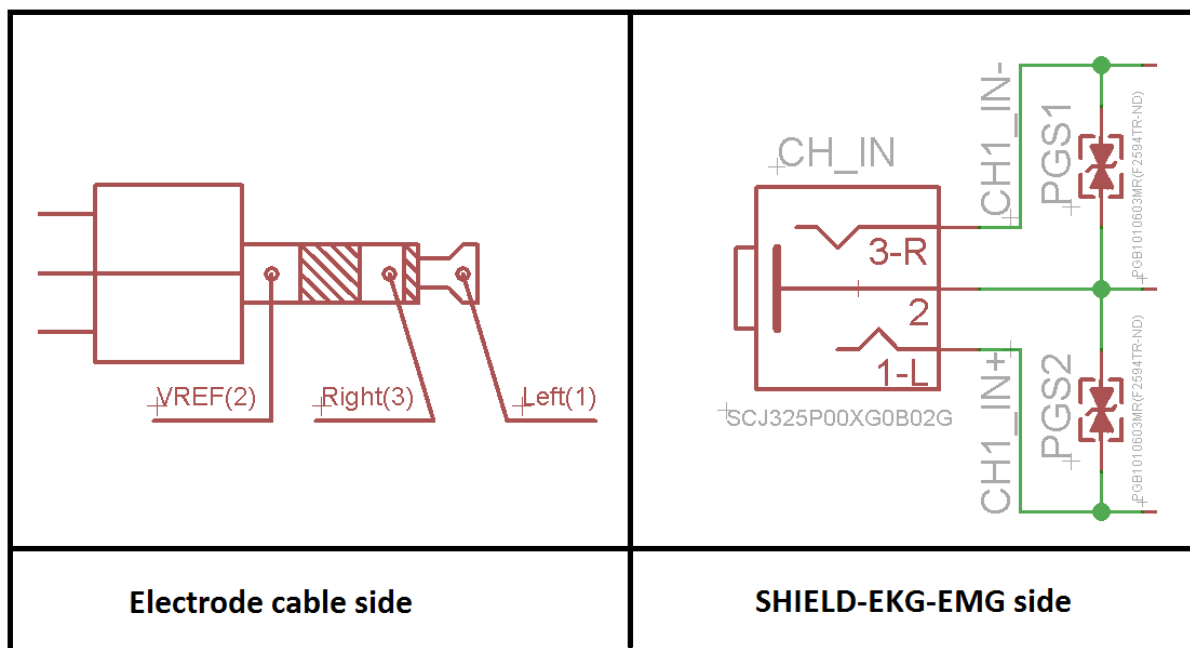
CAL

CAL jumper is used for feedback of the calibration and requires additional cable.

Default state is open.

5.4 Custom electrode connection

To make the passive electrode yourself you need three cables, passive electrode surface and audio jack. The way the signals go for connecting the audio jack is shown below:



Note that connecting active electrode that way will probably lead to electrical shock for SHIELD-EKG-EMG. Only passive electrodes can be used with SHIELD-EKG-EMG.

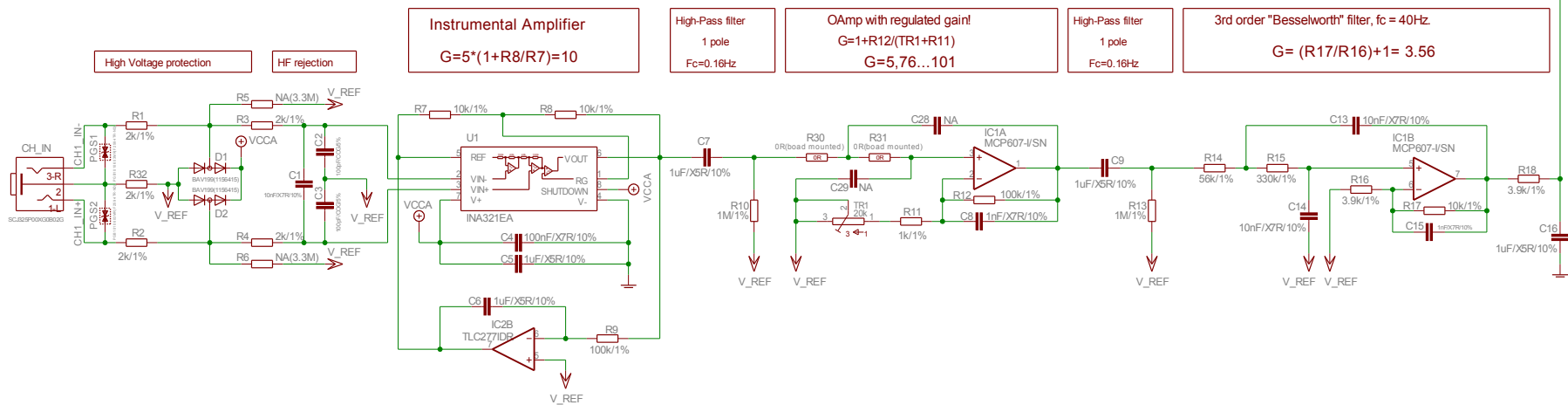
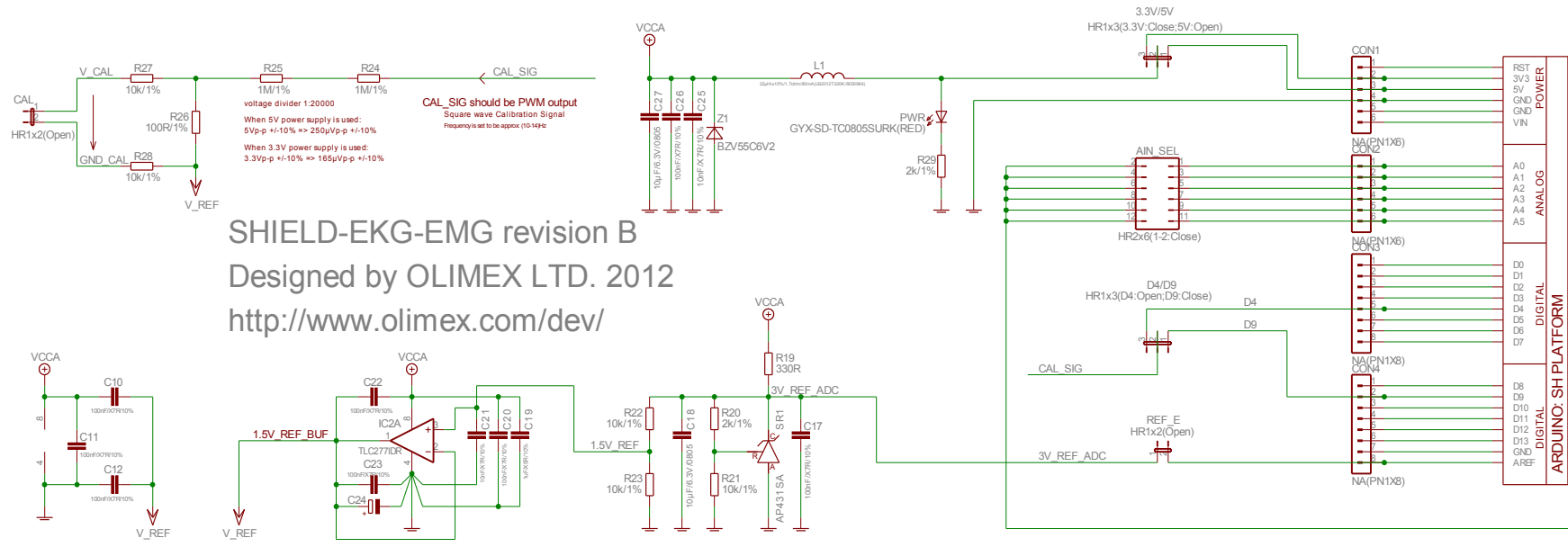
SECTION 6 SCHEMATICS

6.1 Eagle schematics

SHIELD-EKG-EMG schematic is visible for reference here. But you can find it with better resolution and stand-alone on the product's web page:

<https://www.olimex.com/Products/Duino/Shields/SHIELD-EKG-EMG/>. They are located in HARDWARE section.

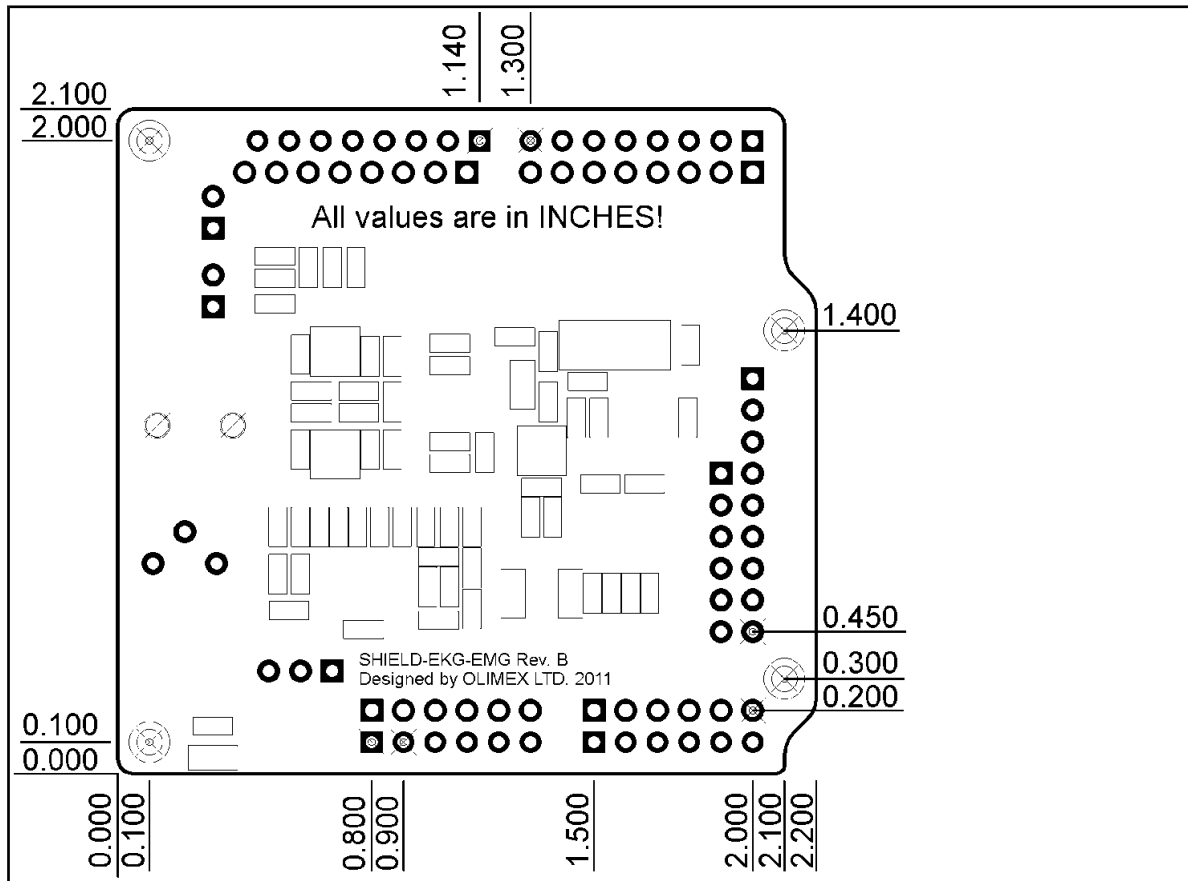
The EAGLE schematic is situated on the next page for quicker reference.



6.2 Physical dimensions

As you can see below the dimensions follow the classic Arduino shield pin specification making it compatible with all Olimex Duino boards.

Note: All dimensions are in inches!



SECTION 7 REVISION HISTORY

7.1 Document revision

Revision	Changes	Modified Pages
A	Initial Creation	All
B	Added important note on removing a wire at R6 pads from OLIMEXINO-328	11.12
C	Fixed error on page 7 about the LED color Added note on page 12 about possible damage due to lack of experience Changed schematic with a searchable one Various formatting adjustments	7, 12, 16
D	Changed disclaimer section to represent the open-source nature of the shield Added explanation of the cable	2, 15
E	Changed formatting of the document Updated links Added few new notes on REF_E jumper	All

7.2 Web page of your device

The web page you can visit for more info on your device is <https://www.olimex.com/Products/Duino/Shields/SHIELD-EKG-EMG/>.

There are examples and libraries available for Arduino IDE, Pinguino IDE and Maple IDE.

7.3 Ordering info

ORDER CODES:

SHIELD-EKG-EMG – completely assembled and tested

OLIMEXINO-328 – Arduino based board with ATmega328, fully compatible with SHIELD-EKG-EMG

How to order?

You can order directly from our online shop or from any of our distributors. The list of distributors might be found here: <https://www.olimex.com/Distributors>.

Check our web site <https://www.olimex.com/> for more info.