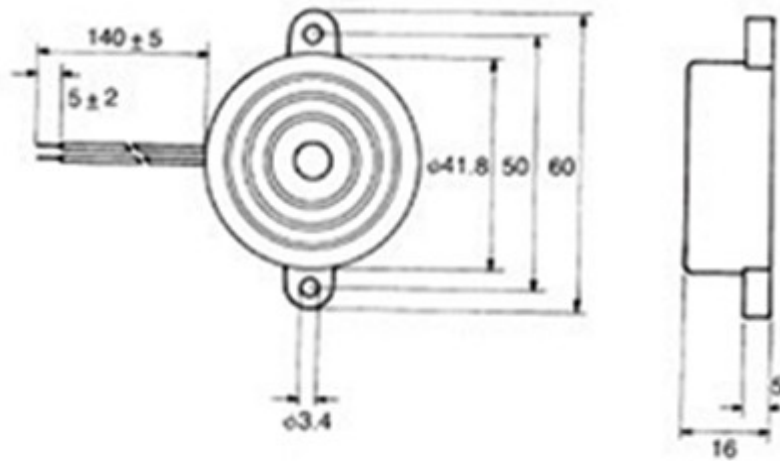


BZ-42X



- Type: KPE-350, flange mounting type
- Tone: Continuous
- Operating Voltage: 3 - 28 V DC
- Oscillating frequency: Approx. 2.8 KHz
- Current consumption: Max. 7 mA at 12 V DC
- Sound pressure level: Min. 85 dB at 12 V DC / 30 cm
- Piezo Audio Indicator



Type	KPE-350
System	Piëzo
Tone	Continuous
Operating Voltage	3 - 20 V(DC)
Frequency	2,8 kHz
Avarage Current Consumption	7 mA
Avarage Sound Pressure Level	85 dB(A)
Mounting	Flange
Diameter	41,8 mm
Height	16 mm
Mounting Hole Distance	50 mm
Mounting Hole Diameter	3,4 mm