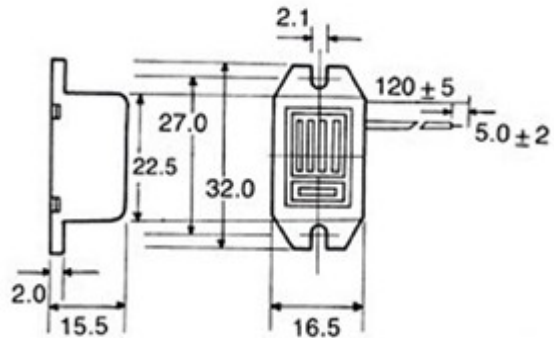


# BZ-14

Type: KS-3612  
Tone: Continuous  
Operating Voltage : 8 - 16 V DC  
Rated Voltage : 12 V DC  
Operating frequency : approx. 400 Hz  
Current consumption : max. 30 mA  
Sound pressure level : min. 78 dB at 30 cm  
Electronic Solid State Audio Indicator



Type	KS-3612
System	Electronic Solid State
Tone	Continuous
Operating Voltage	8 - 16 V(DC)
Frequency	0,4 kHz
Avarage Current Consumption	30 mA
Avarage Sound Pressure Level	78 dB(A)
Mounting	Flange
Diameter	17.0 x 23.5 mm
Height	15 mm
Mounting Hole Distance	27,5 mm
Mounting Hole Diameter	2,5 mm