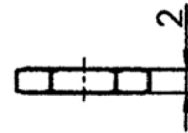
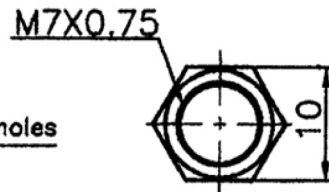
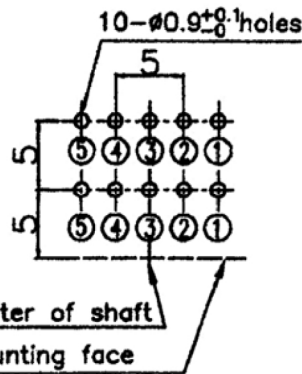
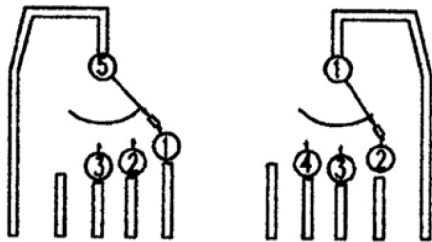
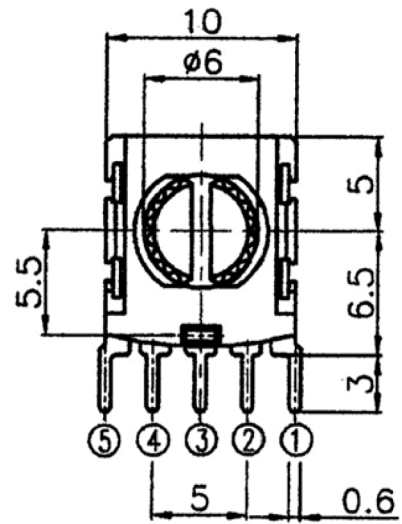
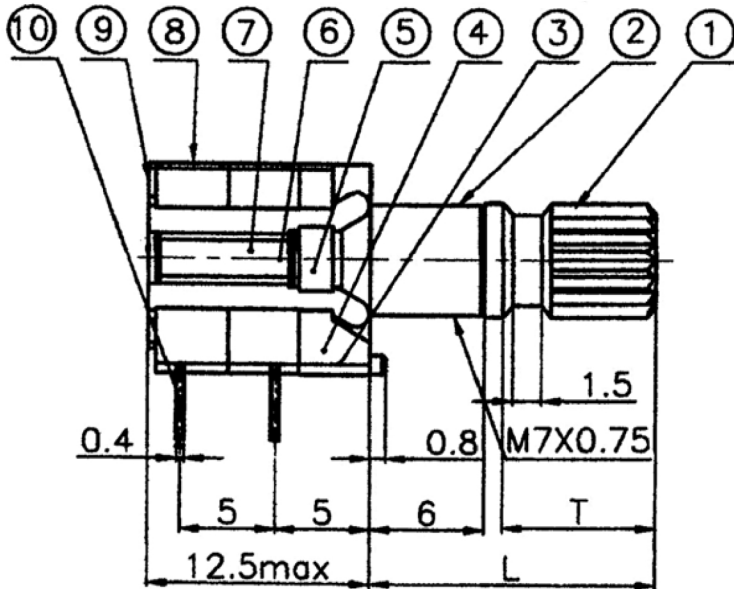
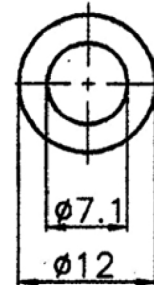


Ninigi



SPECIFICATION



P.C.B MOUNTING HOLE DETAIL

Rating DC 16 0.1A
 Contact resistance 50mΩ max
 Rotational torque 200±100gf.cm
 Operating life 10K cycle

12	W-7	Washer	1	Steel t=0.4	
11	N-7	Nut	1	Steel t=2	
10	SR1005	Terminal Lug	5	Brass t=0.4	Silver Plating
9	SR1022	Bracket Plate	1	SPC t=0.4	Tin Plating
8	SR1011	Base	2	PBT-30%FB	No Plating
7	SR1008-4	Block	1	POM	No Plating
6	SR1006	Contact Plate	2	Nickel silver t=0.1	No Plating
5	SR1030-3	Lock Washer	1	Spc t=1.2	No Plating
4	SR1027	Steel Ball	1	Steel	No Plating
3	SR1015	Spring Piece	1	Phosphor-bronze t=0.3	No Plating
2	SR1002	Bushing	1	Zinc Alloy	No Plating
1	SR1001- KA	Shaft	1	Aluminum	No Plating

NO	MODEL	L	T
	15KA	15	8
✓	20KA	20	13

▲			
▲			
▲	Aug.08'13	尺寸修改, 图面重绘	李东冠

NO	Part No	Description	QTY	Material	Finishing	MODEL	SR10-2-3-20KA(G).	B
TOLERANCES		DIMENSION	SCALE	DRAWING BY	CHECKED BY	APPROVED BY	DRAWING NO.	
less than 10	±0.3	m/m	/				SR10-003	
above 10-30	±0.5							
above 30-100	±1							
angular dimension	±5'							Switch\SR10\Spec