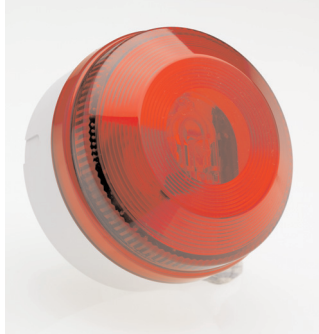


Visual Signals XENON BEACONS

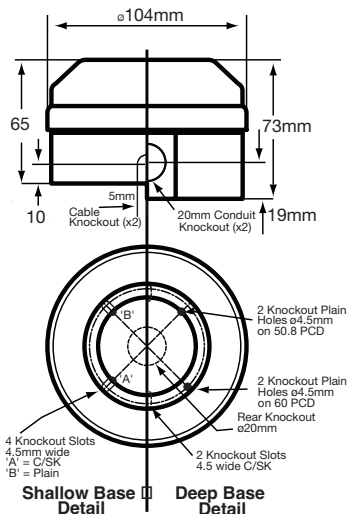


Industrial Xenon Beacons > X195 Series

Product overview

The X195 Series utilises a discharge capacitor and converter circuit to ignite xenon gas inside a tube, resulting in a brilliant flash of light. Xenon gas ignites virtually instantaneously so maximum brightness is obtained

immediately. Xenons have an added advantage of low current consumption combined with a reasonable life span. Xenon beacons are one of the most efficient, effective and brightest visual signals available. The X195 series offers shallow base and deep base options - the deep base version having side entry as well as bottom entry. Synchronized version available.



FEATURES

- Continuously rated
- Suitable for surface or wall mounting
- Suitable for use with conduit BESA box
- M20 side entry [deep base only] or bottom cable entry
- IP65

MATERIAL

- UV Stable Polycarbonate Lens
- ABS Plastic Base



Code No:	Voltage:	Light Source:	Current:
X195-02WH-SB	15-28v Ac/Dc \approx	Xenon 5.0J	310 mA
X195-02WH	15-28v Ac/Dc \approx	Xenon 5.0J	310mA
X195-05WH-SB	180-250v Ac \sim	Xenon 5.0J	110 mA
X195-05WH	180-250v Ac \sim	Xenon 5.0J	110mA

Kg 0.25

\sim 50 **Hz**

°C -25+45

IP 65

FPM 60

FIRE

APPROVAL AND CONFORMITIES



ADD THE FOLLOWING LENS CODES TO THE PRODUCT CODE WHEN ORDERING

01

02

03

04

05



INDUSTRIAL