

# Visual Signals XENON

## BEACONS

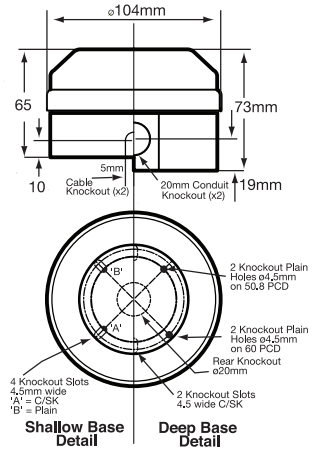


## Industrial Xenon Beacons > X195 Series

### Product overview

The X195 Series utilises a discharge capacitor and converter circuit to ignite xenon gas inside a tube, resulting in a brilliant flash of light. Xenon gas ignites virtually instantaneously so maximum brightness is obtained immediately. Xenons

have an added advantage of low current consumption combined with a reasonable life span. Xenon beacons are one of the most efficient, effective and brightest visual signals available. The X195 series offers shallow base and deep base options - the deep base version having side entry as well as bottom entry. Synchronized version available.



### Features

Continuously rated

Suitable for surface or wall mounting

Suitable for use with conduit BESA box

M20 side entry [deep base only] or bottom cable entry

IP65

### Material

UV Stable Polycarbonate Lens  
ABS Plastic Base



Code No:	Voltage:	Light Source:	Current:
X195-02WH-SB	15-28v Ac/Dc $\sim$	Xenon 5.0J	310 mA
X195-02WH	15-28v Ac/Dc $\sim$	Xenon 5.0J	310mA
X195-05WH-SB	180-250v Ac $\sim$	Xenon 5.0J	110 mA
X195-05WH	180-250v Ac $\sim$	Xenon 5.0J	110mA

**Kg 0.25**

**50 Hz**

**°C -25+45**

**IP 65**

**FPM 60**

**FIRE**

APPROVAL AND CONFORMITIES



ADD THE FOLLOWING LENS CODES TO THE PRODUCT CODE WHEN ORDERING

01

02

03

04

05

INDUSTRIAL