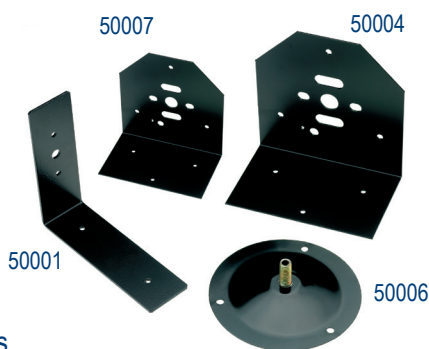


Miscellaneous Brackets, Cage Guards, Domes, Mounts ACCESSORIES

Brackets > 50001>50158

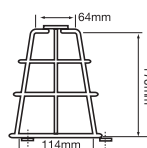
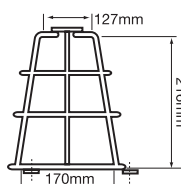
- 50001 Right Angled Wall Bracket**
Suitable for use with 88, 125 & 201/200 series beacons
- 50004 Right Angled Wall Bracket**
Suitable for use with 401/400, 501/500, 600 & X250 series beacons
- 50006 Pipe Bracket**
Suitable for use with 401/400, 501/500, 600 & X250 series beacons
- 50007 Right Angled Wall Bracket**
Suitable for use with 125 & 125DIN series beacons
- 50158 IP66 Weatherproof Band**
Suitable for use with 201/200 series beacons (not shown)



Please Note: Brackets and Cage Guards are not interchangeable at this present time.

Cage Guards > 50003>50010

- 50003 Small Cage Guard**
Suitable for use with 125 series beacons
- 50003/1 Optional Mounting Plate**
Suitable for use with 125 series beacons
- 50010 Large Cage Guard**
Suitable for use with 201/200, 401/400 & 501/500 series beacons
- 50010/1 Optional Mounting Plate**
Suitable for use with 201/200, 401/400 & 501/500 series beacons



Please Note: Brackets and Cage Guards are not interchangeable at this present time.

Small Domes

- 50018 Red Lens**
- 50019 Amber Lens**
- 50020 Blue Lens**
- 50021 Green Lens**
- 50022 Clear Lens**



Please Note:
Suitable for use with 125 series beacons only

Large Domes

- 50064 Amber Lens**
- 50065 Red Lens**
- 50066 Blue Lens**
- 50067 Green Lens**
- 50068 Clear Lens**



Please Note:
Suitable for use with 88, 98, 201/200, 401/400 & 501/500 series beacons

Anti-Vibration Mount

- 50080 Anti-Vibration Mount**
Suitable for use with 125 Series (2 point fix) 201/200 Series

