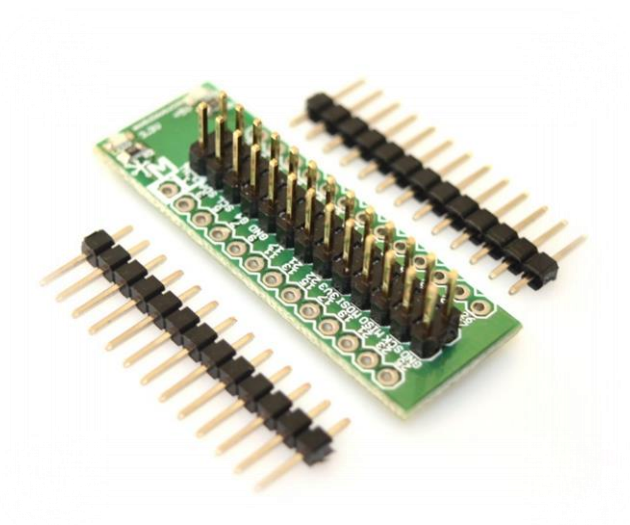


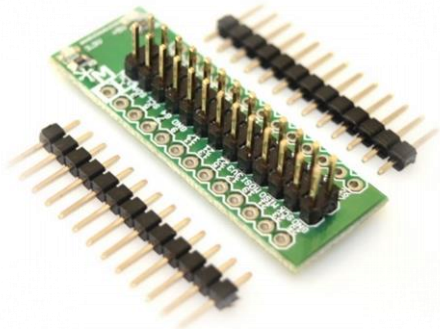
MOD - 22

Raspberry Pi GPIO Adapter with LEDs



Store: store.modulowo.com
Tutorials: academy.modulowo.com
Documentation and schematics: products.modulowo.com
Software and projects: app.modulowo.com
Blog: blog.modulowo.com

Modułowo sp. z o.o.
ul. Mokotowska 1,
00-640 Warsaw, POLAND
E-mail: info@modulowo.com



Raspberry Pi GPIO Adapter with LEDs enables the leading out of signals from the Raspberry Pi to the breadboard. Two LEDs indicate the +3.3V and +5V power supply.

All leads are independent, which means that the adapter can also be used for other purposes. For example, you can connect the ribbon cable 2x5-pin for the programming of SPI or LCD with a 2x7-pin connector to the breadboard.

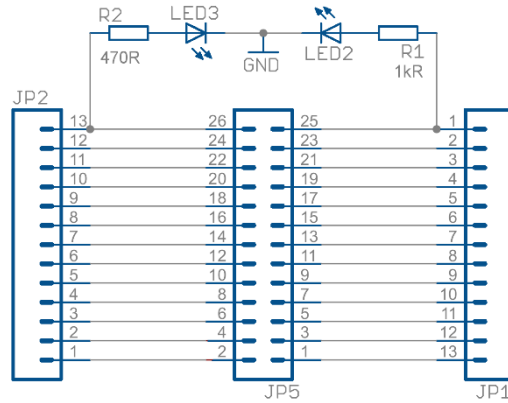
Specifications:

Code and Product Name	MOD-25 Raspberry Pi GPIO Adapter with LEDs
Dimensions	45 mm x 16 mm
LED Indication	yes, for +3.3V and +5V power supply
Additional Information	2x13 pin header mounted

Your list of modules

Each module has a unique serial number. Go to www.modulowo.com/list, enter the serial number and add the module to your list. This will allow quick access to the documentation and software.

Schematic:



MOD-22

Pinouts:

