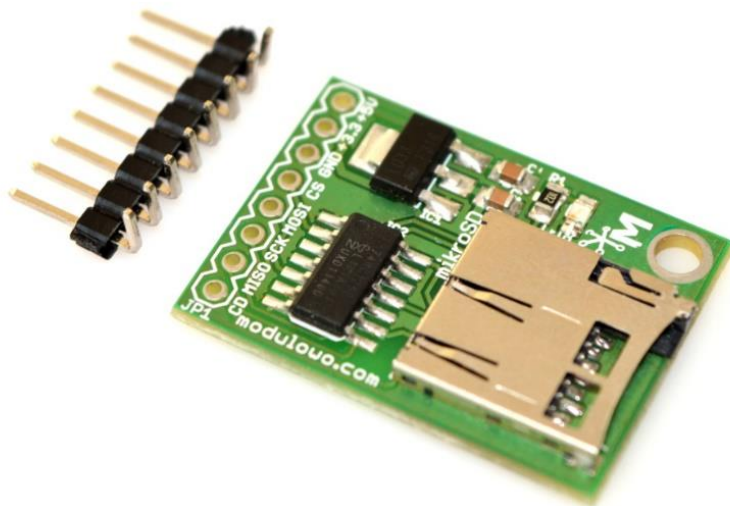


## MOD - 13

microSD Reader Breakout with Buffer and Stabiliser



Store: [store.modulowo.com](https://store.modulowo.com)  
Tutorials: [academy.modulowo.com](https://academy.modulowo.com)  
Documentation and schematics: [products.modulowo.com](https://products.modulowo.com)  
Software and projects: [app.modulowo.com](https://app.modulowo.com)  
Blog: [blog.modulowo.com](https://blog.modulowo.com)

**Modułowo sp. z o.o.**  
ul. Mokotowska 1,  
00-640 Warszawa, POLAND  
E-mail: [info@modulowo.com](mailto:info@modulowo.com)



A miniature microSD card reader allows you to easily connect additional memory to the constructed project using SPI interface. The built-in stabiliser and buffer enable connection of the module to voltage of up to +5V. +3.3V stabiliser output voltage enables the supply of additional modules.

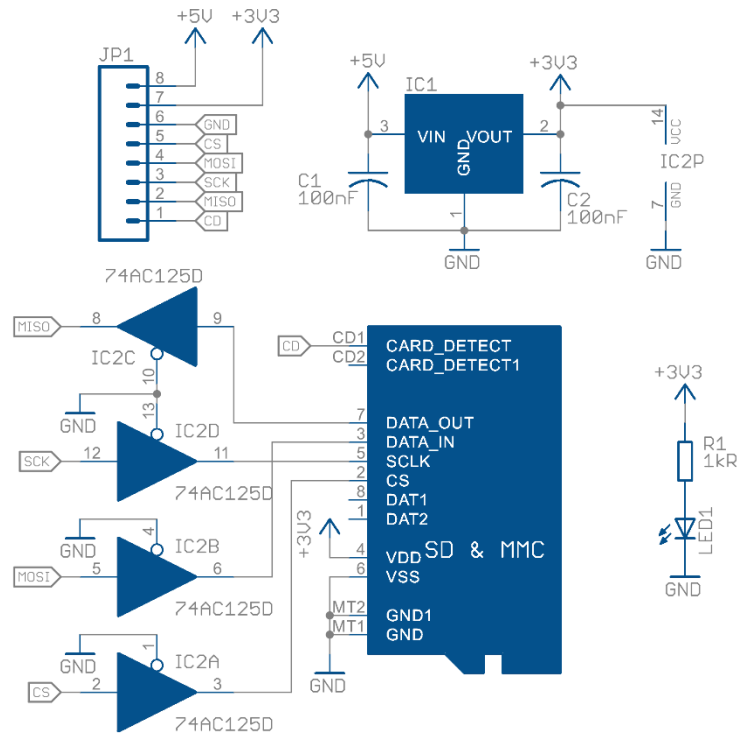
### Specifications:

<b>Code and Product Name</b>	<b>MOD-13 microSD Reader Breakout with Buffer and Stabiliser</b>
<b>Integrated Circuit</b>	74HC125
<b>Output Pins</b>	8-pin
<b>Output Pins Names</b>	CD, MISO, SCK, MOSI, CS, GND, + 3.3V, + 5V
<b>Power</b>	+3.3V or 5V
<b>LED Indication</b>	yes
<b>Dimensions</b>	30 mm x 22 mm
<b>Additional Information</b>	microSD slot
	+3.3V output voltage enables the supply of additional modules

### Your list of modules

Each module has a unique serial number. Go to [www.modulowo.com/list](http://www.modulowo.com/list), enter the serial number and add the module to your list. This will allow quick access to the documentation and software.

Schematic:



MOD-13

Pinouts:

