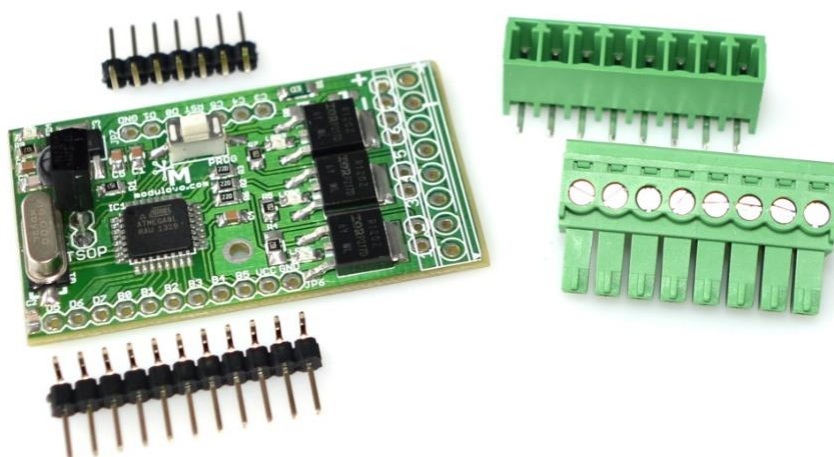


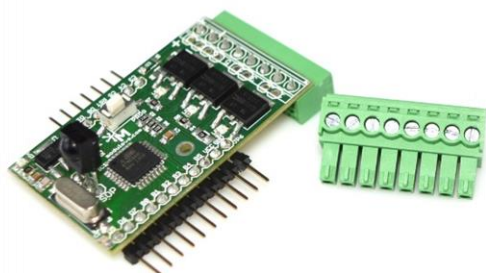
MOD - 09

3-chanel IR Remote Control Switch



Store: store.modulowo.com
Tutorials: academy.modulowo.com
Documentation and schematics: products.modulowo.com
Software and projects: app.modulowo.com
Blog: blog.modulowo.com

Modułowo sp. z o.o.
ul. Mokotowska 1,
00-640 Warsaw, POLAND
E-mail: info@modulowo.com



The module is used for remote control, using any IR remote control that utilizes the popular RC5 code. A small size, built-in 3 channels and routed pins from the microcontroller give you the chance to extend the set with additional functions.

The method of programming is very simple - just press the PROG button on the board and the LED lights up, indicating that the current channel is being programmed. After pressing the button on the remote control, the code will be remembered, and then another LED lights up, indicating another channel. When all three channels are programmed, the LED will display a short animation indicating that the codes have been correctly remembered.

Note! The module supports only RC5 codes. Before purchasing, check whether the remote control supports this type of transmission.

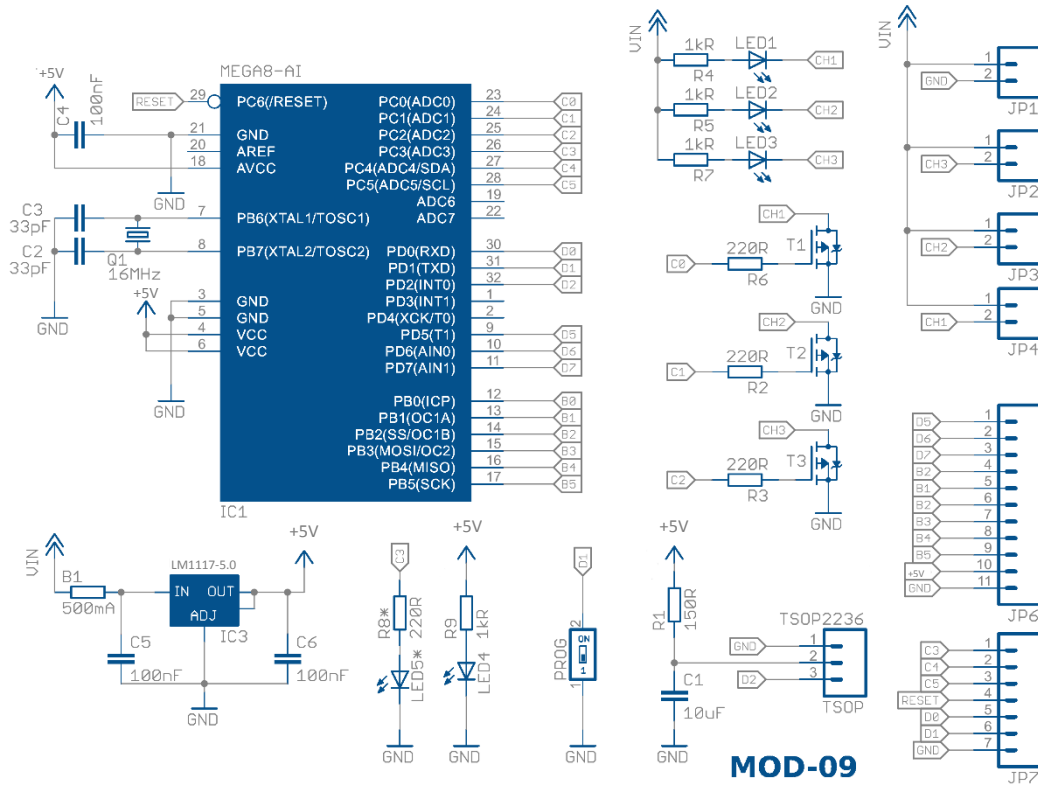
Specifications:

Code and Product Name	MOD-09 3-chanel IR Remote Control Switch
Integrated Circuit	ATmega8A
Protection	Polymer Fuse 500mA for Digital Block
Output Pins	11-pin and 7-pin, EDG 8-pin
Power	+7 V to +12 V
Current Limit	500mA per channel
LED Indication	yes
Dimensions	50 mm x 30 mm
Additional Information	built-in Voltage stabiliser + 5V
	PROG button for programming control IR-codes (RC5)
	programming 10000 times

Your list of modules

Each module has a unique serial number. Go to www.modulowo.com/list, enter the serial number and add the module to your list. This will allow quick access to the documentation and software.

Schematic:



Pinouts:

