

LIN Transceiver with Voltage Regulator

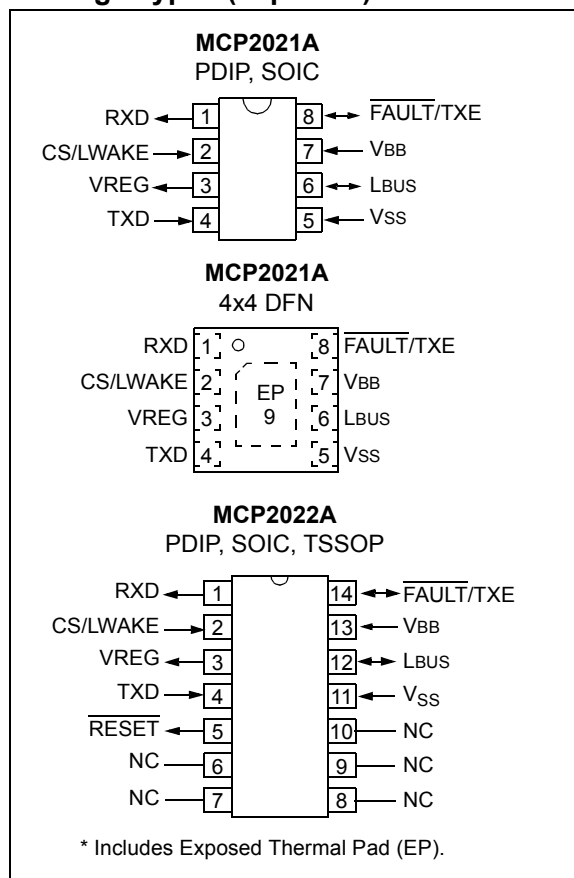
Features

- The MCP2021A/2A is compliant with:
 - LIN Bus Specifications Version 1.3, and 2.x.
 - SAE J2602-2
- Support Baud Rates up to 20 kBaud
- 43V Load Dump Protected
- Maximum Continuous Input Voltage of 30V
- Wide LIN Compliant Supply Voltage, 6.0 - 18.0V
- Extended Temperature Range: -40 to +125°C
- Interface to PIC® EUSART and Standard USARTs
- Wake-up on LIN Bus Activity or Local Wake Input
- LIN Bus Pin
 - Internal Pull-up Termination Resistor and Diode for Slave Node
 - Protected Against VBAT Shorts
 - Protected Against Loss of Ground
 - High Current Drive
- TXD and LIN Bus Dominant Time-out Function
- Two Low-Power Modes
 - TRANSMITTER OFF Mode: 90 µA (typical)
 - POWER DOWN Mode: 4.5µA (typical)
- Output Indicating Internal RESET State (POR or SLEEP Wake)
- MCP2021A/2A On-chip Voltage Regulator
 - Output Voltage of 5.0V or 3.3V 70 mA Capability with Tolerances of ±3% Over Temperature Range
 - Internal Short Circuit Current Limit
 - Only External Filter and Load Capacitors Needed
- Automatic Thermal Shutdown
- High Electromagnetic Immunity (EMI), Low Electromagnetic Emission (EME)
- Robust ESD Performance: ±15 kV for LBUS and VBB pin (IEC61000-4-2)
- Transient Protection for LBUS and VBB Pins in Automotive Environment (ISO7637)
- Meets Stringent Automotive Design Requirements Including “OEM Hardware Requirements for LIN, CAN and FlexRay Interfaces in Automotive Applications”, Version 1.2, March 2011
- Multiple Package Options Including Small 4x4 mm DFN

Description

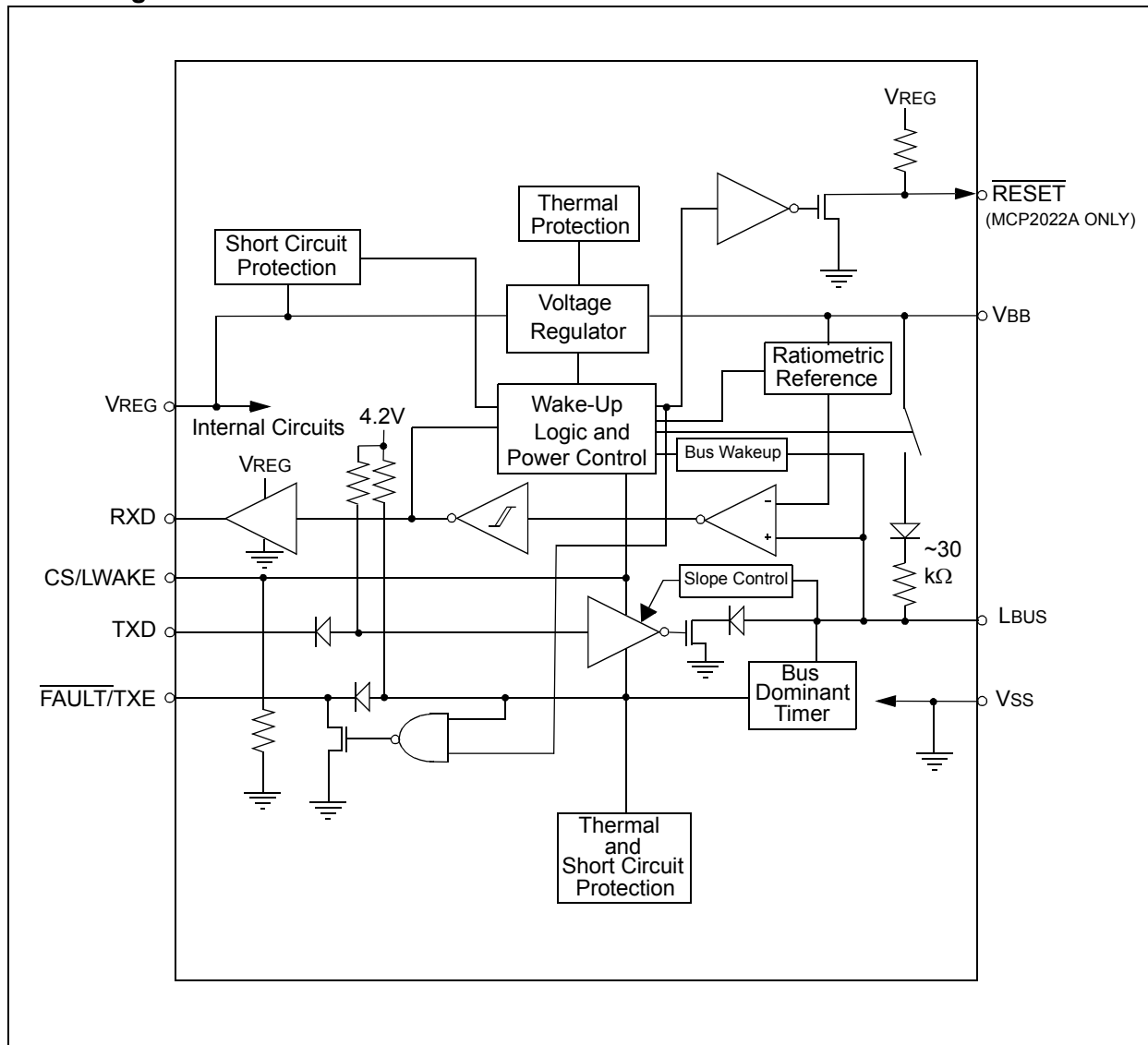
The MCP2021A/2A provides a bidirectional, half-duplex communication physical interface to meet the LIN bus specification Revision 2.1 and SAE J2602-2. The device incorporates a voltage regulator with 5V or 3.3V 70 mA regulated power supply output. The device has been designed to meet the stringent quiescent current requirements of the automotive industry and will survive +43V load dump transients, and double battery jumps.

Package Types (Top View)



MCP2021A/2A

Block Diagram



MCP2021A/2A Family Members

Device	Package	Regulator Output Voltage	RESET Pin
MCP2021A-500	8-PIN DFN, SOIC, PDIP	5.0V	No
MCP2021A-330	8-PIN DFN, SOIC, PDIP	3.3V	No
MCP2022A-500	14-PIN SOIC, TSSOP, PDIP	5.0V	Yes
MCP2022A-330	14-PIN SOIC, TSSOP, PDIP	3.3V	Yes

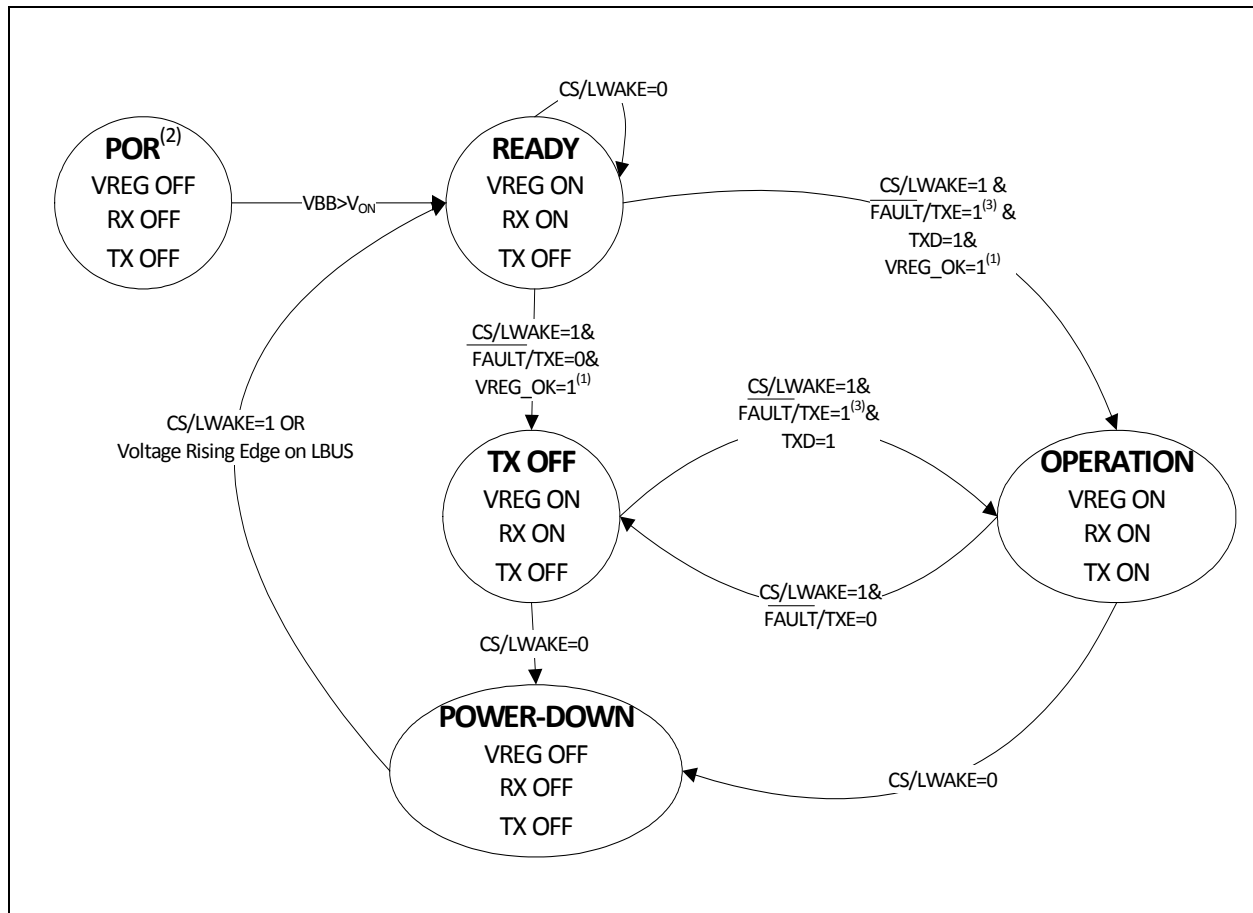
1.0 FUNCTION DESCRIPTION

The MCP2021A/2A provides a physical interface between a microcontroller and a LIN half-duplex bus. It is intended for automotive and industrial applications with serial bus baud rates up to 20 Kbaud. This device will translate the CMOS/TTL logic levels to LIN logic levels, and vice versa. The device offers optimum EMI and ESD performance; it can withstand high voltage on the LIN bus. The device supports two low-power modes to meet automotive industry power consumption requirements. The MCP2021A/2A also provides a +5V or 3.3V 70 mA regulated power output.

1.1 Modes of Operation

The MCP2021A/2A works in five modes: POWER-ON-RESET mode, POWER-DOWN mode, READY mode, OPERATION mode, and TRANSMITTER OFF mode. For an overview of all operational modes, please refer to [Table 1-1](#). For the operational mode transition, please refer to [Figure 1-1](#).

FIGURE 1-1: STATE DIAGRAM



Note 1: VREG_OK : Regulator Output Voltage > 0.8V_{VREG_NOM}.

2: If the voltage on pin VBB falls below V_{OFF}, the device will enter POWER ON RESET mode from all other modes, which is not shown in the figure.

3: FAULT/TXE = 1 represents input high and no fault conditions. FAULT/TXE = 0 represents input low or a fault condition, Refer to [Table 1-3](#).

1.1.1 POWER-ON-RESET MODE

Upon application of V_{BB}, or whenever the voltage on V_{BB} is below the threshold of regulator turn off voltage V_{OFF} (typically 4.50V), the device enters POWER-ON-RESET mode (POR). During this mode, the device maintains the digital section in a reset mode and waits

until the voltage on V_{BB} pin rises above the threshold of regulator turn on voltage V_{ON} (typically 5.75V) to enter to the READY mode. In POWER-ON-RESET mode, the LIN physical layer and voltage regulator are disabled, and RESET output (MCP2022A only) is forced to LOW.

MCP2021A/2A

1.1.2 READY MODE

The device enters READY mode from POR mode after the voltage on VBB rises above the threshold of regulator turn on voltage V_{ON} or from POWER-DOWN mode when a remote or local wake-up event happens.

Upon entering READY mode, the voltage regulator and receiver section of the transceiver are powered up. The transmitter remains in an off state. The device is ready to receive data but not to transmit. In order to minimize the power consumption, the regulator operates in a reduced power mode. It has a lower GBW product and thus is slower. However, the 70 mA drive capability is unchanged.

The device stays in READY mode until the output of the voltage regulator has stabilized and the CS/LWAKE pin is HIGH ('1').

1.1.3 OPERATION MODE

If V_{REG} is OK ($V_{REG} > 0.8V_{REG_NORM}$), and the CS/LWAKE pin, FAULT/TXE pin and TXD pin are HIGH, the part enters OPERATION mode from either READY or TRANSMITTER OFF mode.

In this mode, all internal modules are operational. The internal pull-up resistor between LBUS and VBB is connected only in this mode.

The device goes into POWER-DOWN mode at the falling edge on CS/LWAKE; or to the TRANSMITTER OFF mode at the falling on FAULT/TXE while CS/LWAKE stays HIGH.

1.1.4 TRANSMITTER OFF MODE

In TRANSMITTER OFF mode, the receiver is enabled but the LBUS transmitter is off. It is a lower power mode.

In order to minimize power consumption, the regulator operates in a reduced power mode. It has a lower GBW product and thus is slower. However the 70 mA drive capability is unchanged.

The transmitter may be re-enabled whenever the FAULT/TXE signal returns high, by removing the internal fault condition and the CPU returning the FAULT/TXE high. The transmitter will not be enabled even if the FAULT/TXE pin is brought high externally, when the internal fault is still present. However, externally forcing the FAULT/TXE high while internal fault is still present should be avoided, since this will induce high current and power dissipation in the FAULT/TXE pin.

The transmitter is also turned off whenever the voltage regulator is unstable or recovering from a fault. This prevents unwanted disruption of the bus during times of uncertain operation.

1.1.5 POWER-DOWN MODE

In POWER-DOWN mode, the transceiver and the voltage regulator are both off. Only the Bus Wake-up section and the CS/LWAKE pin wake-up circuits are in operation. This is the lowest power mode.

If any bus activity (e.g. a BREAK character) occurs during POWER-DOWN mode, the device will immediately enter READY mode and enable the voltage regulator. Then, once the regulator output has stabilized (approximately 0.3 ms to 1.2 ms), it goes to OPERATION mode. Refer to [Section 1.1.6 "Remote Wake-up"](#).

The part will also enter READY mode from POWER-DOWN mode, followed by the OPERATION mode, if the CS/LWAKE pin becomes active HIGH ('1').

1.1.6 REMOTE WAKE-UP

The remote wake-up sub module observes the LBUS in order to detect bus activity. In POWER DOWN mode, normal LIN recessive/dominant threshold is disabled, and the LIN bus Wake-Up Voltage Threshold $V_{WK(LBUS)}$ is used to detect bus activities. Bus activity is detected when the voltage on the LBUS falls below the LIN bus Wake-Up Voltage Threshold $V_{WK(LBUS)}$ (approximately 3.5V) for at least t_{BDB} (a typical duration of 80 μ s) followed by a rising edge. Such a condition causes the device to leave POWER-DOWN mode.

TABLE 1-1: OVERVIEW OF OPERATIONAL MODES

State	Transmitter	Receiver	Internal Wake Module	Voltage Regulator	Operation	Comments
POR	OFF	OFF	OFF	OFF	Transfer to READY mode after $V_{BB} > V_{ON}$	
READY	OFF	ON	OFF	ON	If CS/LWAKE high, then proceed to OPERATION or TRANSMITTER OFF mode.	Bus Off state
OPERATION	ON	ON	OFF	ON	If CS/LWAKE low level, then Power down If FAULT/TXE low level, then TRANSMITTER-OFF mode	Normal Operation mode
POWER DOWN	OFF	OFF	ON Activity Detect	OFF	On LIN bus rising edge or CS/LWAKE high level, go to READY mode.	Lowest Power mode
TRANSMITTER-OFF	OFF	ON	OFF	ON	If CS/LWAKE low level, then Power down If FAULT/TXE high, then OPERATION mode	Bus Off state, Lower Power mode

1.2 Pin Descriptions

Please refer to [Table 1-2](#) for the pinout overview.

1.2.1 VBB

Battery Positive Supply Voltage pin. An external diode is connected in series to prevent the device from being reversely powered (refer to [FIGURE 1-9: “Typical Application Circuit”](#)).

1.2.2 VREG

Positive Supply Voltage Regulator Output pin. An on-chip LDO gives +5.0 or +3.3V 70 mA regulated voltage on this pin.

1.2.3 VSS

Ground pin.

1.2.4 TXD

Transmit data input pin (TTL level, HV compliant, adaptive pull-up). The transmitter reads the data stream on TXD pin and sends it to LIN bus. The LBUS pin is low (dominant) when TXD is low, and high (recessive) when TXD is high.

The Transmit Data Input pin has an internal adaptive pull-up to an internally-generated 4.2V (approximately). When TXD is ‘0’, a weak pull-up (~900 kΩ) is used to reduce current. When TXD is ‘1’, a stronger pull-up (~300 kΩ) is used to maintain the logic level. A series reverse-blocking diode allows applying TXD input voltages greater than the internally generated 4.2V and renders TXD pin HV compliant up to 30V (see block diagram).

1.2.5 RXD

Receive Data Output pin. The RXD pin is a standard CMOS output pin and it follows the state of the LBUS pin.

1.2.6 LBUS

LIN Bus pin. LBUS is a bidirectional LIN bus Interface pin and is controlled by the signal TXD. It has an open collector output with a current limitation. To reduce ElectroMagnetic Emission, the slopes during signal changes are controlled, and the LBUS pin has corner-rounding control for both falling and rising edges.

The internal LIN receiver observes the activities on the LIN bus, and generates the output signal RXD that follows the state of the LBUS. A 1st degree 160 kHz, low-pass input filter optimizes ElectroMagnetic immunity.

1.2.7 CS/LWAKE

Chip Select and Local Wake-up Input pin (TTL level, high voltage tolerant). This pin controls the device state transition. Refer to [FIGURE 1-1: “State Diagram”](#).

If $\overline{\text{CS/LWAKE}} = 1$, the device can work in OPERATION mode ($\overline{\text{FAULT/TXE}} = 1$) or TRANSMITTER OFF mode ($\overline{\text{FAULT/TXE}} = 0$).

If $\overline{\text{CS/LWAKE}} = 0$, the device can work in POWER-DOWN mode or READY mode.

An internal pull-down resistor will keep the CS/LWAKE pin low to ensure that no disruptive data will be present on the bus while the microcontroller is executing a Power-on Reset and I/O initialization sequence. When CS/LWAKE is ‘1’, a weak pull-down (~600 kΩ) is used to reduce current. When CS/LWAKE is ‘0’ a stronger pull-down (~300 kΩ) is used to maintain the logic level.

This pin may also be used as a local wake-up input (See [FIGURE 1-9: “Typical Application Circuit”](#)). The microcontroller will set the I/O pin to control the CS/LWAKE. An external switch, or other source, can then wake-up both the transceiver and the microcontroller.

Note: CS/LWAKE should NOT be tied directly to the VREG pin as this could force the MCP2021A/2A into Operation Mode before the microcontroller is initialized.

1.2.8 $\overline{\text{FAULT/TXE}}$

Fault Detect Output/Transmitter Enable Input pin. The output section is HV tolerant open drain (up to 30V). The input section is identical with the TXD section (TTL level, HV compliant, adaptive pull-up). Internal adaptive pull-up maintains this input high '1' if the pin is floating. Its state is defined as shown in [TABLE 1-3: “FAULT/TXE Truth Table”](#). The device is placed in TRANSMITTER OFF mode whenever this pin is LOW ('0'), either from an internal fault condition or by external drive.

If CS/LWAKE is HIGH ('1'), the $\overline{\text{FAULT/TXE}}$ signals a mismatch between the TXD input and the LBUS level. This can be used to detect a bus contention. Since the bus exhibits a propagation delay, the sampling of the internal compare is debounced to eliminate false faults.

After the device wakes up, the $\overline{\text{FAULT/TXE}}$ indicates what wakes the device if CS/LWAKE remains LOW ('0') (refer [Table 1-3](#)).

The $\overline{\text{FAULT/TXE}}$ pin sampled at a rate faster than every 10 μs.

1.2.9 $\overline{\text{RESET}}$ (MCP2022A ONLY)

RESET OUTPUT pin. This pin is open drain with ~90 kΩ pull-up to VREG. It indicates the internal voltage has reached a valid, stable level. As long as the internal voltage is valid (above 0.8 VREG), this pin will remain HIGH ('1'); otherwise the RESET pin switches to LOW ('0').

MCP2021A/2A

TABLE 1-2: PINOUT OVERVIEW

PIN Name	PIN Number		PIN Type	Function
	MCP2021A	MCP2022A		
VREG	3	3	Output	Voltage Regulator Output
VSS	5	11	Power	Ground
VBB	7	13	Power	Battery
TXD	4	4	Input, HV-tolerant	Transmit Data Input
RXD	1	1	Output	Receive Data Output
LBUS	6	12	I/O, HV	LIN Bus
CS/LWAKE	2	2	TTL Input, HV-tolerant	Chip Select and Local Wake-up Input
FAULT/TXE	8	14	I/O, HV-tolerant	Fault Detect Output/Transmitter Enable Input
RESET	-	5	Output	Reset Output

TABLE 1-3: FAULT/TXE TRUTH TABLE

TXD In	RXD Out	LIN bus I/O	Thermal Override	FAULT/TXE		Definition
				External Input	Driven Output	
CS = 1						
L	H	VBB	OFF	H	L	FAULT , TXD driven low, LIN BUS shorted to VBB (Note 1), or LBUS/TXD permanent dominant detected, and Transmit time-out shutdown.
H	H	VBB	OFF	H	H	OK
L	L	GND	OFF	H	H	OK
H	L	GND	OFF	H	H	OK , data is being received from the LIN BUS
x	x	VBB	ON	H	L	FAULT , Transceiver in thermal shutdown
x	x	VBB	x	L	x	NO FAULT , the CPU is commanding the transceiver to turn off the transmitter driver
CS = 0 after a wake-up						
x	x	x	x	x	L	Wake-up from LIN bus activity
x	x	x	x	x	H	Wake-up from POR

Legend: x = don't care

Note 1: The FAULT/TXE is valid after approximately 25 μ s after TXD falling edge. This is to eliminate false fault reporting during bus propagation delays.

1.3 Fail-Safe Features

1.3.1 GENERAL FAIL-SAFE FEATURES

- An internal pull-down resistor on CS/LWAKE pin disables the transmitter if the pin is floating.
- An internal pull-up resistor on the TXD pin places TXD in HIGH thus the LBUS in recessive if TXD pin is floating.
- High-impedance and low-leakage current on LBUS during loss of power or ground.
- The current limit on LBUS protects the transceiver from being damaged if the pin is shorted to VBB.

1.3.2 THERMAL PROTECTION

The thermal protection circuit monitors the die temperature and is able to shut down the LIN transmitter and voltage regulator.

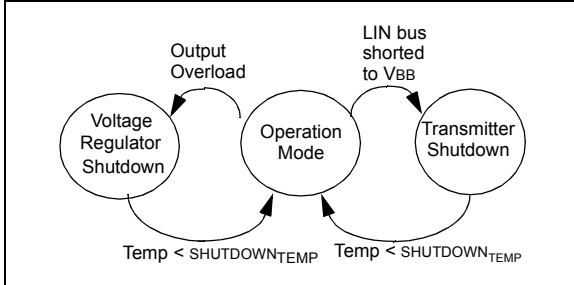
There are three causes for a thermal overload. A thermal shut down can be triggered by any one, or a combination of, the following thermal overload conditions.

- Voltage regulator overload
- LIN bus output overload
- Increase in die temperature due to increase in environment temperature

The recovery time from the thermal shutdown is equal to adequate cooling time.

Driving the TXD and checking the RXD pin make it possible to determine whether there is a bus contention (TXD = high, RXD = low) or a thermal overload condition (TXD = low, RXD = high).

FIGURE 1-2: THERMAL SHUTDOWN STATE DIAGRAMS



1.3.3 TXD/LBUS TIME-OUT TIMER

The LIN bus can be driven to a dominant level either from the TXD pin or externally. An internal timer deactivates the LBUS transmitter if a dominant status (LOW) on the LIN bus lasts longer than Bus Dominant Time-out Time $t_{TO(LIN)}$ (approximately 20 milliseconds). At the same time, RXD output is put in recessive (HIGH), FAULT/TXE is also driven to LOW, and the internal LIN pull-up resistor is disconnected. The timer is reset on any recessive LBUS status or POR mode. The recessive status on LBUS can be caused either by the bus being externally pulled up or by the TXD pin being returned high.

1.4 Internal Voltage Regulator

The MCP2021A/2A has a positive regulator capable of supplying +5.00 or +3.30 VDC $\pm 3\%$ at up to 70 mA of load current over the entire operating temperature range of -40°C to $+125^{\circ}\text{C}$. The regulator uses a LDO design, is short-circuit-protected and will turn the regulator output off if its output falls below the Shutdown Voltage Threshold V_{SD} .

With a load current of 70 mA, the minimum input to output voltage differential required for the output to remain in regulation is typically +0.5V (+1V maximum over the full operating temperature range). Quiescent current is less than 100 μA with a full 70 mA load current when the input to output voltage differential is greater than +3.00V.

Regarding the correlation between V_{BB} , V_{REG} and I_{DD} , please refer to Figure 1-6 and Figure 1-7. When the input voltage (V_{BB}) drops below the differential needed to provide stable regulation, the voltage regulator output V_{REG} will track the input down to approximately V_{OFF} . The regulator will turn off the output at this point. This will allow PIC[®] microcontrollers, with internal POR circuits, to generate a clean arming of the Power-on Reset trip point. The MCP2021A/2A will then monitor V_{BB} and turn on the regulator when V_{BB} is above the threshold of regulator turn on voltage V_{ON} .

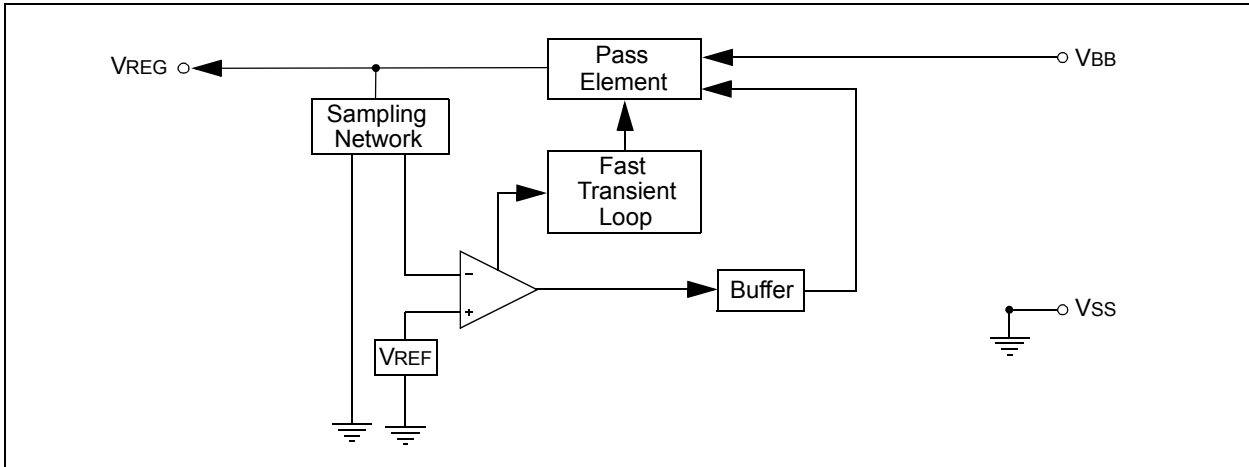
In Power-down mode, the V_{BB} monitor is turned off.

Under specific ambient temperature and battery voltage range, the voltage regulator can output as high as 150mA current. For current load capability of the voltage regulator, refer Figure 1-4 and Figure 1-5.

Note: The regulator overload current limit is approximately 250 mA. The regulator output voltage V_{REG} is monitored. If output voltage V_{REG} is lower than V_{SD} , the voltage regulator will turn off. After a recovery time of about 3mS, the V_{REG} will be checked again. If there is no short circuit ($V_{REG} > V_{SD}$), then the voltage regulator remains on.

The regulator requires an external output bypass capacitor for stability. See Figure 2-1 for correct capacity and ESR for stable operation.

FIGURE 1-3: VOLTAGE REGULATOR BLOCK DIAGRAM



MCP2021A/2A

FIGURE 1-4: 5.0V V_{REG} VS. I_{REG} AT $V_{BB} = 12V$

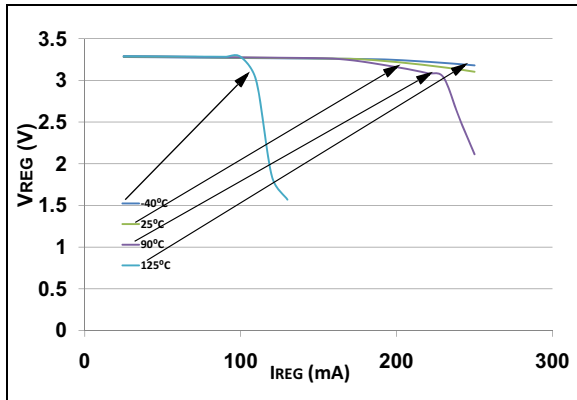


FIGURE 1-5: 3.3V V_{REG} VS. I_{REG} AT $V_{BB} = 12V$

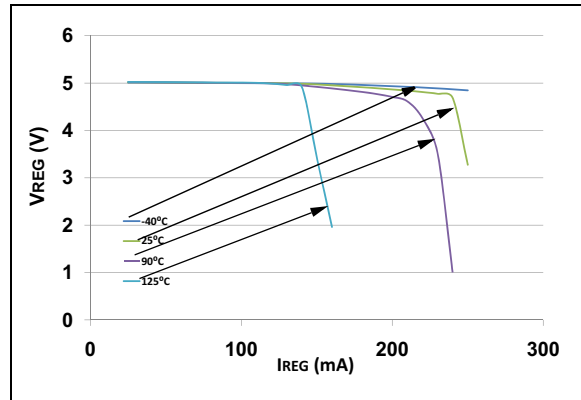
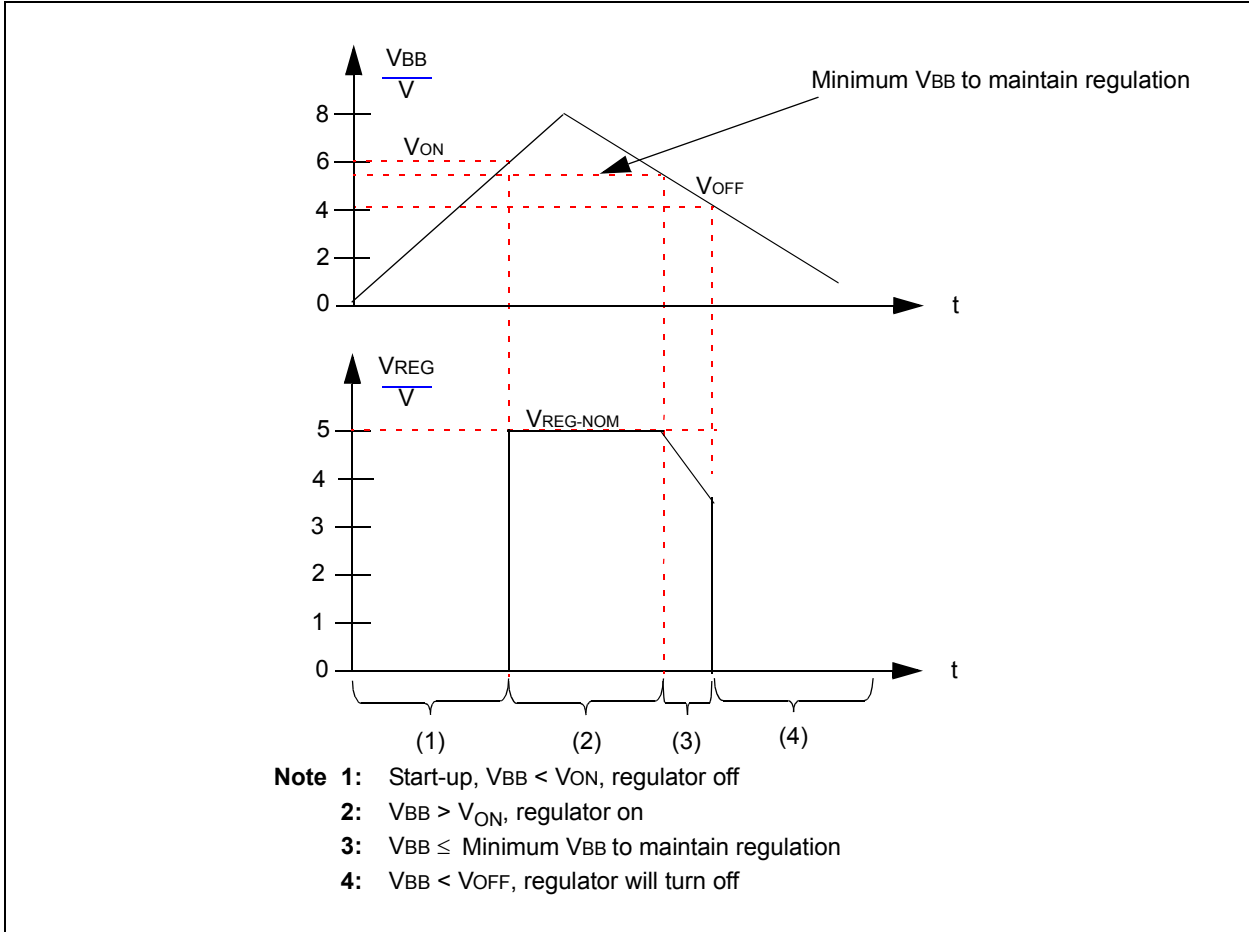
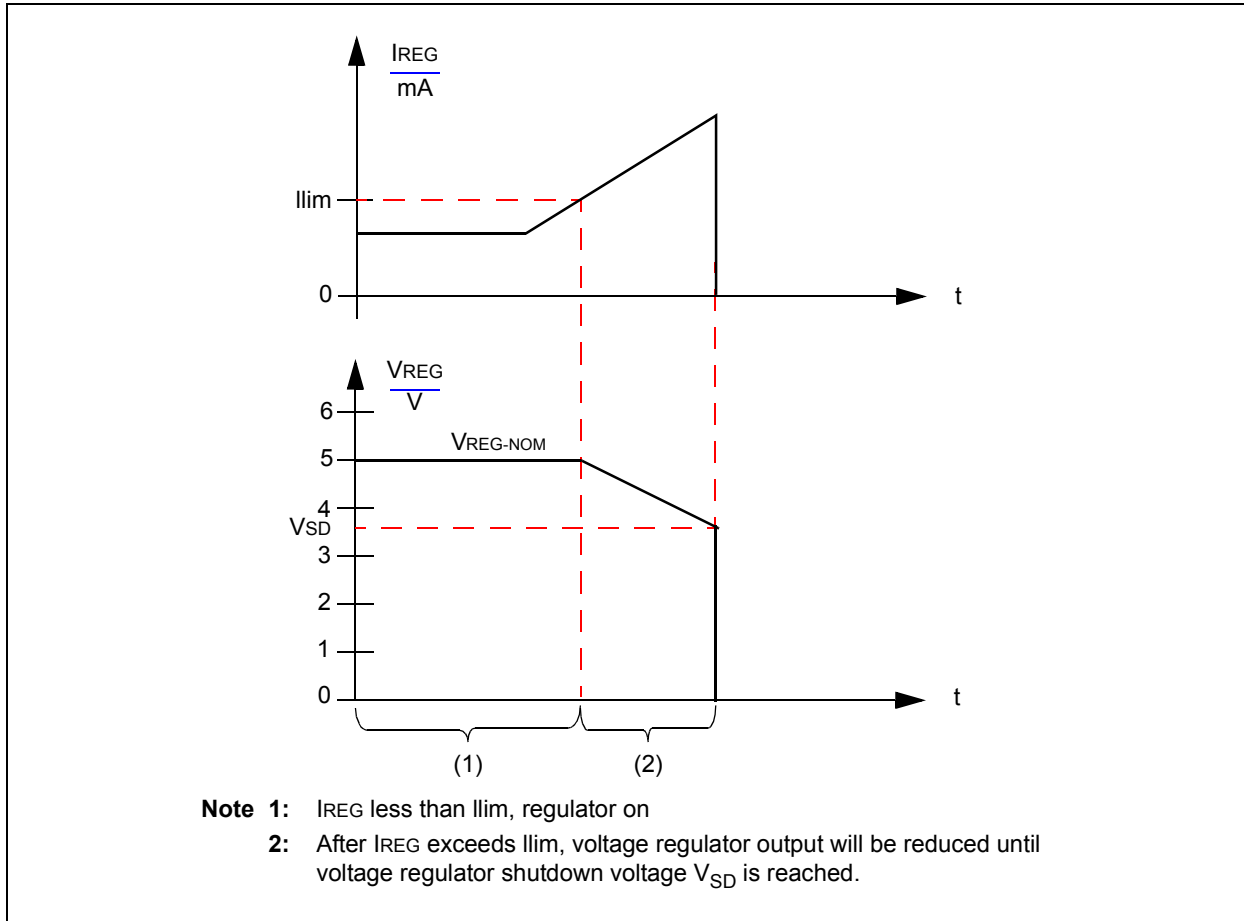


FIGURE 1-6: VOLTAGE REGULATOR OUTPUT ON POWER-ON RESET



MCP2021A/2A

FIGURE 1-7: VOLTAGE REGULATOR OUTPUT ON OVER-CURRENT SITUATION



1.5 Optional External Protection

1.5.1 REVERSE BATTERY PROTECTION

An external reverse-battery-blocking diode should be used to provide polarity protection (see Figure 1-9).

1.5.2 TRANSIENT VOLTAGE PROTECTION (LOAD DUMP)

An external 43V transient suppressor (TVS) diode, between V_{BB} and ground, with a transient protection resistor (RTP) in series with the battery supply and the V_{BB} pin protects the device from power transients and ESD events greater than 43V (see Figure 1-9). The maximum value for the RTP protection resistor depends upon two parameters: the minimum voltage the part will start at, and the impacts of this RTP resistor on the V_{BB} value, thus on the Bus recessive level and slopes.

This leads to a set of three equations to fulfill.

Equation 1-1 provides a max RTP value according to the minimum battery voltage the user wants.

Equation 1-2 provides a max RTP value according to the maximum error on the recessive level, thus V_{BB} , since the part uses V_{BB} as the reference value for the recessive level.

Equation 1-3 provides a max RTP value according to the maximum relative variation the user can accept on the slope when I_{REG} varies.

Since both Equation 1-1 and Equation 1-2 must be fulfilled, the maximum allowed value for RTP is thus the smaller of the two values found when solving Equation 1-1 and Equation 1-2.

Usually Equation 1-1 gives the higher constraint (smaller value) for RTP as shown in the following example where V_{BATmin} is 8V.

However, the user needs to check that the value found with Equation 1-1 fulfills Equation 1-2 and Equation 1-3 as well.

While this protection is optional, it should be considered as good engineering practice.

EQUATION 1-1:

$$R_{TP} \leq \frac{V_{BATmin} - 5.5V}{250mA}$$

$$5.5V = V_{OFF} + 1.0V$$

250 mA is the peak current at power-on when VBB = 5.5V

Assume VBATMIN = 8V. Equation 1-1 shows 10Ω.

EQUATION 1-2:

$$R_{TP} \leq \Delta V_{RECESSIVE} / I_{REGMAX}$$

ΔVRECESSIVE is the maximum variation tolerated on the recessive level

Assume ΔVRECESSIVE = 1V and IREGMAX = 50 mA. Equation 1-2 shows 20Ω.

EQUATION 1-3:

$$R_{TP} \leq \frac{\Delta Slope \times (V_{BATmin} - 1V)}{I_{regmax}}$$

ΔSlope is the maximum variation tolerated on the slope level and IREGMAX is the maximum current the regulator will provide to the load. VBATmin > VOFF + 1.0V.

Assume ΔSlope = 15%, VBATMIN = 8V and IREGMAX = 50 mA. Equation 1-2 shows 20Ω.

1.5.3 CBAT CAP

Selecting CBAT = 10* CREG is recommended, however, this leads to a high value cap. Lower values for CBAT cap can be used with respect to some rules. In any case, the voltage at the VBB pin should remain above VOFF when the device is turned on.

The current peak at start-up (due to the fast charge of the CREG and CBAT capacitors) may induce a significant drop on the VBB pin. This drop is proportional to the impedance of the VBAT connection (see Figure 1-9).

Assume that the VBAT connection is mainly inductive and resistive, and that the customer knows the resistive and inductive values of the connection.

The following formula gives an indication of the minimum value the customer should use for CBAT:

EQUATION 1-4:

$$\frac{C_{BAT}}{C_{REG}} = \sqrt{\frac{100L^2 + R_{tot}^2}{1 + L^2 + \frac{R_{tot}^2}{100}}}$$

where L is in mH and Rtot in Ω.
Rtot = Rline + RTP.

Equation 1-4 allows lower CBAT/CREG values than the 10* ratio we recommend.

Let's assume that we have a good quality connection with RTOT = 0.1Ω and L = 0.1 mH.

Solving the equation gives CBAT/CREG = 1.

If we increase RTOT up to 1Ω, the result becomes CBAT/CREG = 1.4.

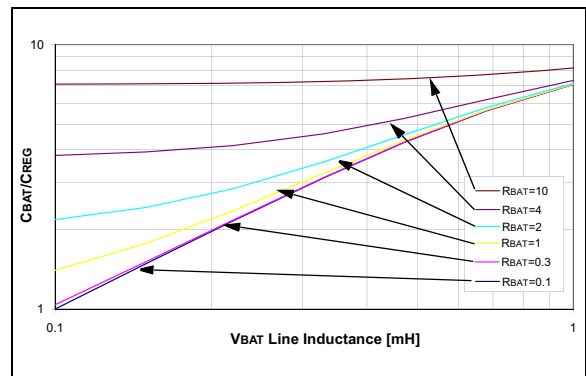
But if the connection is highly resistive or highly inductive (poor connection), the CBAT/CREG ratio greatly increases.

Highly inductive connection: Let's have RTOT = 0.1Ω and L = 1 mH: the CBAT/CREG ratio increases to 7!

Highly resistive connection: Let's have RTOT = 10Ω and L = 0.1 mH: again the CBAT/CREG ratio increases to 7!

Figure 1-8 shows the minimum recommended CBAT/CREG ratio as a function of the impedance of the VBAT connection.

FIGURE 1-8: Minimum Recommended CBAT/CREG Ratio



MCP2021A/2A

1.6 Typical Applications

FIGURE 1-9: TYPICAL APPLICATION CIRCUIT

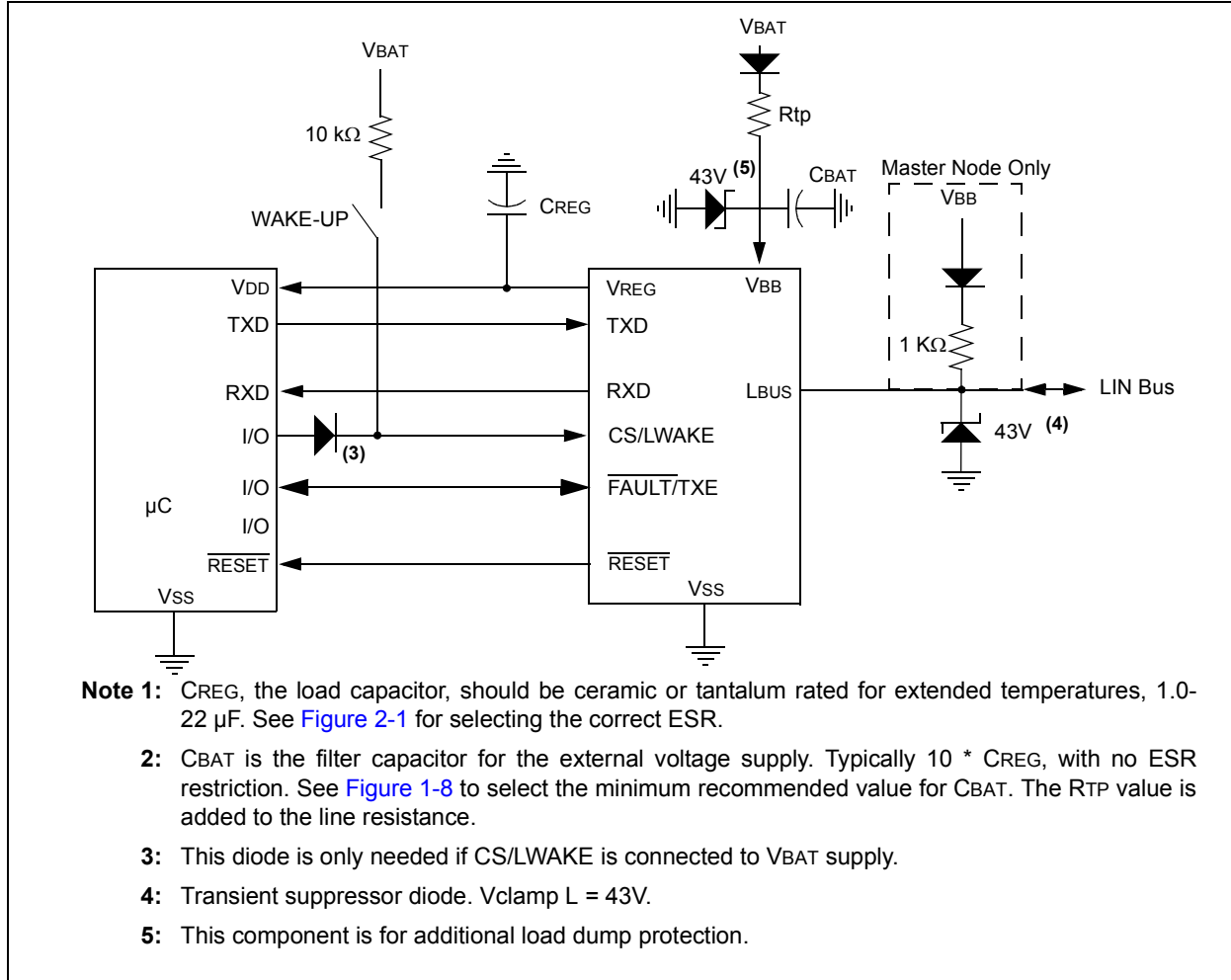
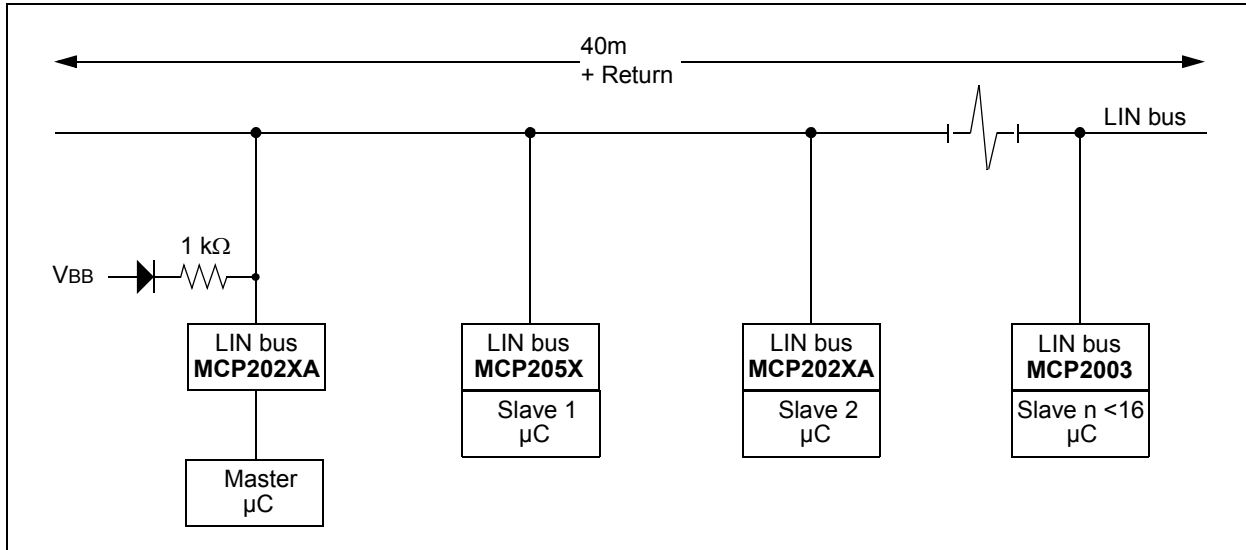


FIGURE 1-10: TYPICAL LIN NETWORK CONFIGURATION



1.7 ICSP™ Considerations

The following should be considered when the MCP2021A/2A is connected to pins supporting in-circuit programming:

- Power used for programming the microcontroller can be supplied from the programmer, or from the MCP2021A/2A.
- The voltage on the pin VREG should not exceed the maximum value of VREG in [Section 2.3 “DC Specifications”](#) .

MCP2021A/2A

NOTES:

2.0 ELECTRICAL CHARACTERISTICS

2.1 Absolute Maximum Ratings†

V _{IN} DC Voltage on RXD, and $\overline{\text{RESET}}$	-0.3V to V _{REG} +0.3
V _{IN} DC Voltage on TXD, CS/LWAKE, $\overline{\text{FAULT}}/\text{TXE}$	-0.3 to +40V
V _{BB} Battery Voltage, continuous, non-operating (Note 1).....	-0.3 to +40V
V _{BB} Battery Voltage, non-operating (LIN bus recessive, no regulator load, t < 60s) (Note 2)	-0.3 to +43V
V _{BB} Battery Voltage, transient ISO 7637 Test 1	-100V
V _{BB} Battery Voltage, transient ISO 7637 Test 2a	+75V
V _{BB} Battery Voltage, transient ISO 7637 Test 3a	-150V
V _{BB} Battery Voltage, transient ISO 7637 Test 3b	+100V
V _{LBUS} Bus Voltage, continuous.....	-18 to +30V
V _{LBUS} Bus Voltage, transient (Note 3).....	-27 to +43V
I _{LBUS} Bus Short Circuit Current Limit.....	200 mA
ESD protection on LIN, V _{BB} (IEC 61000-4-2) (Note 4).....	±15 KV
ESD protection on LIN, V _{BB} (Human Body Model) (Note 5).....	±8 KV
ESD protection on all other pins (Human Body Model) (Note 5)	±4 KV
ESD protection on all pins (Charge Device Model) (Note 6)	±1500V
ESD protection on all pins (Machine Model) (Note 7).....	±200V
Maximum Junction Temperature	150°C
Storage Temperature	-65 to +150°C

Note 1: LIN 2.x compliant specification.

2: SAE J2602-2 compliant specification.

3: ISO 7637/1 load dump compliant (t < 500 ms).

4: According to IEC 61000-4-2, 330 ohm, 150 pF and Transceiver EMC Test Specifications [2] to [4].

5: According to AEC-Q100-002 / JESD22-A114.

6: According to AEC-Q100-011B.

7: According to AEC-Q100-003 / JESD22-A115.

† **NOTICE:** Stresses above those listed under “Maximum Ratings” may cause permanent damage to the device. This is a stress rating only and functional operation of the device at those or any other conditions above those indicated in the operational listings of this specification is not implied. Exposure to maximum rating conditions for extended periods may affect device reliability.

2.2 Nomenclature Used in This Document

Some terms and names used in this data sheet deviate from those referred to in the LIN specifications. Equivalent values are shown below.

LIN 2.1 Name	Term used in the following tables	
V _{BAT}	<i>not used</i>	ECU operating voltage
V _{SUP}	V _{BB}	Supply voltage at device pin
V _{BUS_LIM}	ISC	Current limit of Driver
V _{BUSREC}	V _{IH} (LBUS)	Recessive state
V _{BUSDOM}	V _{IL} (LBUS)	Dominant state

MCP2021A/2A

2.3 DC Specifications

DC Specifications	Electrical Characteristics: Unless otherwise indicated, all limits are specified for: $V_{BB} = 6.0V$ to $18.0V$ $T_A = -40^{\circ}C$ to $+125^{\circ}C$					
	Parameter	Sym.	Min.	Typ.	Max.	Units
Power						
V _{BB} Quiescent Operating Current	IBBQ	—	—	200	μA	I _{OUT} = 0 mA, L _{BUS} recessive $V_{REG} = 5.0V$
		—	—	200	μA	I _{OUT} = 0 mA, L _{BUS} recessive $V_{REG} = 3.3V$
V _{BB} READY Current	IBBRD	—	—	100	μA	I _{OUT} = 0 mA, L _{BUS} recessive $V_{REG} = 5.0V$
		—	—	100	μA	I _{OUT} = 0 mA, L _{BUS} recessive $V_{REG} = 3.3V$
V _{BB} Transmitter-off Current	IBBTO	—	—	100	μA	With voltage regulator on, transmitter off, receiver on, $\overline{FAULT}/TXE = V_{IL}$, $CS = V_{IH}$, $V_{REG} = 5.0V$
		—	—	100	μA	With voltage regulator on, transmitter off, receiver on, $\overline{FAULT}/TXE = V_{IL}$, $CS = V_{IH}$, $V_{REG} = 3.3V$
V _{BB} Power-down Current	IBBPD	—	4.5	8	μA	With voltage regulator powered-off, receiver on and transmitter off, $\overline{FAULT}/TXE = V_{IH}$, $TXD = V_{IH}$, $CS = V_{IL}$)
V _{BB} Current with V _{SS} Floating	IBBNOGND	-1	—	1	mA	$V_{BB} = 12V$, GND to V_{BB} , $V_{LIN} = 0-18V$
Microcontroller Interface						
High Level Input Voltage (T _{xD} , \overline{FAULT}/TXE)	V _{IH}	2.0	—	$V_{REG} + 0.3$	V	
Low Level Input Voltage (T _{xD} , \overline{FAULT}/TXE)	V _{IL}	-0.3	—	0.8	V	
High Level Input Current (T _{xD} , \overline{FAULT}/TXE)	I _{IH}	-2.5	—	0.4	μA	Input voltage = 4.0V. ~800 k Ω internal adaptive pull-up
Low Level Input Current (T _{xD} , \overline{FAULT}/TXE)	I _{IL}	-10	—	—	μA	Input voltage = 0.5V. ~800 k Ω internal adaptive pull-up
High Level Input Voltage (CS/LWAKE)	V _{IH}	2.0	—	V_{BB}	V	Through a current-limiting resistor
Low Level Input Voltage (CS/LWAKE)	V _{IL}	-0.3	—	0.8	V	
High Level Input Current (CS/LWAKE)	I _{IH}	—	—	8.0	μA	Input voltage = $0.8V_{REG}$ ~1.3 M Ω internal pull-down to V _{SS}

2.3 DC Specifications (Continued)

DC Specifications	Electrical Characteristics: Unless otherwise indicated, all limits are specified for: $V_{BB} = 6.0V$ to $18.0V$ $T_A = -40^{\circ}C$ to $+125^{\circ}C$						
	Parameter	Sym.	Min.	Typ.	Max.	Units	Conditions
Low Level Input Current (CS/LWAKE)	IIL	—	—	—	5.0	μA	Input voltage = $0.2V_{REG}$ ~ $1.3 M\Omega$ internal pull-down to V_{SS}
Low Level Output Voltage (RXD)	VOLRXD	—	—	—	$0.2V_{REG}$	V	$I_{OL} = 2$ mA
High Level Output Voltage (RXD)	VOHRXD	$0.8V_{REG}$	—	—	—	V	$I_{OH} = 2$ mA
Low Level Output Voltage (FAULT/TXE)	VOLOD	—	—	—	1.0	V	$I_{OL} = 4$ mA
Low Level Output Voltage (RESET)	VOLRST	—	—	—	1.0	V	$I_{OL} = 4$ mA

MCP2021A/2A

2.3 DC Specifications (Continued)

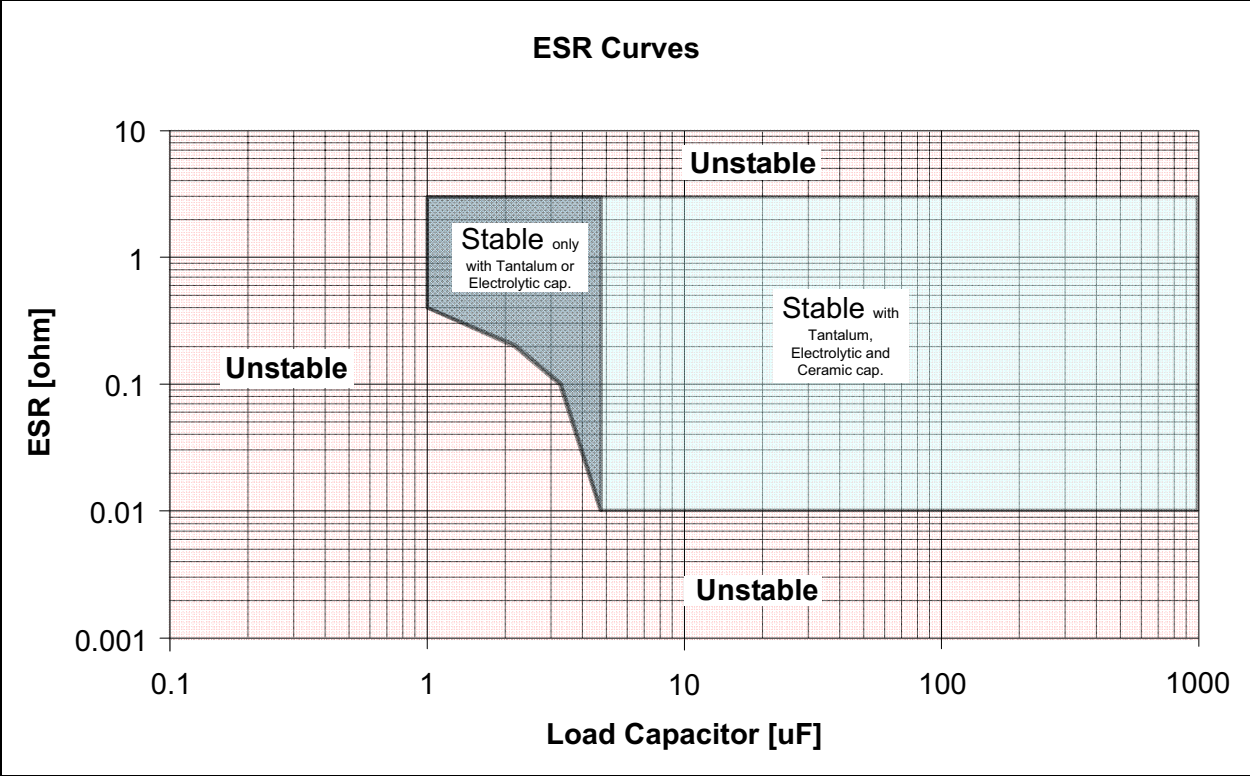
DC Specifications	Electrical Characteristics: Unless otherwise indicated, all limits are specified for: $V_{BB} = 6.0V$ to $18.0V$ $T_A = -40^{\circ}C$ to $+125^{\circ}C$						
	Parameter	Sym.	Min.	Typ.	Max.	Units	Conditions
Bus Interface (DC specifications are for a V_{BB} range of 6.0 to 18.0V)							
High Level Input Voltage	$V_{IH(LBUS)}$	$0.6 V_{BB}$	—	—	—	V	Recessive state
Low Level Input Voltage	$V_{IL(LBUS)}$	-8	—	—	$0.4 V_{BB}$	V	Dominant state
Input Hysteresis	V_{HYS}	—	—	—	$0.175 V_{BB}$	V	$V_{IH(LBUS)} - V_{IL(LBUS)}$
Low Level Output Current	$I_{OL(LBUS)}$	40	—	—	200	mA	Output voltage = $0.1 V_{BB}$, $V_{BB} = 12V$
Pull-up Current on Input	$I_{PU(LBUS)}$	-180	—	—	-72	μA	~30 k Ω internal pull-up @ $V_{IH(LBUS)} = 0.7 V_{BB}$, $V_{BB} = 12V$
Short Circuit Current Limit	I_{SC}	50	—	—	200	mA	(Note 1)
High Level Output Voltage	$V_{OH(LBUS)}$	$0.8 V_{BB}$	—	—	V_{BB}	V	
Driver Dominant Voltage	$V_{_LOSUP}$	—	—	—	1.1	V	$V_{BB} = 7.3V$, $R_{LOAD} = 1000\Omega$
Driver Dominant Voltage	$V_{_HISUP}$	—	—	—	1.2	V	$V_{BB} = 18V$, $R_{LOAD} = 1000\Omega$
Input Leakage Current (at the receiver during dominant bus level)	$I_{BUS_PAS_DOM}$	-1	—	—	—	mA	Driver off, $V_{BUS} = 0V$, $V_{BB} = 12V$
Input Leakage Current (at the receiver during recessive bus level)	$I_{BUS_PAS_REC}$	-20	—	—	20	μA	Driver off, $8V < V_{BB} < 18V$ $8V < V_{BUS} < 18V$ $V_{BUS} \geq V_{BB}$
Leakage Current (disconnected from ground)	$I_{BUS_NO_GND}$	-10	—	—	+10	μA	$GND_{DEVICE} = V_{BB}$, $0V < V_{BUS} < 18V$, $V_{BB} = 12V$
Leakage Current (disconnected from V_{BB})	$I_{BUS_NO_PWR}$	-10	—	—	+10	μA	$V_{BB} = GND$, $0 < V_{BUS} < 18V$
Receiver Center Voltage	V_{BUS_CNT}	$0.475 V_{BB}$	0.5 V_{BB}	—	$0.525 V_{BB}$	V	$V_{BUS_CNT} = (V_{IL(LBUS)} + V_{IH(LBUS)})/2$
Slave Termination	R_{SLAVE}	20	30	—	47	k Ω	(Note 2)
Capacitance of slave node	C_{SLAVE}	—	—	—	50	pF	(Note 2)
Wake-Up Voltage Threshold on LIN Bus	$V_{WK(LBUS)}$	—	—	—	3.4	V	Wake up from POWER-DOWN mode (Note 3)
Note 1: Internal current limited. 2.0 ms maximum recovery time ($R_{LBUS} = 0\Omega$, $T_X = 0$, $V_{LBUS} = V_{BB}$). 2: For design guidance only, not tested. 3: In POWER DOWN mode, normal LIN recessive/dominant threshold is disabled; $V_{WK(LBUS)}$ is used to detect bus activities.							

2.3 DC Specification (Continued)

DC Specifications	Electrical Characteristics:					
	Unless otherwise indicated, all limits are specified for: $V_{BB} = 6.0V$ to $18.0V$ $T_A = -40^{\circ}C$ to $+125^{\circ}C$ $C_{LOADREG} = 10 \mu F$					
Parameter	Sym.	Min.	Typ.	Max.	Units	Conditions
Voltage Regulator - 5.0V						
Output Voltage Range	V_{REG}	4.85	5.00	5.15	V	$0 \text{ mA} < I_{OUT} < 70 \text{ mA}$
Line Regulation	ΔV_{OUT1}	—	10	50	mV	$I_{OUT} = 1 \text{ mA}$, $6.0V < V_{BB} < 18V$
Load Regulation	ΔV_{OUT2}	—	10	50	mV	$5 \text{ mA} < I_{OUT} < 70 \text{ mA}$ $6.0V < V_{BB} < 12V$
Power Supply Ripple Reject	PSRR	—	—	50	dB	$1 V_{PP}$ @10-20 kHz $I_{LOAD} = 20 \text{ mA}$
Output Noise Voltage	eN	—	—	100	μV_{RMS}	10 Hz – 40 MHz $C_{FILTER} = 10 \mu f$, $C_{BP} = 0.1 \mu f$, $I_{LOAD} = 20 \text{ mA}$
Shutdown Voltage Threshold	V_{SD}	3.5	—	4.0	V	See Figure 1-7 (Note 1)
Input Voltage to Turn Off Output	V_{OFF}	3.9	—	4.5	V	
Input Voltage to Turn On Output	V_{ON}	5.25	—	6.0	V	
Voltage Regulator - 3.3V						
Output Voltage	V_{REG}	3.20	3.30	3.40	V	$0 \text{ mA} < I_{OUT} < 70 \text{ mA}$
Line Regulation	ΔV_{OUT1}	—	10	50	mV	$I_{OUT} = 1 \text{ mA}$, $6.0V < V_{BB} < 18V$
Load Regulation	ΔV_{OUT2}	—	10	50	mV	$5 \text{ mA} < I_{OUT} < 70 \text{ mA}$, $6.0V < V_{BB} < 12V$
Power Supply Ripple Reject	PSRR	—	—	50	dB	$1 V_{PP}$ @10-20 kHz , $I_{LOAD} = 20 \text{ mA}$
Output Noise Voltage	eN	—	—	100	$\mu V_{RMS} / \sqrt{Hz}$	10 Hz – 40 MHz $C_{FILTER} = 10 \mu f$, $C_{BP} = 0.1 \mu f$, $I_{LOAD} = 20 \text{ mA}$
Shutdown Voltage	V_{SD}	2.5	—	2.7	V	See Figure 1-7 (Note 1)
Input Voltage to Turn Off Output	V_{OFF}	3.9	—	4.5	V	
Input Voltage to Turn On Output	V_{ON}	5.25	—	6	V	
Note 1: For design guidance only, not tested.						

MCP2021A/2A

FIGURE 2-1: ESR CURVES FOR LOAD CAPACITOR SELECTION



2.4 AC Specification

AC CHARACTERISTICS		V _{BB} = 6.0V to 18.0V; T _A = -40°C to +125°C				
Parameter	Sym.	Min.	Typ.	Max.	Units	Test Conditions
Bus Interface - Constant Slope Time Parameters (DC specifications are for a V_{BB} range of 6.0 to 18.0V)						
Slope rising and falling edges	t _{SLOPE}	3.5	—	22.5	μs	7.3V ≤ V _{BB} ≤ 18V
Propagation Delay of Transmitter	t _{TRANSPD}	—	—	5.0	μs	t _{TRANSPD} = max (t _{TRANSPDR} or t _{TRANSPDF})
Propagation Delay of Receiver	t _{RECPD}	—	—	6.0	μs	t _{RECPD} = max (t _{RECPDR} or t _{RECPDF})
Symmetry of Propagation Delay of Receiver rising edge w.r.t. falling edge	t _{RECSYM}	-2.0	—	2.0	μs	t _{RECSYM} = max (t _{RECPDF} - t _{RECPDR}) RRXD 2.4 kΩ to V _{CC} , CRXD 20 pF
Symmetry of Propagation Delay of Transmitter rising edge w.r.t. falling edge	t _{TRANSSYM}	-2.0	—	2.0	μs	t _{TRANSSYM} = max (t _{TRANSPDF} - t _{TRANSPDR})
Bus dominant time-out time	t _{TO(LIN)}	—	25	—	mS	
Time to sample FAULT/TXE for bus conflict reporting	t _{FAULT}	—	—	32.5	μs	t _{FAULT} = max (t _{TRANSPD} + t _{SLOPE} + t _{RECPD})
Duty Cycle 1 @20.0 kbit/sec		.396	—	—	%t _{BIT}	CBUS;RBUS conditions: 1 nF; 1 kΩ 6.8 nF; 660Ω 10 nF; 500Ω THREC(MAX) = 0.744 x V _{BB} , THDOM(MAX) = 0.581 x V _{BB} , V _{BB} = 7.0V - 18V; t _{BIT} = 50 μs. D1 = t _{BUS_REC(MIN)} / 2 x t _{BIT})
Duty Cycle 2 @20.0 kbit/sec		—	—	.581	%t _{BIT}	CBUS;RBUS conditions: 1 nF; 1 kΩ 6.8 nF; 660Ω 10 nF; 500Ω THREC(MAX) = 0.284 x V _{BB} , THDOM(MAX) = 0.422 x V _{BB} , V _{BB} = 7.6V - 18V; t _{BIT} = 50 μs. D2 = t _{BUS_REC(MAX)} / 2 x t _{BIT})
Duty Cycle 3 @10.4 kbit/sec		.417	—	—	%t _{BIT}	CBUS;RBUS conditions: 1 nF; 1 kΩ 6.8 nF; 660Ω 10 nF; 500Ω THREC(MAX) = 0.778 x V _{BB} , THDOM(MAX) = 0.616 x V _{BB} , V _{BB} = 7.0V - 18V; t _{BIT} = 96 μs. D3 = t _{BUS_REC(MIN)} / 2 x t _{BIT})
Duty Cycle 4 @10.4 kbit/sec		—	—	.590	%t _{BIT}	CBUS;RBUS conditions: 1 nF; 1 kΩ 6.8 nF; 660Ω 10 nF; 500Ω THREC(MAX) = 0.251 x V _{BB} , THDOM(MAX) = 0.389 x V _{BB} , V _{BB} = 7.6V - 18V; t _{BIT} = 96 μs. D4 = t _{BUS_REC(MAX)} / 2 x t _{BIT})

MCP2021A/2A

2.4 AC Specification (Continued)

AC CHARACTERISTICS		$V_{BB} = 6.0V$ to $18.0V$; $T_A = -40^{\circ}C$ to $+125^{\circ}C$				
Parameter	Sym.	Min.	Typ.	Max.	Units	Test Conditions
Voltage Regulator						
Bus Activity Debounce time	t_{BDB}	30	80	250	μs	
Bus Activity to Voltage Regulator Enabled	$t_{BACTIVE}$	35	—	200	μs	
Voltage Regulator Enabled to Ready	t_{VEVR}	300	—	1200	μs	(Note 1)
Chip Select to Ready Mode	t_{CSR}	—	—	230	μs	(Note 2)
Chip Select to Power-down	t_{CSPD}	—	—	330	μs	(Note 2)
Short circuit to shut-down	$t_{SHUTDOWN}$	20	—	100	μs	
RESET Timing						
VREG OK detect to RESET inactive	t_{RPU}	—	—	60	μs	(Note 2)
VREG not OK detect to RESET active	t_{RPD}	—	—	60	μs	(Note 2)

Note 1: Time depends on external capacitance and load. Test condition: $C_{REG} = 4.7\mu F$, no resistor load.

2: For design guidance only, not tested.

2.5 Thermal Specifications

THERMAL CHARACTERISTICS					
Parameter	Symbol	Typ.	Max.	Units	Test Conditions
Recovery Temperature	$\theta_{RECOVERY}$	+140	—	$^{\circ}C$	
Shutdown Temperature	$\theta_{SHUTDOWN}$	+150	—	$^{\circ}C$	
Short Circuit Recovery Time	t_{THERM}	1.5	5.0	ms	
Thermal Package Resistances					
Thermal Resistance, 8L-PDIP	θ_{JA}	89.3	—	$^{\circ}C/W$	
Thermal Resistance, 8L-SOIC	θ_{JA}	149.5	—	$^{\circ}C/W$	
Thermal Resistance, 8L-DFN	θ_{JA}	48	—	$^{\circ}C/W$	
Thermal Resistance, 14L-PDIP	θ_{JA}	70	—	$^{\circ}C/W$	
Thermal Resistance, 14L-SOIC	θ_{JA}	95.3	—	$^{\circ}C/W$	
Thermal Resistance, 14L-TSSOP	θ_{JA}	100	—	$^{\circ}C/W$	

Note 1: The maximum power dissipation is a function of T_{JMAX} , θ_{JA} and ambient temperature T_A . The maximum allowable power dissipation at an ambient temperature is $P_D = (T_{JMAX} - T_A) \theta_{JA}$. If this dissipation is exceeded, the die temperature will rise above $150^{\circ}C$ and the MCP2021A/2A will go into thermal shutdown.

2.6 Timing Diagrams and Specifications

FIGURE 2-2: BUS TIMING DIAGRAM

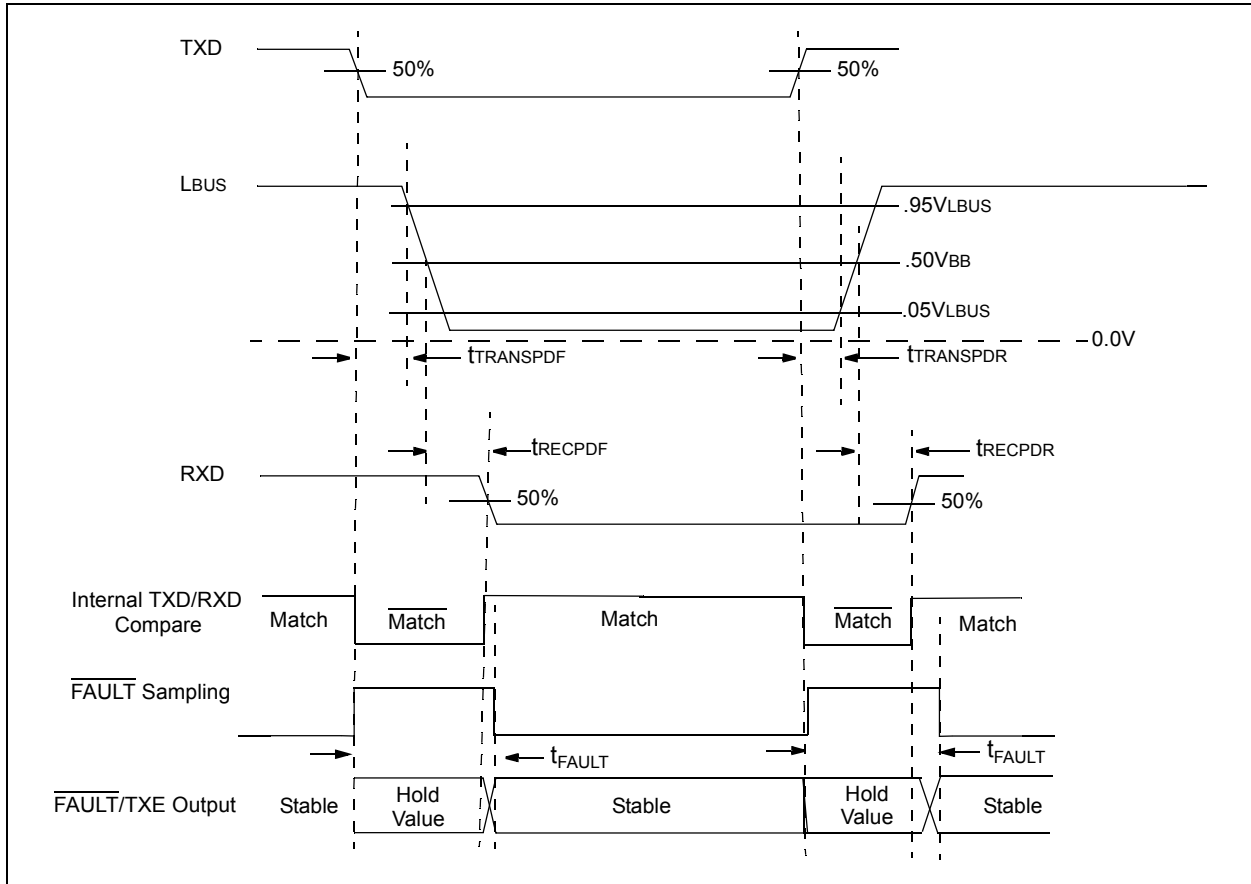
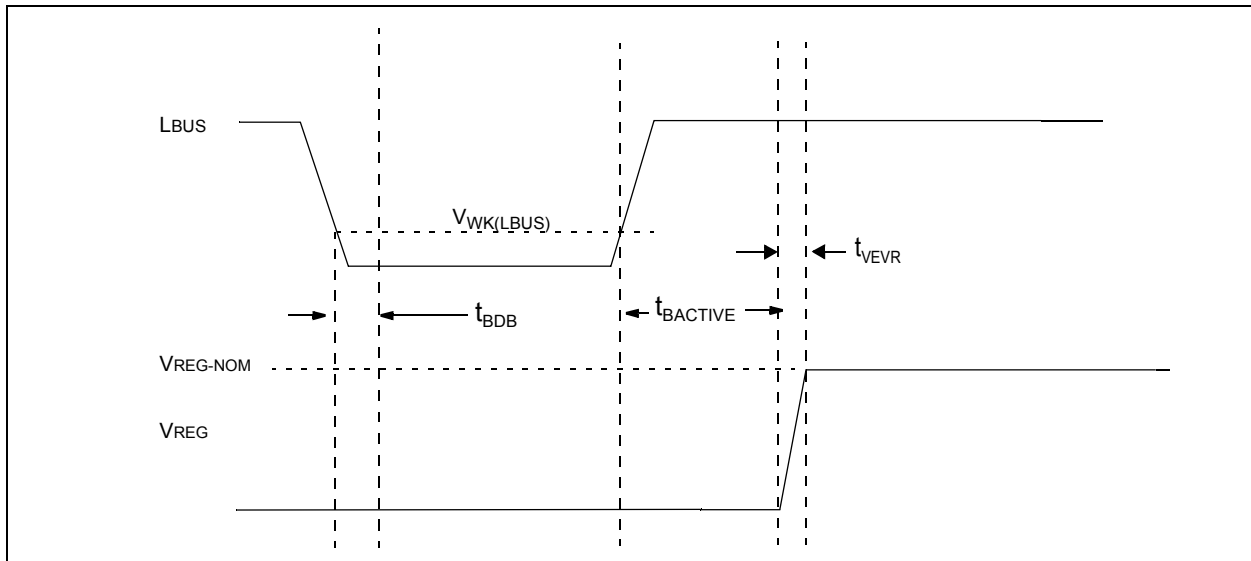


FIGURE 2-3: REGULATOR BUS WAKE TIMING DIAGRAM



MCP2021A/2A

FIGURE 2-4: CS/LWAKE, REGULATOR AND RESET TIMING DIAGRAM

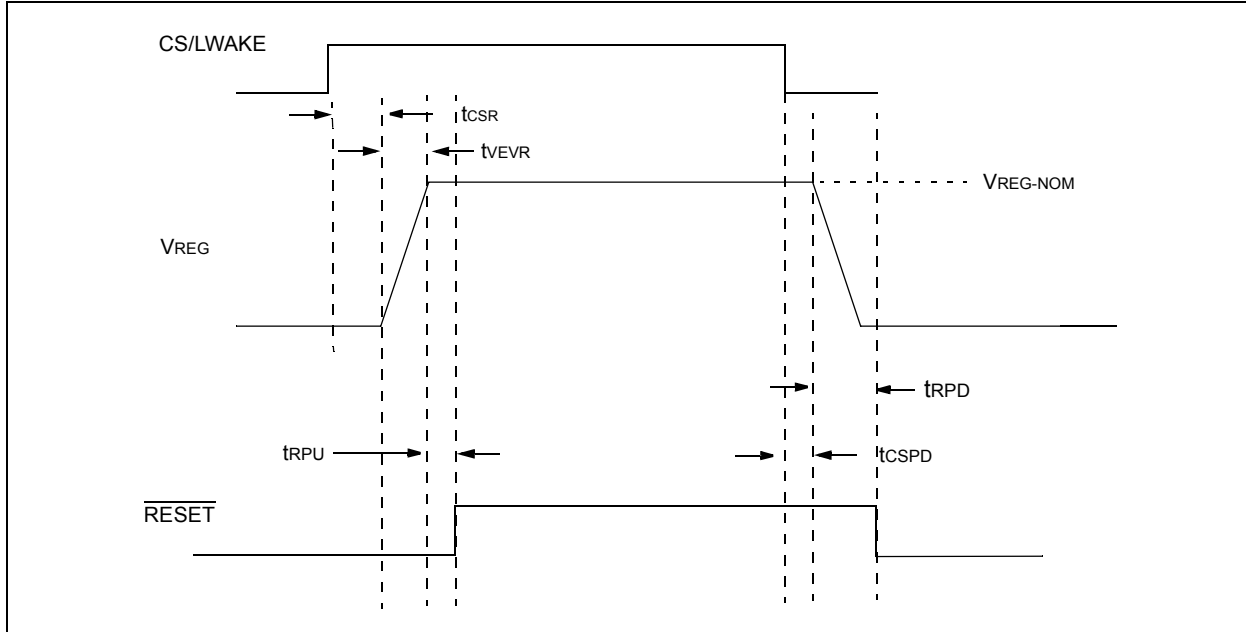


FIGURE 2-5: TYPICAL I_{BBQ} VS. TEMPERATURE - 5.0V

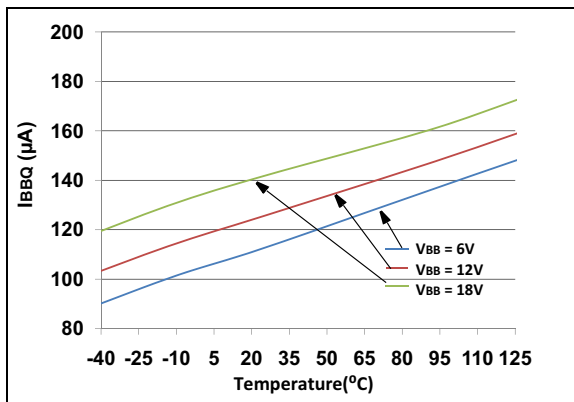


FIGURE 2-7: TYPICAL I_{PD} VS. TEMPERATURE - 5.0V

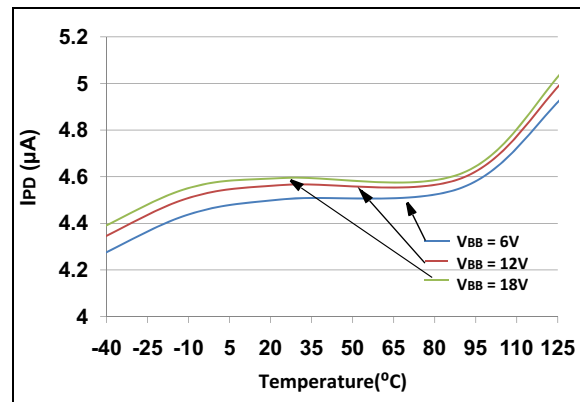


FIGURE 2-6: TYPICAL I_{BBTO} VS. TEMPERATURE - 5.0V

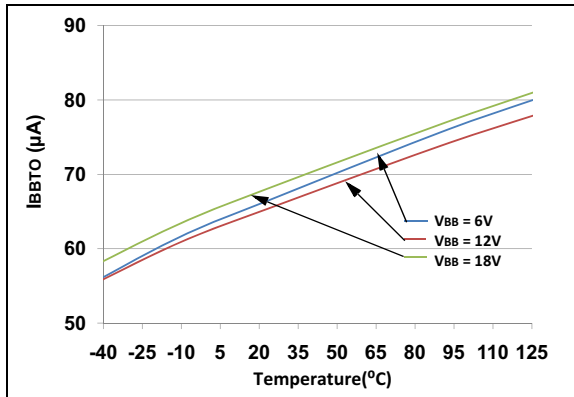


FIGURE 2-8: TYPICAL I_{BBQ} VS. TEMPERATURE - 3.3V

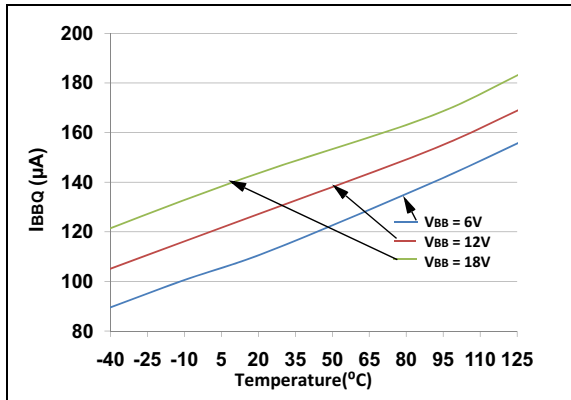


FIGURE 2-10: TYPICAL I_{PD} VS. TEMPERATURE - 3.3V

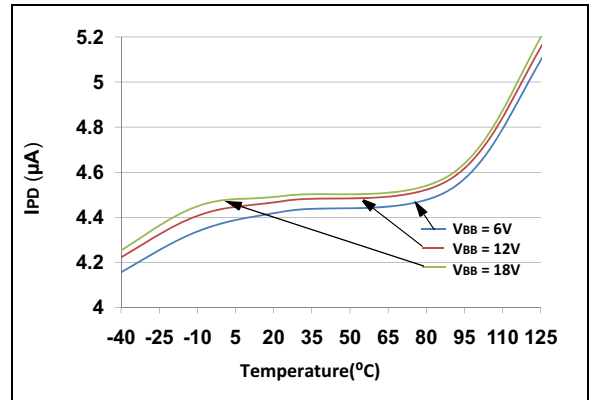
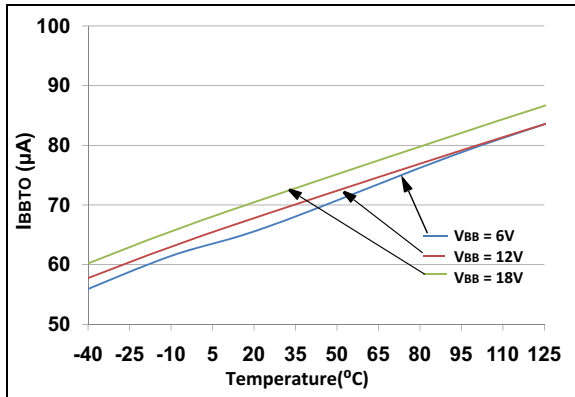


FIGURE 2-9: TYPICAL I_{BBTO} VS. TEMPERATURE - 3.3V



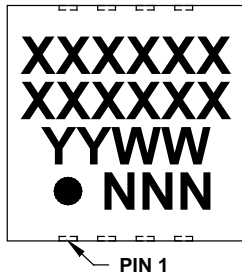
MCP2021A/2A

NOTES:

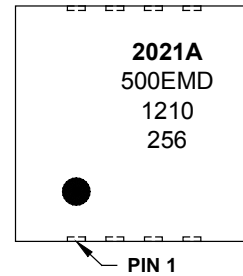
3.0 PACKAGING INFORMATION

3.1 Package Marking Information

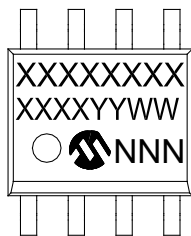
8-Lead DFN (4x4x0.9 mm) (MCP2021A)



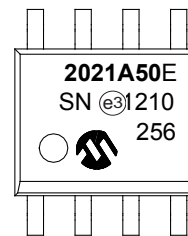
Example



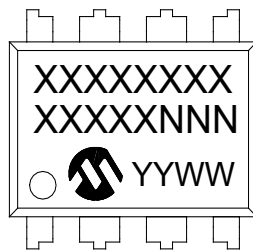
8-Lead SOIC (150 mil) (MCP2021A)



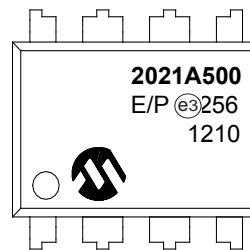
Example:



8-Lead PDIP (300 mil) (MCP2021A)



Example



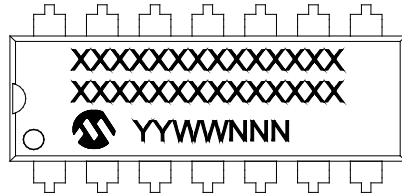
Legend:	XX...X	Customer-specific information
	Y	Year code (last digit of calendar year)
	YY	Year code (last 2 digits of calendar year)
	WW	Week code (week of January 1 is week '01')
	NNN	Alphanumeric traceability code
	(e3)	Pb-free JEDEC designator for Matte Tin (Sn)
	*	This package is Pb-free. The Pb-free JEDEC designator (e3) can be found on the outer packaging for this package.

Note: In the event the full Microchip part number cannot be marked on one line, it will be carried over to the next line, thus limiting the number of available characters for customer-specific information.

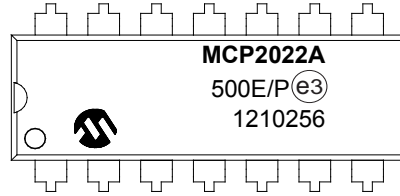
MCP2021A/2A

Package Marking Information (Continued)

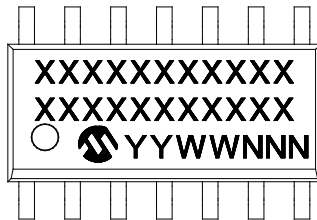
14-Lead PDIP (300 mil) (MCP2022A)



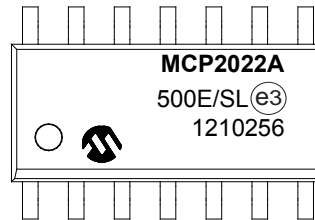
Example



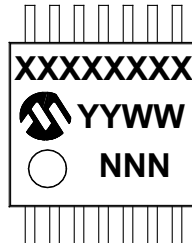
14-Lead SOIC (.150") (MC2022A)



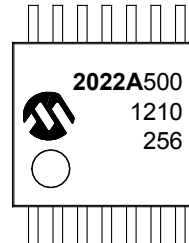
Example



14-Lead TSSOP (MCP2022A)



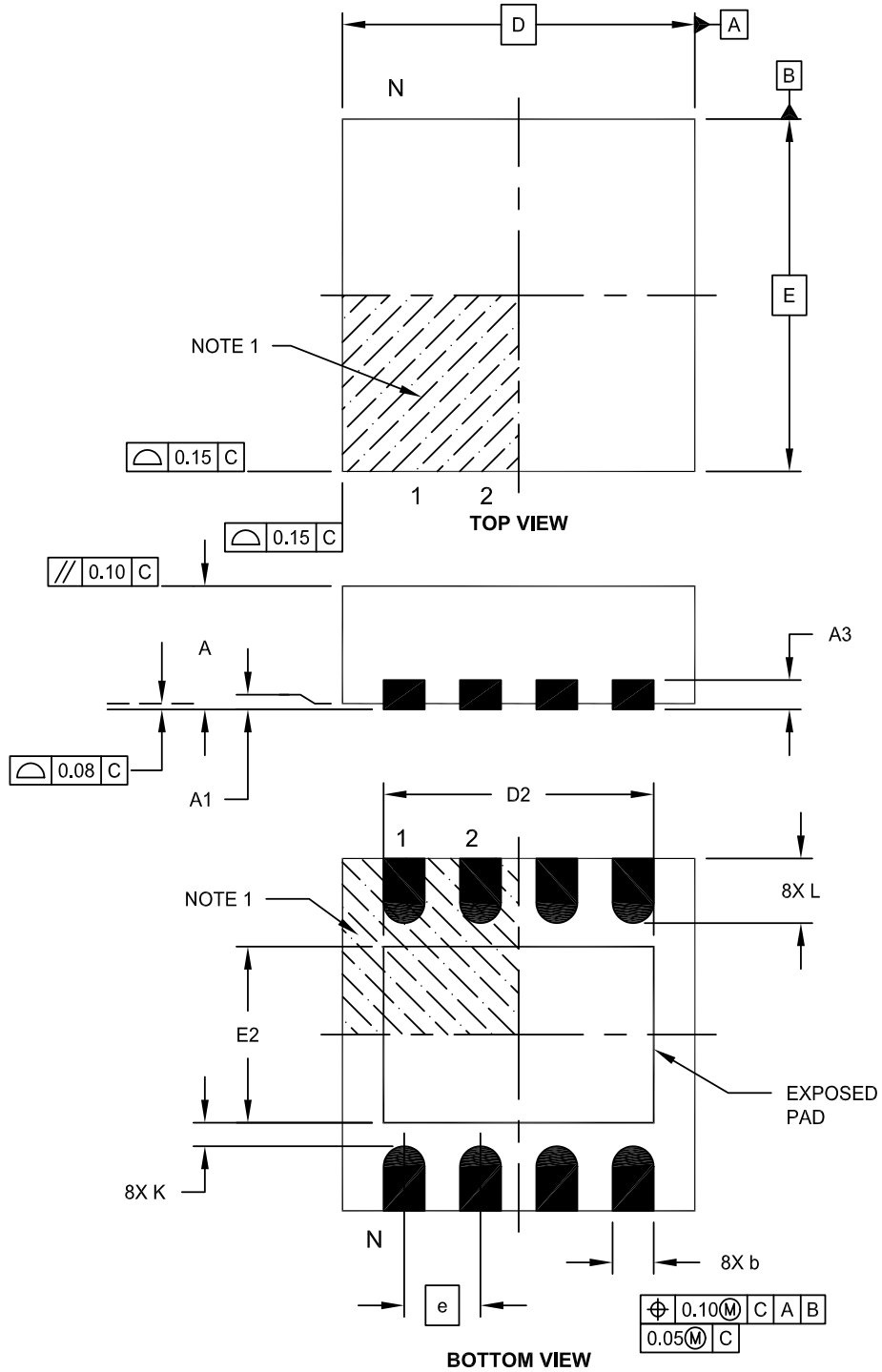
Example



Legend:	XX...X	Customer-specific information
	Y	Year code (last digit of calendar year)
	YY	Year code (last 2 digits of calendar year)
	WW	Week code (week of January 1 is week '01')
	NNN	Alphanumeric traceability code
	(e3)	Pb-free JEDEC designator for Matte Tin (Sn)
	*	This package is Pb-free. The Pb-free JEDEC designator () can be found on the outer packaging for this package.
Note:	In the event the full Microchip part number cannot be marked on one line, it will be carried over to the next line, thus limiting the number of available characters for customer-specific information.	

8-Lead Plastic Dual Flat, No Lead Package (MD) – 4x4x0.9 mm Body [DFN]

Note: For the most current package drawings, please see the Microchip Packaging Specification located at <http://www.microchip.com/packaging>

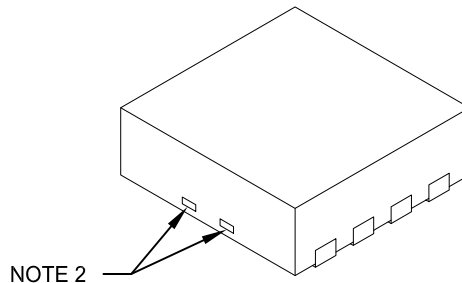


Microchip Technology Drawing C04-131E Sheet 1 of 2

MCP2021A/2A

8-Lead Plastic Dual Flat, No Lead Package (MD) – 4x4x0.9 mm Body [DFN]

Note: For the most current package drawings, please see the Microchip Packaging Specification located at <http://www.microchip.com/packaging>



Dimension Limits	Units	MILLIMETERS		
		MIN	NOM	MAX
Number of Pins	N	8		
Pitch	e	0.80 BSC		
Overall Height	A	0.80	0.90	1.00
Standoff	A1	0.00	0.02	0.05
Contact Thickness	A3	0.20 REF		
Overall Length	D	4.00 BSC		
Exposed Pad Width	E2	2.60	2.70	2.80
Overall Width	E	4.00 BSC		
Exposed Pad Length	D2	3.40	3.50	3.60
Contact Width	b	0.25	0.30	0.35
Contact Length	L	0.30	0.40	0.50
Contact-to-Exposed Pad	K	0.20	-	-

Notes:

1. Pin 1 visual index feature may vary, but must be located within the hatched area.
2. Package may have one or more exposed tie bars at ends.
3. Package is saw singulated
4. Dimensioning and tolerancing per ASME Y14.5M

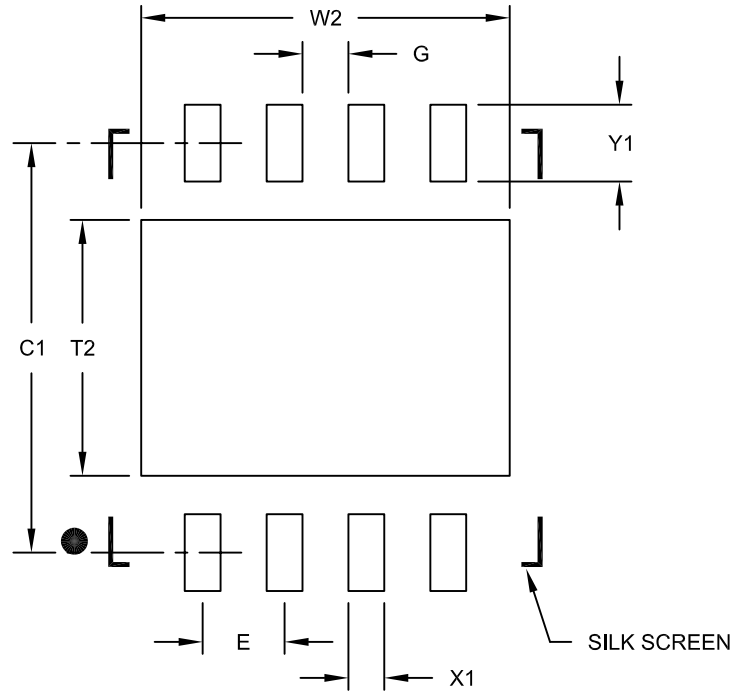
BSC: Basic Dimension, Theoretically exact value shown without tolerances.

REF: Reference Dimension, usually without tolerance, for information purposes only.

Microchip Technology Drawing C04-131E Sheet 2 of 2

8-Lead Plastic Dual Flat, No Lead Package (MD) - 4x4x0.9 mm Body [DFN]

Note: For the most current package drawings, please see the Microchip Packaging Specification located at <http://www.microchip.com/packaging>



RECOMMENDED LAND PATTERN

Dimension Limits	Units	MILLIMETERS		
		MIN	NOM	MAX
Contact Pitch	E	0.80 BSC		
Optional Center Pad Width	W2			3.60
Optional Center Pad Length	T2			2.50
Contact Pad Spacing	C1		4.00	
Contact Pad Width (X8)	X1			0.35
Contact Pad Length (X8)	Y1			0.75
Distance Between Pads	G	0.45		

Notes:

1. Dimensioning and tolerancing per ASME Y14.5M

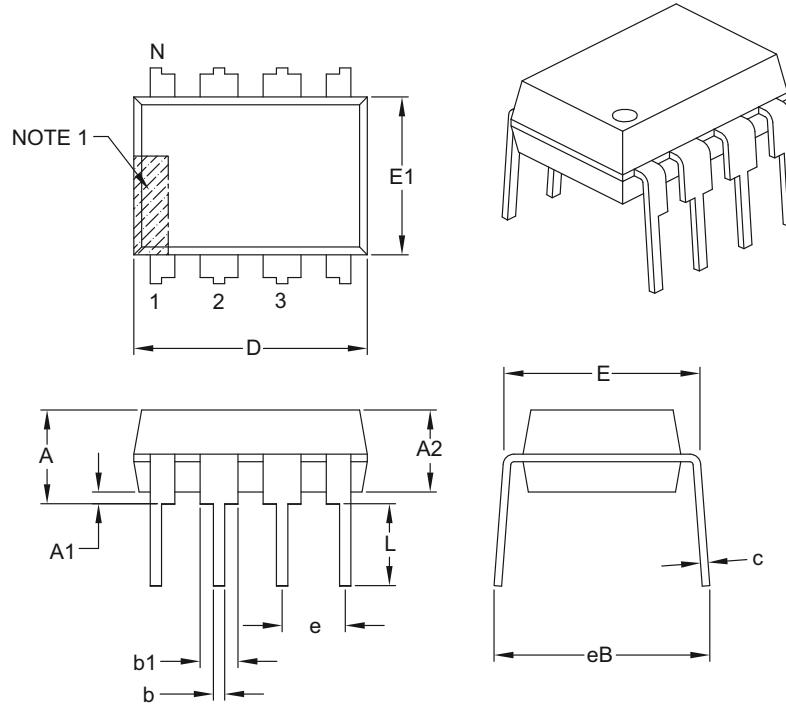
BSC: Basic Dimension. Theoretically exact value shown without tolerances.

Microchip Technology Drawing No. C04-2131C

MCP2021A/2A

8-Lead Plastic Dual In-Line (P) – 300 mil Body [PDIP]

Note: For the most current package drawings, please see the Microchip Packaging Specification located at <http://www.microchip.com/packaging>



Dimension Limits	Units	INCHES		
		MIN	NOM	MAX
Number of Pins	N	8		
Pitch	e	.100 BSC		
Top to Seating Plane	A	–	–	.210
Molded Package Thickness	A2	.115	.130	.195
Base to Seating Plane	A1	.015	–	–
Shoulder to Shoulder Width	E	.290	.310	.325
Molded Package Width	E1	.240	.250	.280
Overall Length	D	.348	.365	.400
Tip to Seating Plane	L	.115	.130	.150
Lead Thickness	c	.008	.010	.015
Upper Lead Width	b1	.040	.060	.070
Lower Lead Width	b	.014	.018	.022
Overall Row Spacing §	eB	–	–	.430

Notes:

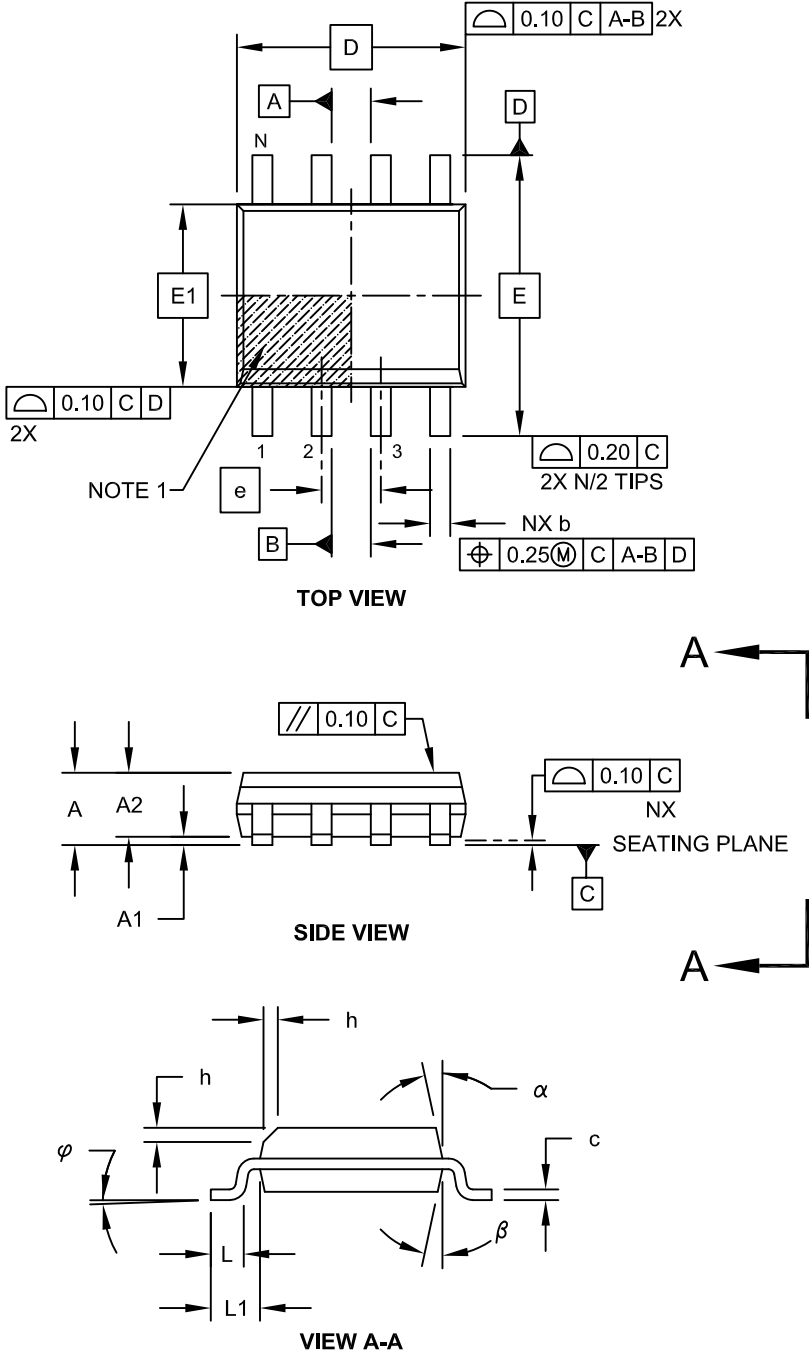
1. Pin 1 visual index feature may vary, but must be located with the hatched area.
2. § Significant Characteristic.
3. Dimensions D and E1 do not include mold flash or protrusions. Mold flash or protrusions shall not exceed .010" per side.
4. Dimensioning and tolerancing per ASME Y14.5M.

BSC: Basic Dimension. Theoretically exact value shown without tolerances.

Microchip Technology Drawing C04-018B

8-Lead Plastic Small Outline (SN) - Narrow, 3.90 mm Body [SOIC]

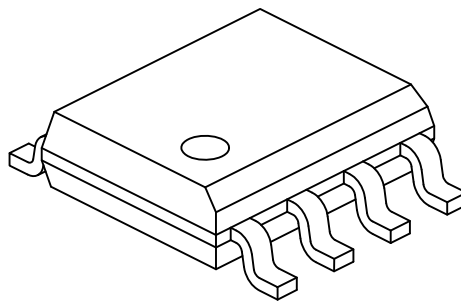
Note: For the most current package drawings, please see the Microchip Packaging Specification located at <http://www.microchip.com/packaging>



MCP2021A/2A

8-Lead Plastic Small Outline (SN) - Narrow, 3.90 mm Body [SOIC]

Note: For the most current package drawings, please see the Microchip Packaging Specification located at <http://www.microchip.com/packaging>



		Units	MILLIMETERS		
Dimension Limits			MIN	NOM	MAX
Number of Pins	N		8		
Pitch	e		1.27 BSC		
Overall Height	A	-	-	-	1.75
Molded Package Thickness	A2		1.25	-	-
Standoff §	A1		0.10	-	0.25
Overall Width	E		6.00 BSC		
Molded Package Width	E1		3.90 BSC		
Overall Length	D		4.90 BSC		
Chamfer (Optional)	h		0.25	-	0.50
Foot Length	L		0.40	-	1.27
Footprint	L1		1.04 REF		
Foot Angle	φ		0°	-	8°
Lead Thickness	c		0.17	-	0.25
Lead Width	b		0.31	-	0.51
Mold Draft Angle Top	α		5°	-	15°
Mold Draft Angle Bottom	β		5°	-	15°

Notes:

1. Pin 1 visual index feature may vary, but must be located within the hatched area.
2. § Significant Characteristic
3. Dimensions D and E1 do not include mold flash or protrusions. Mold flash or protrusions shall not exceed 0.15mm per side.
4. Dimensioning and tolerancing per ASME Y14.5M

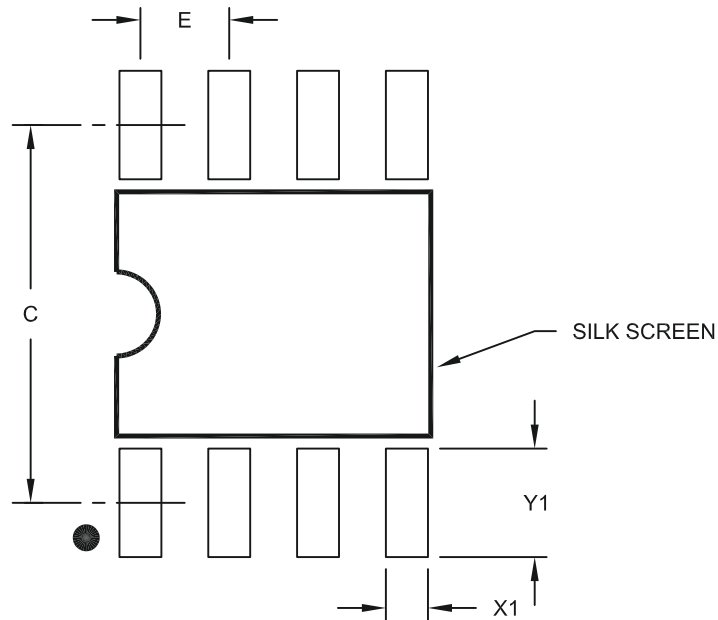
BSC: Basic Dimension. Theoretically exact value shown without tolerances.

REF: Reference Dimension, usually without tolerance, for information purposes only.

Microchip Technology Drawing No. C04-057C Sheet 2 of 2

8-Lead Plastic Small Outline (SN) – Narrow, 3.90 mm Body [SOIC]

Note: For the most current package drawings, please see the Microchip Packaging Specification located at <http://www.microchip.com/packaging>



RECOMMENDED LAND PATTERN

Dimension Limits	Units	MILLIMETERS		
		MIN	NOM	MAX
Contact Pitch	E	1.27 BSC		
Contact Pad Spacing	C		5.40	
Contact Pad Width (X8)	X1			0.60
Contact Pad Length (X8)	Y1			1.55

Notes:

1. Dimensioning and tolerancing per ASME Y14.5M

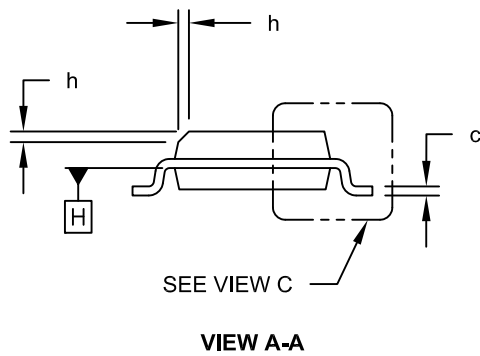
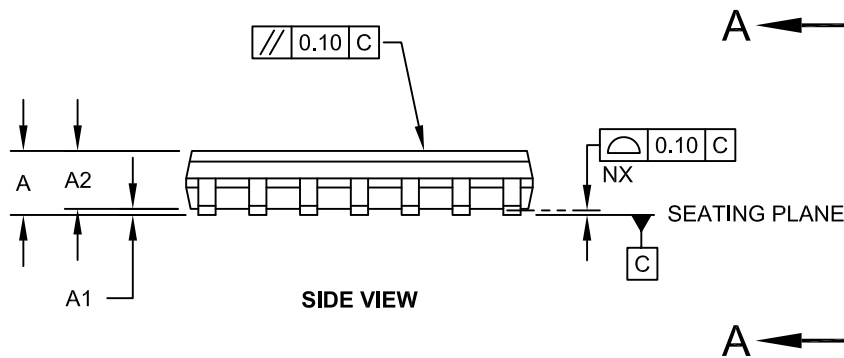
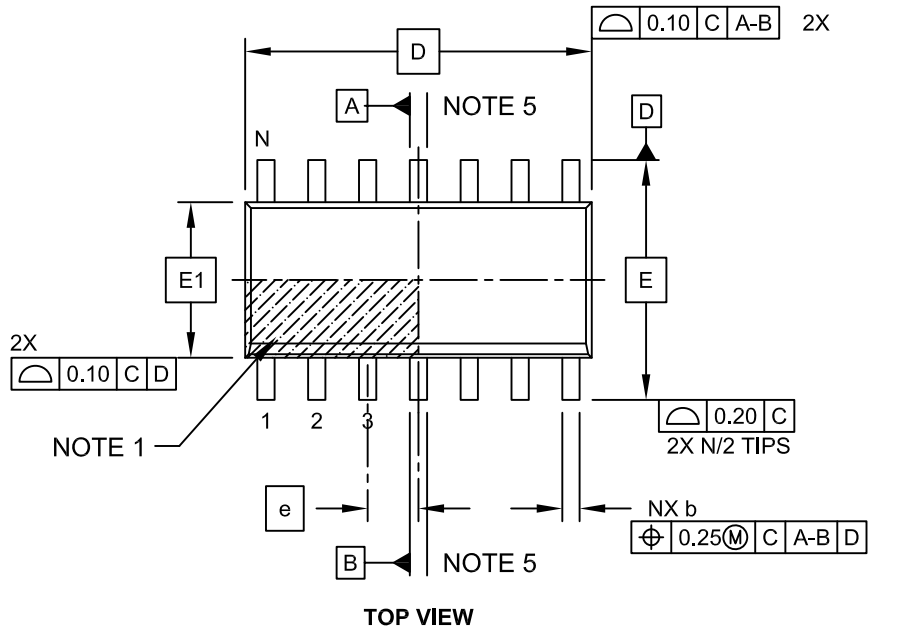
BSC: Basic Dimension. Theoretically exact value shown without tolerances.

Microchip Technology Drawing No. C04-2057A

MCP2021A/2A

14-Lead Plastic Small Outline (SL) - Narrow, 3.90 mm Body [SOIC]

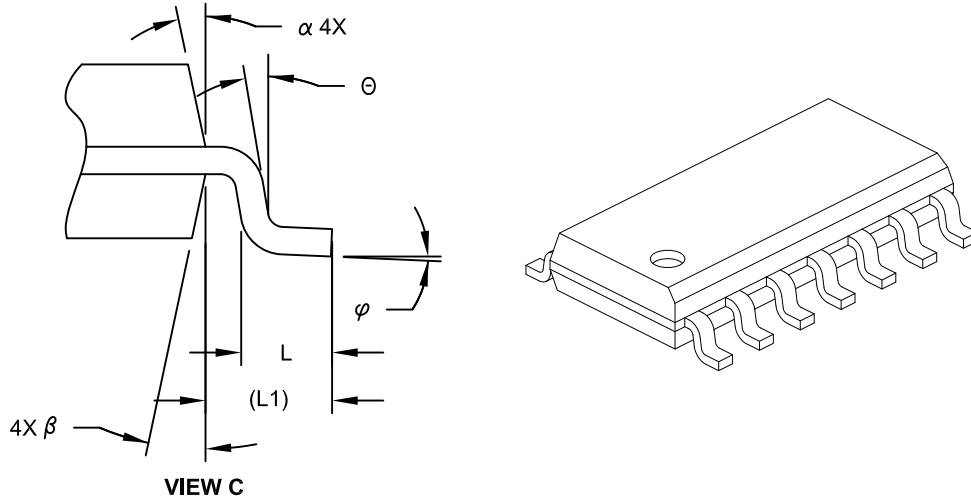
Note: For the most current package drawings, please see the Microchip Packaging Specification located at <http://www.microchip.com/packaging>



Microchip Technology Drawing No. C04-065C Sheet 1 of 2

14-Lead Plastic Small Outline (SL) - Narrow, 3.90 mm Body [SOIC]

Note: For the most current package drawings, please see the Microchip Packaging Specification located at <http://www.microchip.com/packaging>



Dimension Limits	Units	MILLIMETERS		
		MIN	NOM	MAX
Number of Pins	N	14		
Pitch	e	1.27 BSC		
Overall Height	A	-	-	1.75
Molded Package Thickness	A2	1.25	-	-
Standoff §	A1	0.10	-	0.25
Overall Width	E	6.00 BSC		
Molded Package Width	E1	3.90 BSC		
Overall Length	D	8.65 BSC		
Chamfer (Optional)	h	0.25	-	0.50
Foot Length	L	0.40	-	1.27
Footprint	L1	1.04 REF		
Lead Angle	Θ	0°	-	-
Foot Angle	φ	0°	-	8°
Lead Thickness	c	0.10	-	0.25
Lead Width	b	0.31	-	0.51
Mold Draft Angle Top	α	5°	-	15°
Mold Draft Angle Bottom	β	5°	-	15°

Notes:

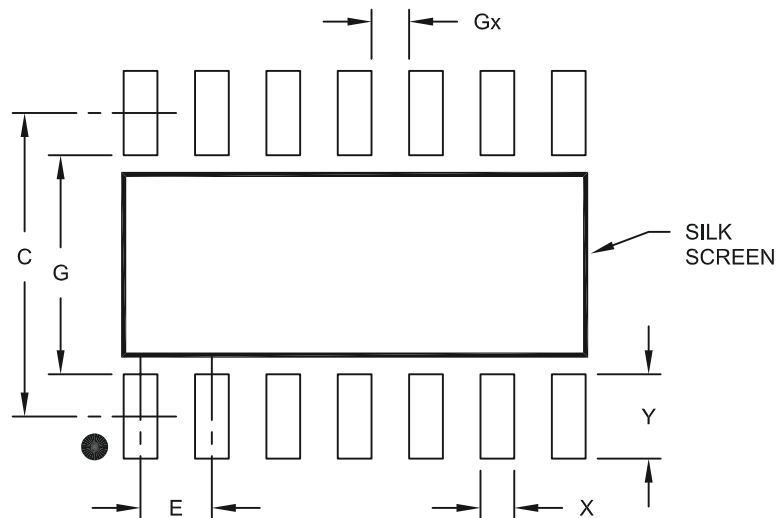
- Pin 1 visual index feature may vary, but must be located within the hatched area.
- § Significant Characteristic
- Dimension D does not include mold flash, protrusions or gate burrs, which shall not exceed 0.15 mm per end. Dimension E1 does not include interlead flash or protrusion, which shall not exceed 0.25 mm per side.
- Dimensioning and tolerancing per ASME Y14.5M
 BSC: Basic Dimension. Theoretically exact value shown without tolerances.
 REF: Reference Dimension, usually without tolerance, for information purposes only.
- Datums A & B to be determined at Datum H.

Microchip Technology Drawing No. C04-065C Sheet 2 of 2

MCP2021A/2A

14-Lead Plastic Small Outline (SL) - Narrow, 3.90 mm Body [SOIC]

Note: For the most current package drawings, please see the Microchip Packaging Specification located at <http://www.microchip.com/packaging>



RECOMMENDED LAND PATTERN

Dimension Limits	Units	MILLIMETERS		
		MIN	NOM	MAX
Contact Pitch	E	1.27 BSC		
Contact Pad Spacing	C		5.40	
Contact Pad Width	X			0.60
Contact Pad Length	Y			1.50
Distance Between Pads	Gx	0.67		
Distance Between Pads	G	3.90		

Notes:

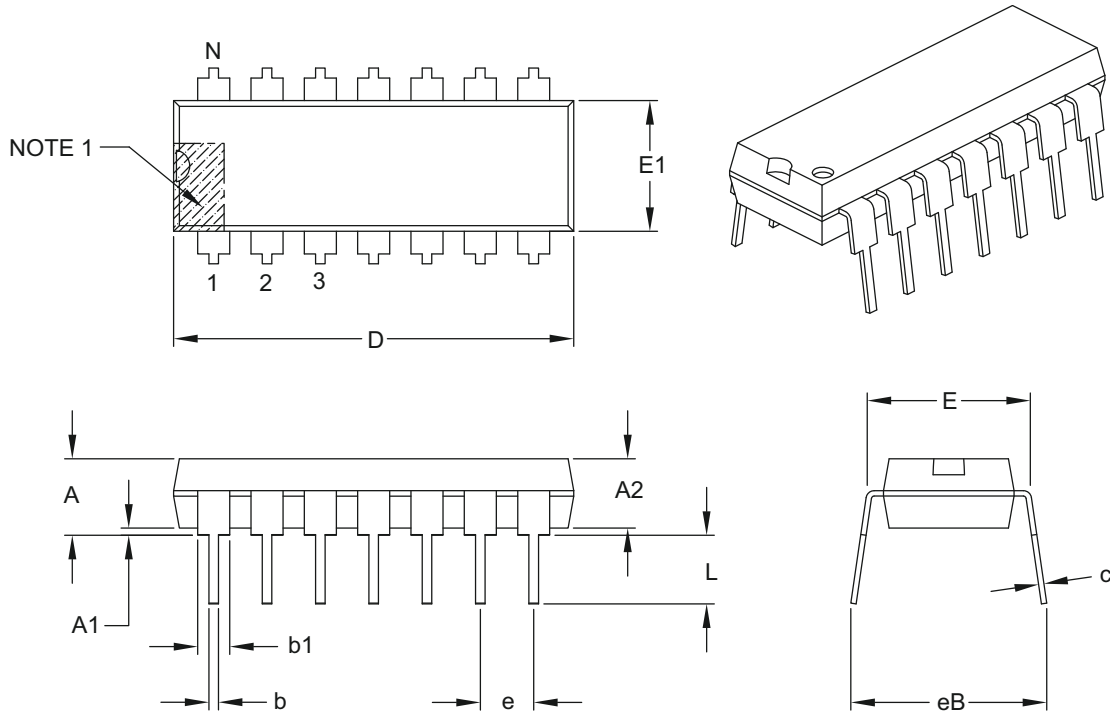
1. Dimensioning and tolerancing per ASME Y14.5M

BSC: Basic Dimension. Theoretically exact value shown without tolerances.

Microchip Technology Drawing No. C04-2065A

14-Lead Plastic Dual In-Line (P) – 300 mil Body [PDIP]

Note: For the most current package drawings, please see the Microchip Packaging Specification located at <http://www.microchip.com/packaging>



Dimension Limits	Units	INCHES		
		MIN	NOM	MAX
Number of Pins	N	14		
Pitch	e	.100 BSC		
Top to Seating Plane	A	–	–	.210
Molded Package Thickness	A2	.115	.130	.195
Base to Seating Plane	A1	.015	–	–
Shoulder to Shoulder Width	E	.290	.310	.325
Molded Package Width	E1	.240	.250	.280
Overall Length	D	.735	.750	.775
Tip to Seating Plane	L	.115	.130	.150
Lead Thickness	c	.008	.010	.015
Upper Lead Width	b1	.045	.060	.070
Lower Lead Width	b	.014	.018	.022
Overall Row Spacing §	eB	–	–	.430

Notes:

- Pin 1 visual index feature may vary, but must be located with the hatched area.
- § Significant Characteristic.
- Dimensions D and E1 do not include mold flash or protrusions. Mold flash or protrusions shall not exceed .010" per side.
- Dimensioning and tolerancing per ASME Y14.5M.

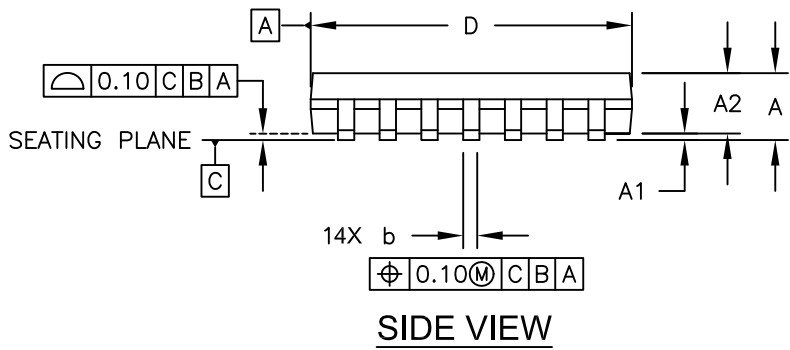
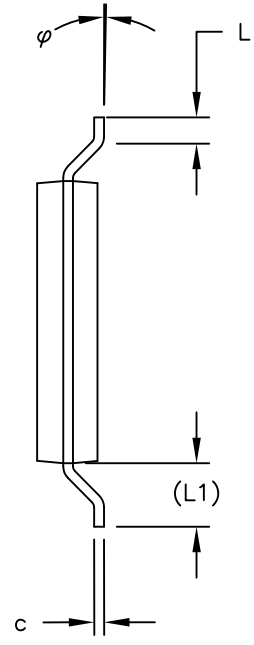
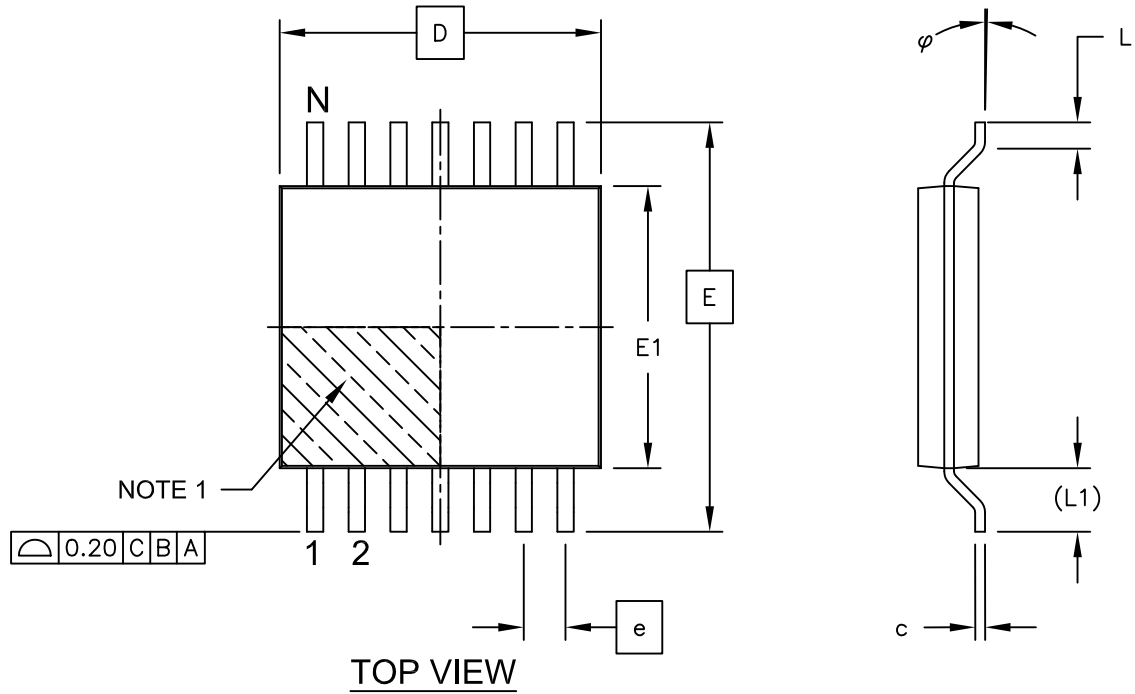
BSC: Basic Dimension. Theoretically exact value shown without tolerances.

Microchip Technology Drawing C04-005B

MCP2021A/2A

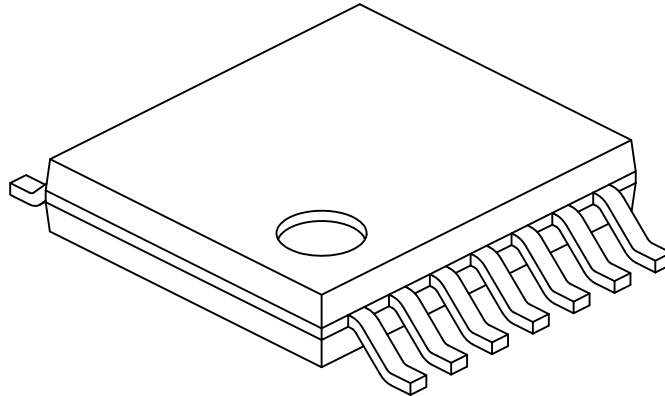
14-Lead Plastic Thin Shrink Small Outline (ST) - 4.4 mm Body [TSSOP]

Note: For the most current package drawings, please see the Microchip Packaging Specification located at <http://www.microchip.com/packaging>



14-Lead Plastic Thin Shrink Small Outline (ST) - 4.4 mm Body [TSSOP]

Note: For the most current package drawings, please see the Microchip Packaging Specification located at <http://www.microchip.com/packaging>



Dimension Limits	Units	MILLIMETERS		
		MIN	NOM	MAX
Number of Pins	N	14		
Pitch	e	0.65 BSC		
Overall Height	A	-	-	1.20
Molded Package Thickness	A2	0.80	1.00	1.05
Standoff	A1	0.05	-	0.15
Overall Width	E	6.40 BSC		
Molded Package Width	E1	4.30	4.40	4.50
Molded Package Length	D	4.90	5.00	5.10
Foot Length	L	0.45	0.60	0.75
Footprint	(L1)	1.00 REF		
Foot Angle	φ	0°	-	8°
Lead Thickness	c	0.09	-	0.20
Lead Width	b	0.19	-	0.30

Notes:

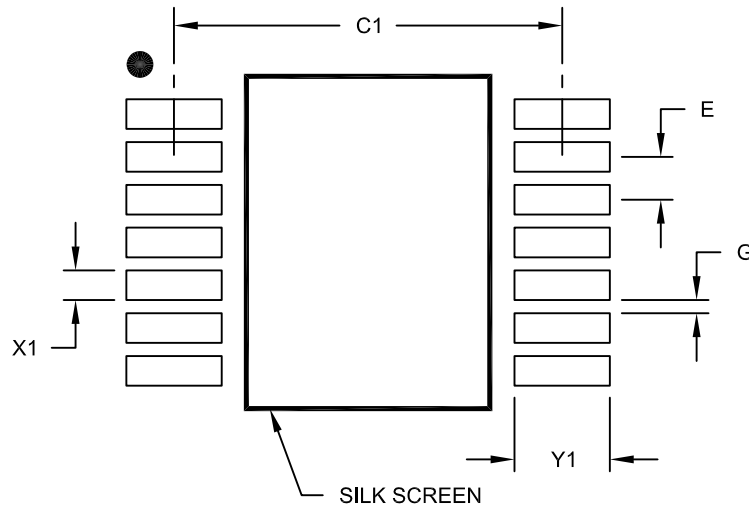
1. Pin 1 visual index feature may vary, but must be located within the hatched area.
2. Dimensions D and E1 do not include mold flash or protrusions. Mold flash or protrusions shall not exceed 0.15mm per side.
3. Dimensioning and tolerancing per ASME Y14.5M
BSC: Basic Dimension. Theoretically exact value shown without tolerances.
REF: Reference Dimension, usually without tolerance, for information purposes only.

Microchip Technology Drawing No. C04-087C Sheet 2 of 2

MCP2021A/2A

14-Lead Plastic Thin Shrink Small Outline (ST) - 4.4 mm Body [TSSOP]

Note: For the most current package drawings, please see the Microchip Packaging Specification located at <http://www.microchip.com/packaging>



RECOMMENDED LAND PATTERN

Dimension Limits	Units	MILLIMETERS		
		MIN	NOM	MAX
Contact Pitch	E	0.65 BSC		
Contact Pad Spacing	C1		5.90	
Contact Pad Width (X14)	X1			0.45
Contact Pad Length (X14)	Y1			1.45
Distance Between Pads	G	0.20		

Notes:

1. Dimensioning and tolerancing per ASME Y14.5M

BSC: Basic Dimension. Theoretically exact value shown without tolerances.

Microchip Technology Drawing No. C04-2087A

PRODUCT IDENTIFICATION SYSTEM

To order or obtain information, e.g., on pricing or delivery, refer to the factory or the listed sales office.

<u>PART NO.</u>	<u>-X</u>	<u>/XX</u>	Examples:
Device	Temperature Range	Package	
Device:	MCP2021A: LIN Transceiver with Voltage Regulator MCP2021AT: LIN Transceiver with Voltage Regulator (Tape and Reel) (SOIC only)		a) MCP2021A-330E/SL: 3.3V, 8L-SOIC package b) MCP2021A-330E/P: 3.3V, 8L-PDIP package c) MCP2021A-500E/SL: 5.0V, 8L-SOIC package d) MCP2021A-500E/P: 5.0V, 8L-PDIP package e) MCP2021AT-330E/SL: Tape and Reel, 3.3V, 8L-SOIC package f) MCP2021AT-500E/SL: Tape and Reel, 5.0V, 8L-SOIC package g) MCP2022A-330E/SL: 3.3V, 14L-SOIC package h) MCP2022A-330E/P: 3.3V, 14L-PDIP package i) MCP2022A-500E/SL: 5.0V, 14L-SOIC package j) MCP2022A-500E/P: 5.0V, 14L-PDIP package k) MCP2022AT-330E/SL: Tape and Reel, 3.3V, 14L-SOIC package l) MCP2022AT-500E/SL: Tape and Reel, 5.0V, 14L-SOIC package
Temperature Range:	E = -40°C to +125°C		
Package:	MD = Plastic Dual Flat DFN, 8-lead SN = Plastic Small Outline SOIC, 8-lead P = Plastic DIP (300 mil Body), 8-lead, 14-lead SL = Plastic SOIC, (150 mil Body), 14-lead ST = Plastic TSSOP, 14-lead		

MCP2021A/2A

NOTES:

APPENDIX A: REVISION HISTORY

Revision A (March 2012)

- Original Release of this Document.

MCP2021A/2A

NOTES:

Note the following details of the code protection feature on Microchip devices:

- Microchip products meet the specification contained in their particular Microchip Data Sheet.
- Microchip believes that its family of products is one of the most secure families of its kind on the market today, when used in the intended manner and under normal conditions.
- There are dishonest and possibly illegal methods used to breach the code protection feature. All of these methods, to our knowledge, require using the Microchip products in a manner outside the operating specifications contained in Microchip's Data Sheets. Most likely, the person doing so is engaged in theft of intellectual property.
- Microchip is willing to work with the customer who is concerned about the integrity of their code.
- Neither Microchip nor any other semiconductor manufacturer can guarantee the security of their code. Code protection does not mean that we are guaranteeing the product as “unbreakable.”

Code protection is constantly evolving. We at Microchip are committed to continuously improving the code protection features of our products. Attempts to break Microchip's code protection feature may be a violation of the Digital Millennium Copyright Act. If such acts allow unauthorized access to your software or other copyrighted work, you may have a right to sue for relief under that Act.

Information contained in this publication regarding device applications and the like is provided only for your convenience and may be superseded by updates. It is your responsibility to ensure that your application meets with your specifications. MICROCHIP MAKES NO REPRESENTATIONS OR WARRANTIES OF ANY KIND WHETHER EXPRESS OR IMPLIED, WRITTEN OR ORAL, STATUTORY OR OTHERWISE, RELATED TO THE INFORMATION, INCLUDING BUT NOT LIMITED TO ITS CONDITION, QUALITY, PERFORMANCE, MERCHANTABILITY OR FITNESS FOR PURPOSE. Microchip disclaims all liability arising from this information and its use. Use of Microchip devices in life support and/or safety applications is entirely at the buyer's risk, and the buyer agrees to defend, indemnify and hold harmless Microchip from any and all damages, claims, suits, or expenses resulting from such use. No licenses are conveyed, implicitly or otherwise, under any Microchip intellectual property rights.

Trademarks

The Microchip name and logo, the Microchip logo, dsPIC, KEELOQ, KEELOQ logo, MPLAB, PIC, PICmicro, PICSTART, PIC³² logo, rPIC and UNI/O are registered trademarks of Microchip Technology Incorporated in the U.S.A. and other countries.


FilterLab, Hampshire, HI-TECH C, Linear Active Thermistor, MXDEV, MXLAB, SEEVAL and The Embedded Control Solutions Company are registered trademarks of Microchip Technology Incorporated in the U.S.A.

Analog-for-the-Digital Age, Application Maestro, chipKIT, chipKIT logo, CodeGuard, dsPICDEM, dsPICDEM.net, dsPICworks, dsSPEAK, ECAN, ECONOMONITOR, FanSense, HI-TIDE, In-Circuit Serial Programming, ICSP, Mindi, MiWi, MPASM, MPLAB Certified logo, MPLIB, MPLINK, mTouch, Omniscient Code Generation, PICC, PICC-18, PICDEM, PICDEM.net, PICKit, PICtail, REAL ICE, rLAB, Select Mode, Total Endurance, TSHARC, UniWinDriver, WiperLock and ZENA are trademarks of Microchip Technology Incorporated in the U.S.A. and other countries.

SQTP is a service mark of Microchip Technology Incorporated in the U.S.A.

All other trademarks mentioned herein are property of their respective companies.

© 2012, Microchip Technology Incorporated, Printed in the U.S.A., All Rights Reserved.

 Printed on recycled paper.

ISBN: 978-1-62076-155-7

**QUALITY MANAGEMENT SYSTEM
CERTIFIED BY DNV
= ISO/TS 16949 =**

Microchip received ISO/TS-16949:2009 certification for its worldwide headquarters, design and wafer fabrication facilities in Chandler and Tempe, Arizona; Gresham, Oregon and design centers in California and India. The Company's quality system processes and procedures are for its PIC[®] MCUs and dsPIC[®] DSCs, KEELOQ[®] code hopping devices, Serial EEPROMs, microperipherals, nonvolatile memory and analog products. In addition, Microchip's quality system for the design and manufacture of development systems is ISO 9001:2000 certified.



MICROCHIP

Worldwide Sales and Service

AMERICAS

Corporate Office
2355 West Chandler Blvd.
Chandler, AZ 85224-6199
Tel: 480-792-7200
Fax: 480-792-7277
Technical Support:
<http://www.microchip.com/support>
Web Address:
www.microchip.com

Atlanta
Duluth, GA
Tel: 678-957-9614
Fax: 678-957-1455

Boston
Westborough, MA
Tel: 774-760-0087
Fax: 774-760-0088

Chicago
Itasca, IL
Tel: 630-285-0071
Fax: 630-285-0075

Cleveland
Independence, OH
Tel: 216-447-0464
Fax: 216-447-0643

Dallas
Addison, TX
Tel: 972-818-7423
Fax: 972-818-2924

Detroit
Farmington Hills, MI
Tel: 248-538-2250
Fax: 248-538-2260

Indianapolis
Noblesville, IN
Tel: 317-773-8323
Fax: 317-773-5453

Los Angeles
Mission Viejo, CA
Tel: 949-462-9523
Fax: 949-462-9608

Santa Clara
Santa Clara, CA
Tel: 408-961-6444
Fax: 408-961-6445

Toronto
Mississauga, Ontario,
Canada
Tel: 905-673-0699
Fax: 905-673-6509

ASIA/PACIFIC

Asia Pacific Office
Suites 3707-14, 37th Floor
Tower 6, The Gateway
Harbour City, Kowloon
Hong Kong
Tel: 852-2401-1200
Fax: 852-2401-3431

Australia - Sydney
Tel: 61-2-9868-6733
Fax: 61-2-9868-6755

China - Beijing
Tel: 86-10-8569-7000
Fax: 86-10-8528-2104

China - Chengdu
Tel: 86-28-8665-5511
Fax: 86-28-8665-7889

China - Chongqing
Tel: 86-23-8980-9588
Fax: 86-23-8980-9500

China - Hangzhou
Tel: 86-571-2819-3187
Fax: 86-571-2819-3189

China - Hong Kong SAR
Tel: 852-2401-1200
Fax: 852-2401-3431

China - Nanjing
Tel: 86-25-8473-2460
Fax: 86-25-8473-2470

China - Qingdao
Tel: 86-532-8502-7355
Fax: 86-532-8502-7205

China - Shanghai
Tel: 86-21-5407-5533
Fax: 86-21-5407-5066

China - Shenyang
Tel: 86-24-2334-2829
Fax: 86-24-2334-2393

China - Shenzhen
Tel: 86-755-8203-2660
Fax: 86-755-8203-1760

China - Wuhan
Tel: 86-27-5980-5300
Fax: 86-27-5980-5118

China - Xian
Tel: 86-29-8833-7252
Fax: 86-29-8833-7256

China - Xiamen
Tel: 86-592-2388138
Fax: 86-592-2388130

China - Zhuhai
Tel: 86-756-3210040
Fax: 86-756-3210049

ASIA/PACIFIC

India - Bangalore
Tel: 91-80-3090-4444
Fax: 91-80-3090-4123

India - New Delhi
Tel: 91-11-4160-8631
Fax: 91-11-4160-8632

India - Pune
Tel: 91-20-2566-1512
Fax: 91-20-2566-1513

Japan - Osaka
Tel: 81-66-152-7160
Fax: 81-66-152-9310

Japan - Yokohama
Tel: 81-45-471-6166
Fax: 81-45-471-6122

Korea - Daegu
Tel: 82-53-744-4301
Fax: 82-53-744-4302

Korea - Seoul
Tel: 82-2-554-7200
Fax: 82-2-558-5932 or
82-2-558-5934

Malaysia - Kuala Lumpur
Tel: 60-3-6201-9857
Fax: 60-3-6201-9859

Malaysia - Penang
Tel: 60-4-227-8870
Fax: 60-4-227-4068

Philippines - Manila
Tel: 63-2-634-9065
Fax: 63-2-634-9069

Singapore
Tel: 65-6334-8870
Fax: 65-6334-8850

Taiwan - Hsin Chu
Tel: 886-3-5778-366
Fax: 886-3-5770-955

Taiwan - Kaohsiung
Tel: 886-7-536-4818
Fax: 886-7-330-9305

Taiwan - Taipei
Tel: 886-2-2500-6610
Fax: 886-2-2508-0102

Thailand - Bangkok
Tel: 66-2-694-1351
Fax: 66-2-694-1350

EUROPE

Austria - Wels
Tel: 43-7242-2244-39
Fax: 43-7242-2244-393

Denmark - Copenhagen
Tel: 45-4450-2828
Fax: 45-4485-2829

France - Paris
Tel: 33-1-69-53-63-20
Fax: 33-1-69-30-90-79

Germany - Munich
Tel: 49-89-627-144-0
Fax: 49-89-627-144-44

Italy - Milan
Tel: 39-0331-742611
Fax: 39-0331-466781

Netherlands - Drunen
Tel: 31-416-690399
Fax: 31-416-690340

Spain - Madrid
Tel: 34-91-708-08-90
Fax: 34-91-708-08-91

UK - Wokingham
Tel: 44-118-921-5869
Fax: 44-118-921-5820

11/29/11