

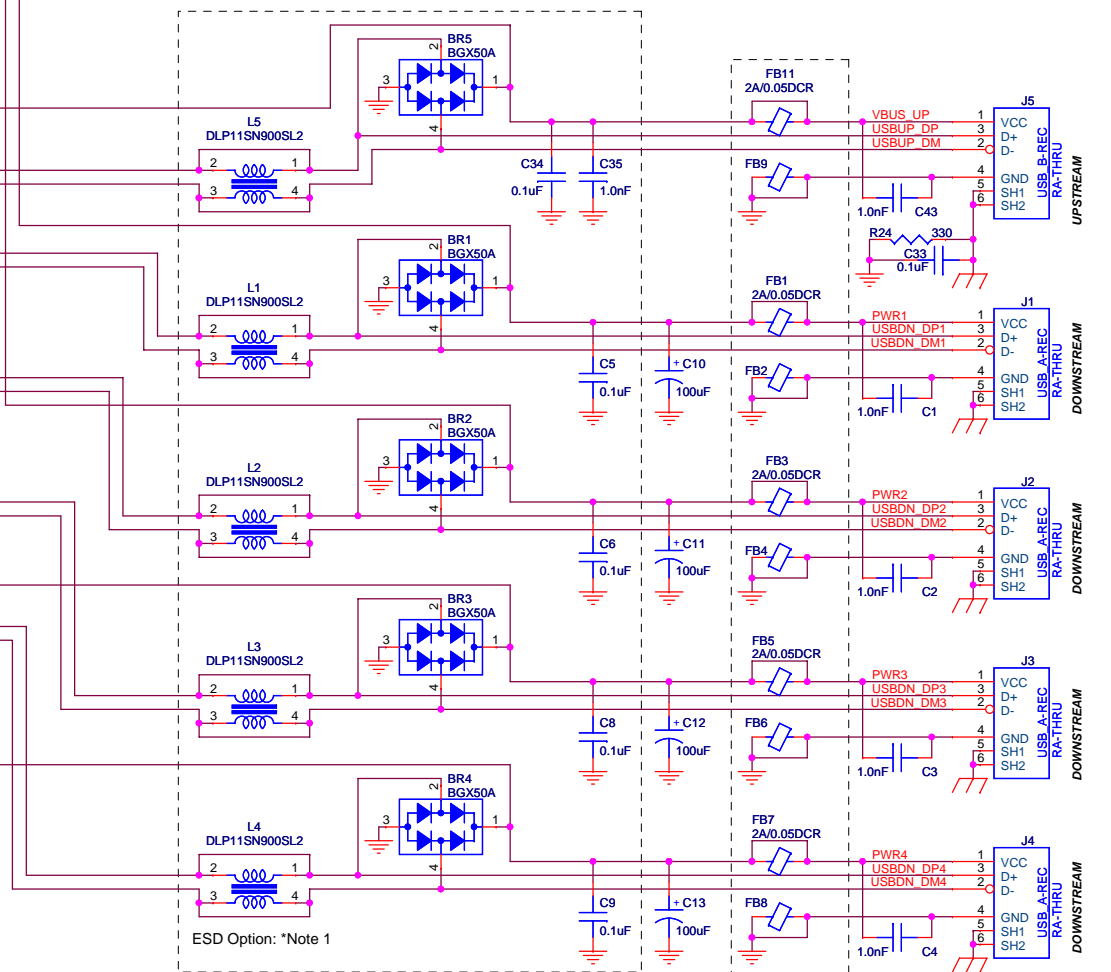
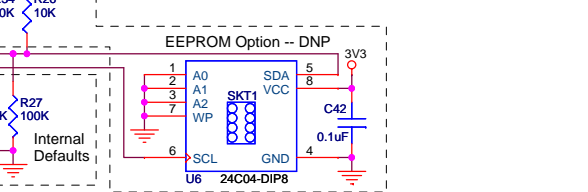
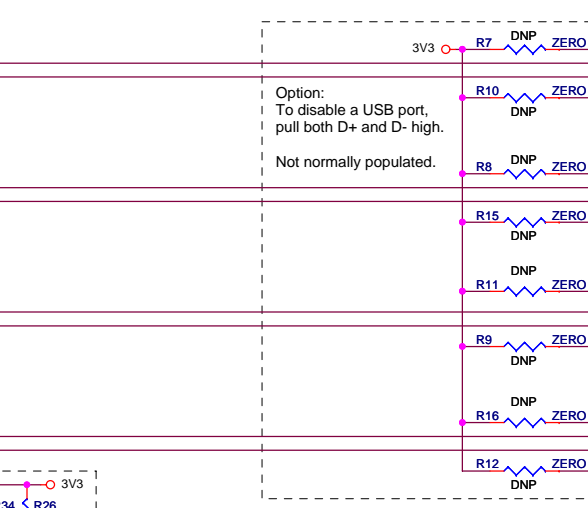
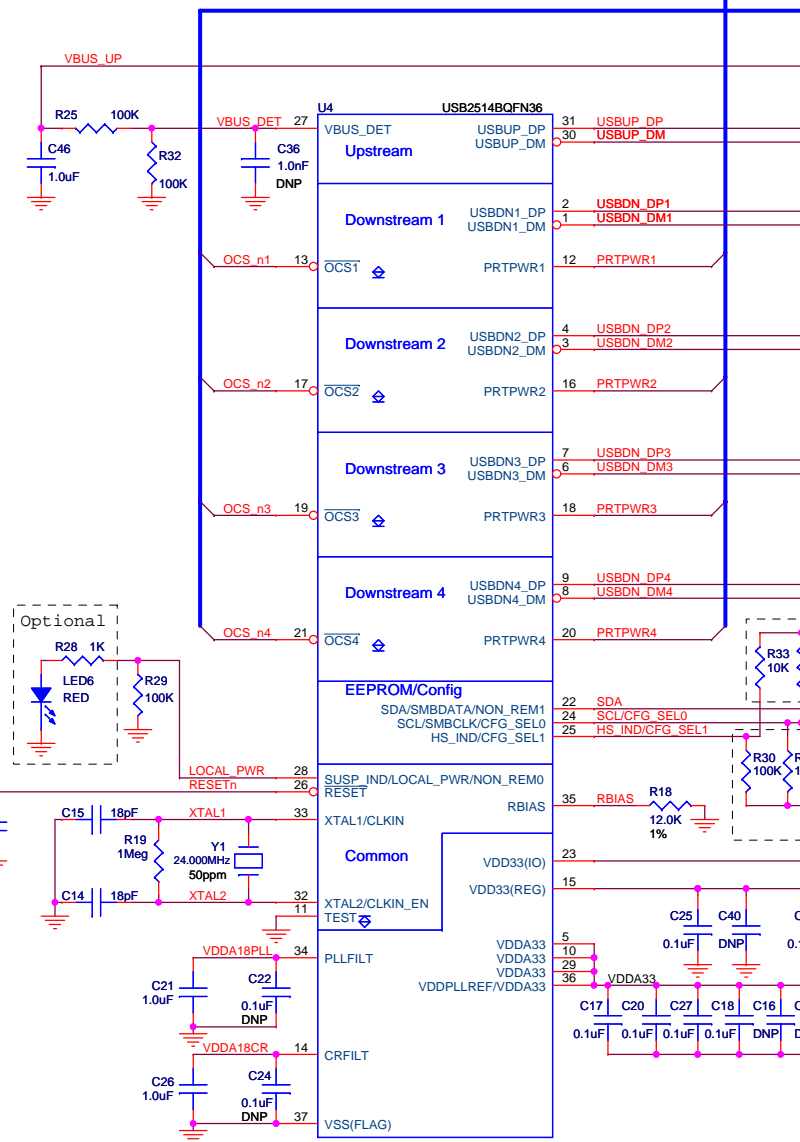
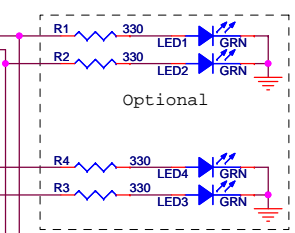
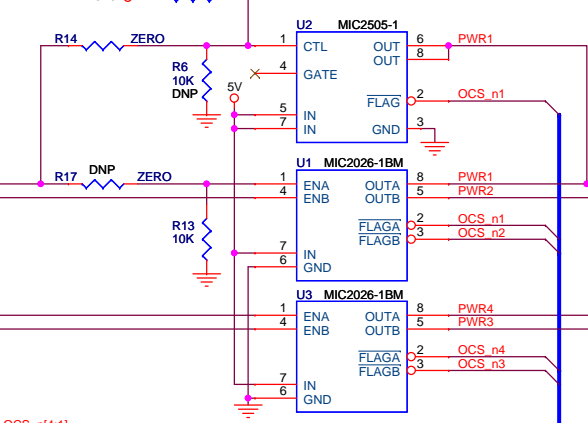
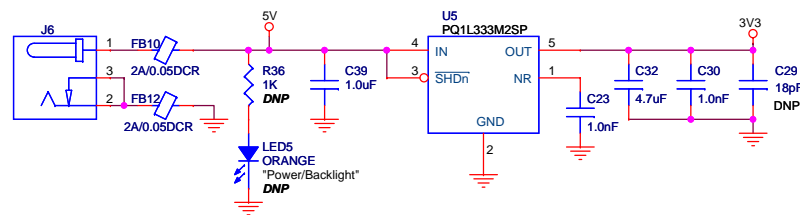
# EVB-USB2514BC

Customer Evaluation Design for USB2514B,  
QFN36 package

Self-powered, 4-port USB 2.0 HUB, low-cost,  
Basic feature set PLUS Support for Battery Charging

## Revision History

Revision	Date	Revision Summary	Author
01A	20090305	Initial schematic - from EVB-USB2514QFN36_B	C. Johnson
02A	20090309	Reduced # of cap footprints per VDD18 pin to 2, shorted around optional EMI and ESD devices, changed port disable resistors to 0ohm, grouped and indicated EMI and ESD optional devices, added BC test options for all ports.	C. Johnson
A	20090310	Renumbered & released.	C. Johnson
A01	20091012	Re-drew with updated symbols.	C. Johnson



\*Note 1:  
To use these devices, cut the traces that short them, as needed.  
Not normally populated.

EMI Option:  
\*Note 1

