



### Features:

- No UV or IR light radiation.
- Provide 120° beam angles.
- Easy Installation
- Very Low Power Consumption:  
Less than 14.4Watts/m
- Long lifetime: 25000 hours (L<sub>70</sub>).
- High CRI: 70-85
- Correlated Color Temperature: RGB color
- Operating temperature: -20°C ∞ +60°C
- 12V DC input.
- 60 leds per meter, each 3 leds as one series, each series can be cutted ,5 meter per roll.
- Led type:5050 LED
- Waterproof grade IP68

### Benefits:

- Energy Cost Savings:  
Over 60% Compared to Incandescent.
- Solid-State:  
High-Shock & High-Vibration Resistant,  
Both Electrical and Mechanical
- Eco-Friendly:  
No Mercury, No Lead Content
- No Hazardous Emissions:  
No UV or IR Radiation
- Constant Light Output:  
Even Lighting, Non-Halation

### Application:

- Entertainment Lighting
- Architectural lighting
- City Beautification
- Landscape lighting.
- Furniture decoration
- Bar lighting
- Other lighting

## Product Specifications:

Input Voltage	12V DC
Wattage	14.4W/m
Operating Frequency	50-60Hz
Operating Temperature	-20°C ∞ +60°C
Storage Temperature	-30°C ∞ +70°C
Net Weight per piece (g)	----
Certification	RoHS Compliant

## Product Selection Guide:

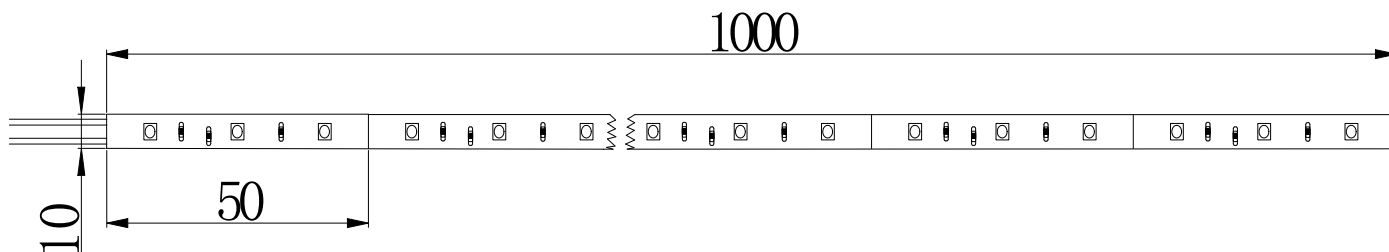
Product	Beam Angle	Total Lumens	CCT/Wavelength	Color	CRI
LS-5050F60RN-1	120°	600±5%	<b>Red 624nm</b>	Full:RGB	≥ 70
			<b>Green 525nm</b>		
			<b>Blue 470nm</b>		

## LS-5050/F/60/RN/1

①                      ②                      ③                      ④                      ⑤                      ⑥

- ① LS: Light Strip
- ② 5050: LED Type
- ③ F: Full(RGB)
- ④ 60: 60 pcs of LED
- ⑤ RN: DC 12V
- ⑥ 1: Waterproof grade IP68

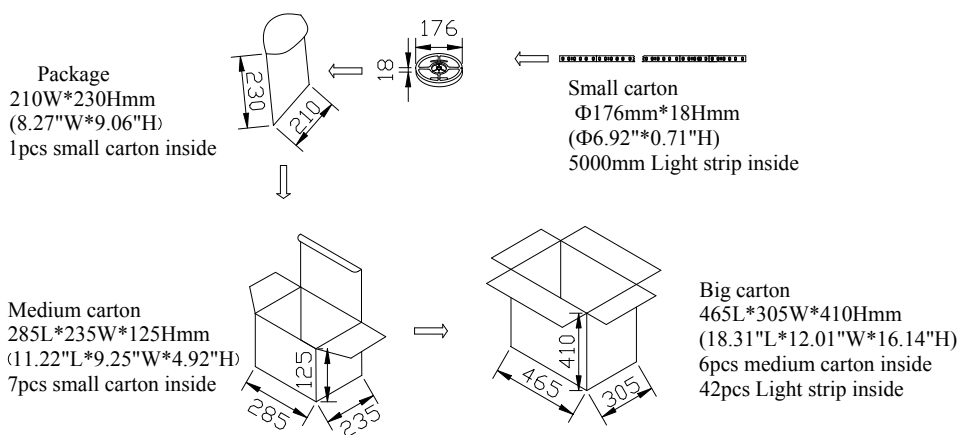
**Product Dimensions:**



**Notes:**

1. All dimensions unit in mm
2. Tolerances are  $\pm 0.5\text{mm}$  unless otherwise noted.

**Package Dimension**



**Installation Instructions and Warnings:**

- Turn off power before inspection, installation, or removal.
- Not for use where exposed to the weather
- Do not use in totally enclosed fixtures.
- Please make sure to use a suitable adapter. Please mind the minimum load of your adapter.