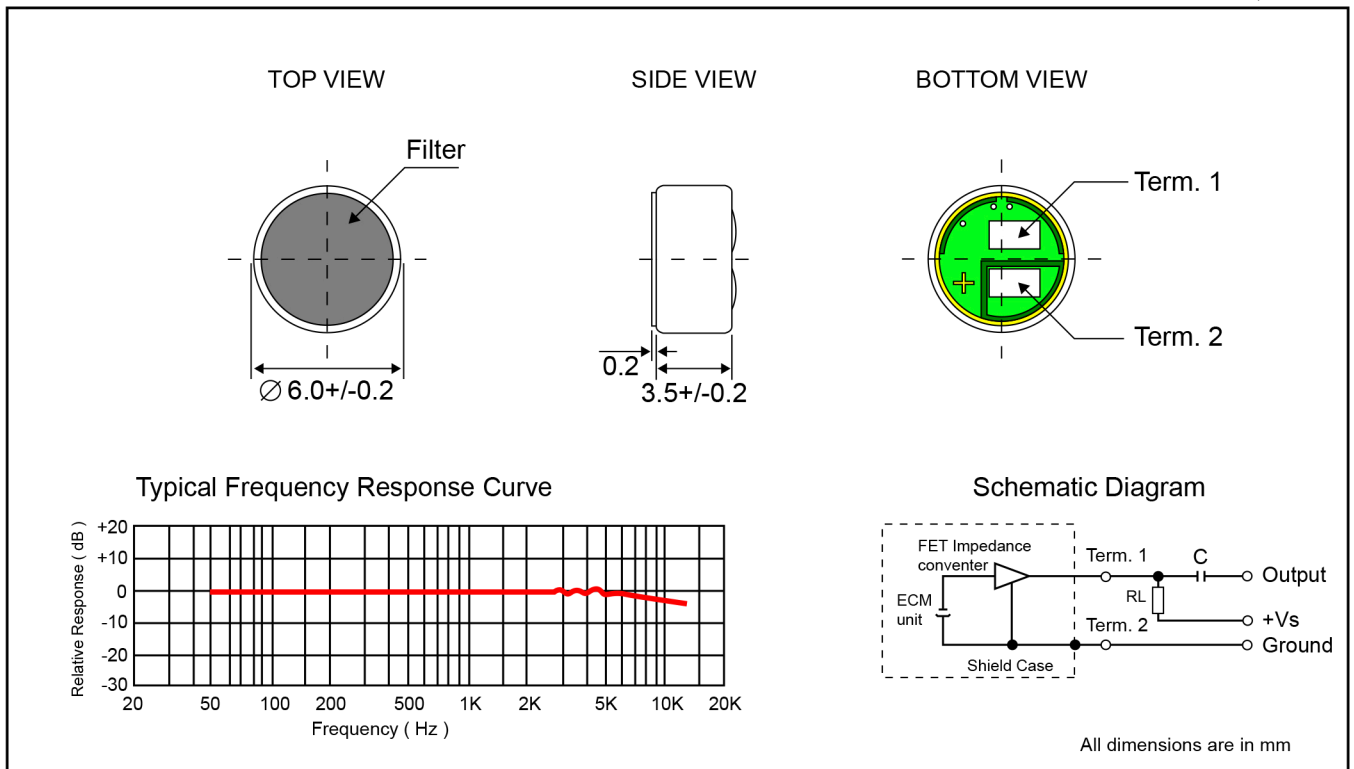


# Electret Condenser Microphone



## DIMENSIONS

Date : 27 Jan.,2014



Ref. no. : AD126-R



Sensitivity : - 35 +/- 4 dB

Vs : 2.0V

RL : 2.2K $\Omega$

## ELECTRICAL SPECIFICATIONS

Model No.	LD-MC-6035P
Sensitivity [ 0dB = 1V/pa, 1KHz ]	See above
Impedance	Low Impedance
Directivity	Omnidirectional
Frequency	50 ~ 13KHz
Voltage range	1 ~ 10V
Standard operation voltage	2.0V
Current consumption	Max. 0.5mA
Sensitivity reduction	Within -3dB at 1.5V
S/N ratio	More than 60dB