

loudity

SMT52

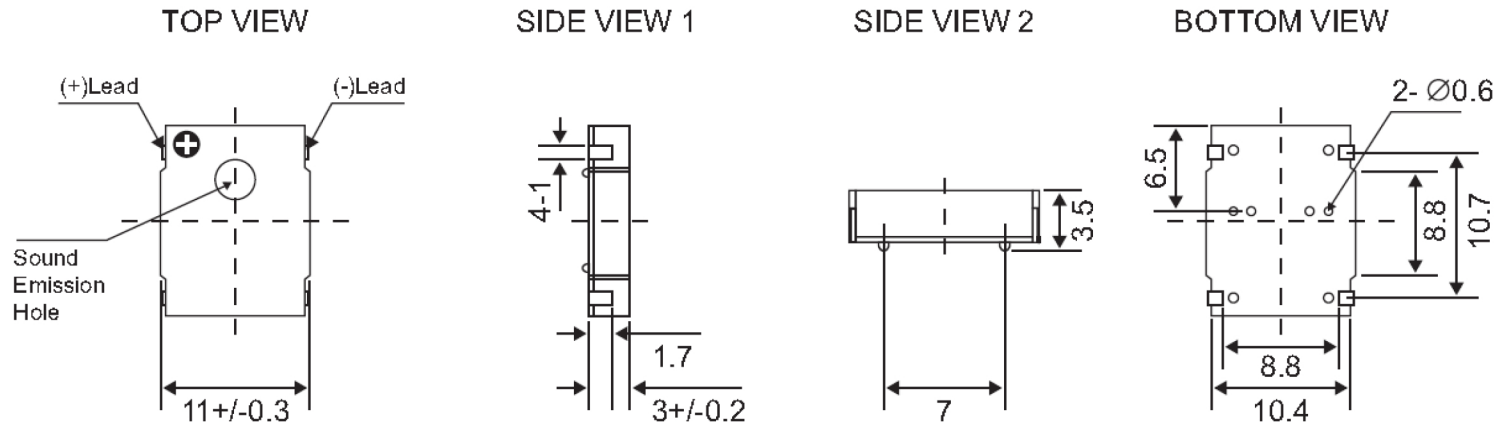


MATERIALS

Color - Black
Plastic Material - LCP
Terminal - SMD Type

Weight

approx. 1 gm.



All dimensions are in mm
Unspecified Tolerance are ± 0.5 mm

Model	Unit	LD-BZEL-T52-1411
Operating Voltage	Vo-p	3 ~ 7
Rated Voltage	Vo-p	5
* Max. Rated Current	mA.	80
Coil Resistance	ohm	40 +/- 3
* Min. Sound Output at 10cm	dBa	85
Resonant Frequency	Hz	2730
Operating Temperature	°C	-30 ~ +75