

loudity

SMT42

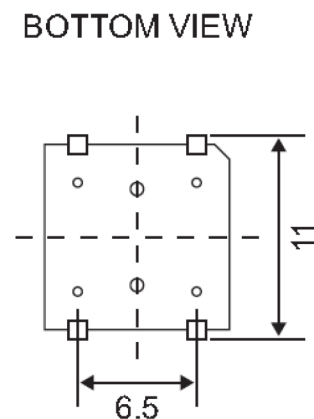
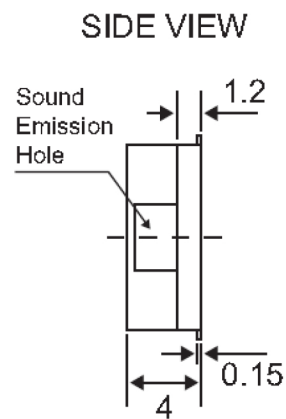
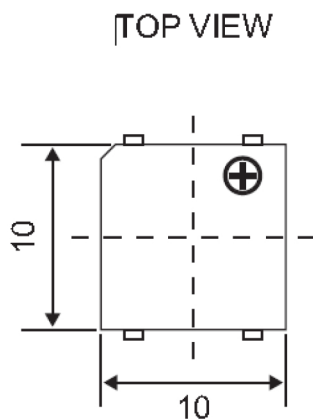


MATERIALS

Color - Black
Plastic Material - LCP
Terminal - SMD Type

Weight

approx. 1 gm.



All dimensions are in mm
Unspecified Tolerance are +/-0.5mm

Model	Unit	LD-BZEL-T42-1004
Operating Voltage	Vo-p	2.5 ~ 4.5
Rated Voltage	Vo-p	3.6
* Max. Rated Current	mA.	100
Coil Resistance	ohm	18 +/- 3
* Min. Sound Output at 10cm	dBA	90
Resonant Frequency	Hz	2700
Operating Temperature	°C	-30 ~ +70