



MSM1515

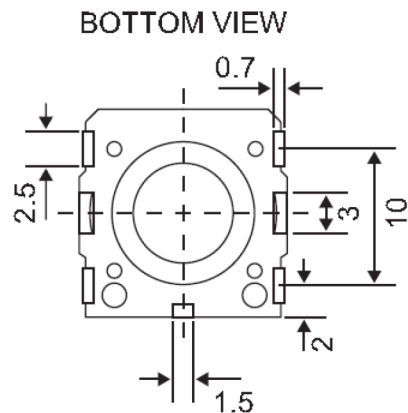
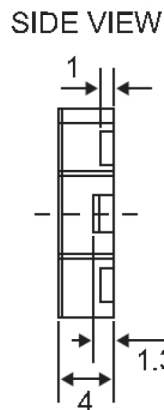
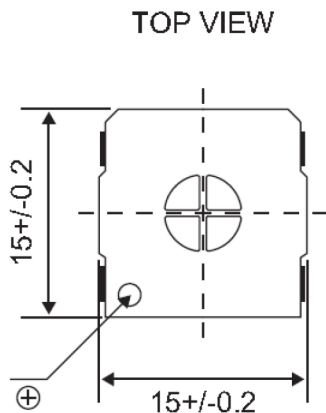


MATERIALS

Color - Black
House Material - Plastic
Terminal - SMD Type
Shape - Square

Weight

approx. 1.5 gm.



All dimensions are in mm
Unspecified Tolerance are +/-0.5mm

Model	Unit	LD-BZEL-M1515
Sound Pressure Level	dB	92 +/- 2dB
Impedance	ohm	8 ohm +/- 15%
Resonant Frequency [Fo]	Hz	800 Hz +/- 15%
Frequency Response	Hz	Fo ~ 20K Hz
Rated Input Power	W	0.5 W
Max. Input Power	W	0.8 W
Operating Temperature	°C	-30 ~ +85