

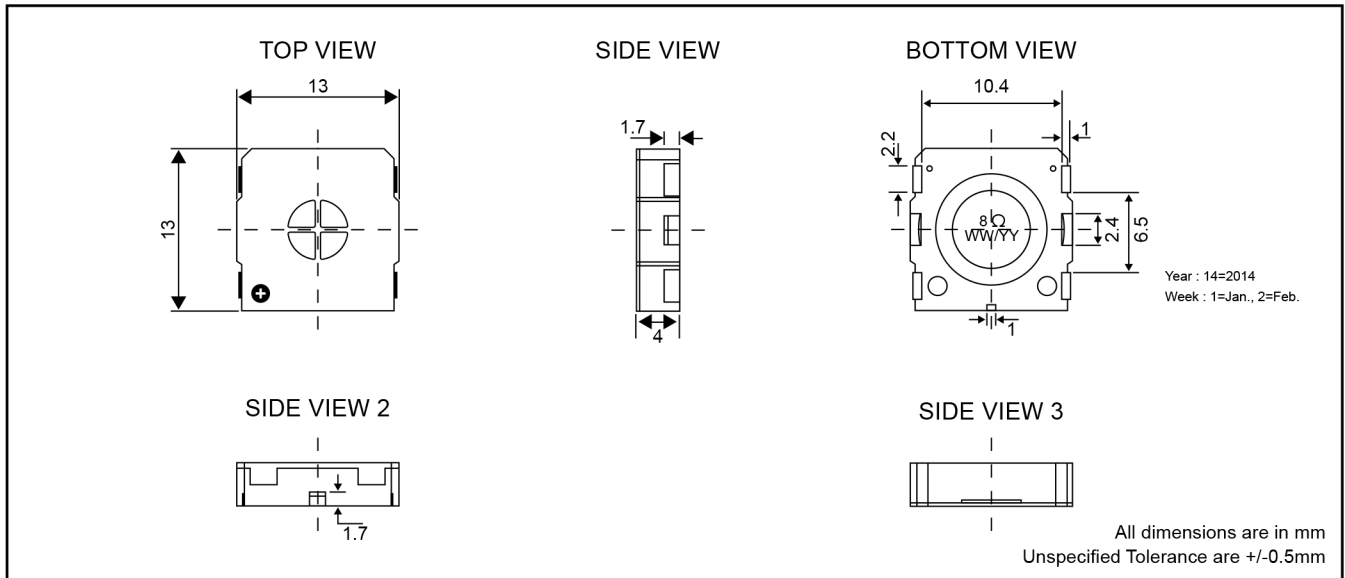
SMD Speaker

MSM1313 Series



DIMENSIONS

Date : 28 Oct.,2015



Ref. no. : CX051-4R

Remark : Laser jet top marking



ELECTRICAL SPECIFICATIONS

Model No.	LD-BZEL-M1313
Diameter	13 x 13 +/-0.5 mm
Height	4 +/- 0.5 mm
Output S.P.L.	88+/- 3 dB [At 0.7W, 0.1m ave. 1.0K, 1.6K, 2.0K, 3.2K Hz]
Impedance	8 ohm +/- 15%
Resonant Freq. [Fo]	850 Hz +/- 20 %
Freq. Response	Fo ~ 20K Hz
Rated Input Power	0.7 W
Max. Input Power	1.0 W
Buzzer & Rattles	Must Be Normal [Sine Wave 2.36 V. Fo ~ 20KHz]
Load Test	Must Be Normal [White Noise 0.7 W, 96 Hours]
Heat Test	Must Be Normal [85 +/- 3 °C, 96 Hours]
Cold Test	Must Be Normal [-40 +/- 3 °C, 96 Hours]
Humidity Test	40 +/- 3 °C, 92 ~ 95% R.H. 96 Hours
Case Material	Plastic
Magnet	Internal Magnet - SmCo
Operating Temperature	-30 ~ +85 °C
Storage Temperature	-40 ~ +85 °C
Weight	1.1 g