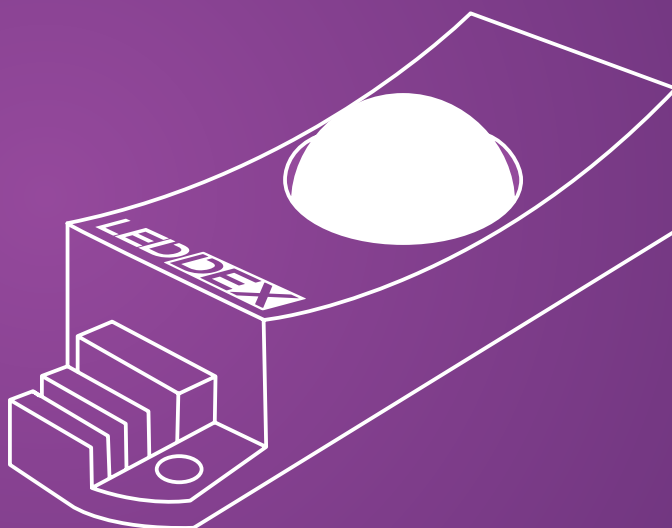


LEDDEX Premium Line

LED Module for shallow and narrow signs

- _ Wide lighting angle - 160°
- _ IC and CC drivers
- _ 5 years warranty
- _ LEDs by SAMSUNG
- _ LM80 Rated
- _ Super narrow and slim body
- _ Flame retardant RESIN body
- _ Can be cut between every module

5 YEAR
WARRANTY
SAMSUNG LED



LM-SAG2-W1

GENERAL INFORMATION

FEATURES

- _ High reliability LEDs by SAMSUNG (3623)
- _ High luminous efficiency - 70 lm/W
- _ Wide lighting angle lens - 160°
- _ Intelligent Control driver (IC)
- _ Constant current driver (CC)
- _ LM80 Rated (>80% of max. light output after 5 years)
- _ Flame retardant RESIN body (meets UL94 V-1 flammability standard)
- _ Can be cut between every module
- _ Attached 3M double-sided adhesive tape

APPLICATIONS

- _ Typically used in shallow signs
- _ Can depth/returns: 40 - 100 mm
- _ Extremely narrow letters from 20 millimeters
- _ Shallow light boxes
- _ Double-sided projecting signs

VISUAL APPEARANCE

RoHS COMPLIANT	CE	IP 67	0.6W	42 LUMEN	70 LM/W	160°	DC12V
----------------	----	-------	------	----------	---------	------	-------



5 YEAR WARRANTY
SAMSUNG LED

TECHNICAL SPECIFICATIONS

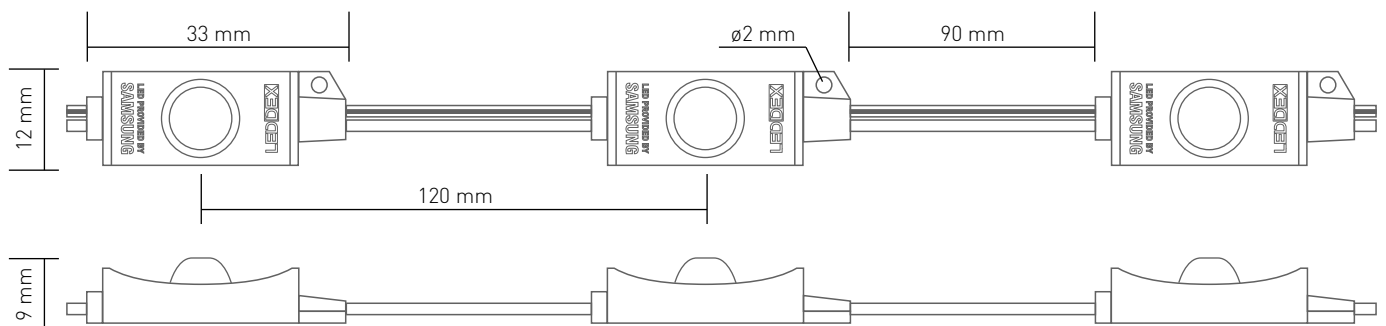
MAIN SPECIFICATIONS

Product code	LM-SAG2-W1
Available colors	white
Color temperature, K	6500~7000K
Power, W	0.6W
Typical luminous flux, lm	42 lm
LED Type	3623 (SAMSUNG LED)
Dimensions	33 x 12 x 9 mm
Protection class	IP67 - fully enclosed body, Flame retardant RESIN body

OTHER SPECIFICATIONS

Drivers	Intelligent Control (IC), Constant current (CC), Dimming: available
Working temperature	-30C° ~ +50C°
Cable length	Cable: 90 mm, Between centers: 120 mm
Mounting	Double-sided adhesive tape and mounting hole
Packaging	50 pcs. per bag, 200 pcs. per inner carton, 2400 pcs. per outer carton

TECHNICAL DRAWING



LM-SAG2-W1

LAYOUT AND SIZE COMPARISON

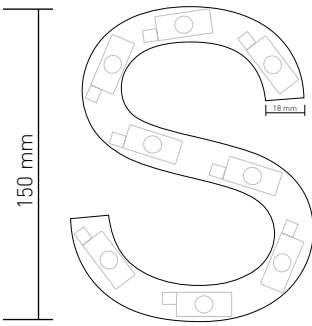
DEPTH RECOMMENDATION

PREMIUM SERIES LED MODULES

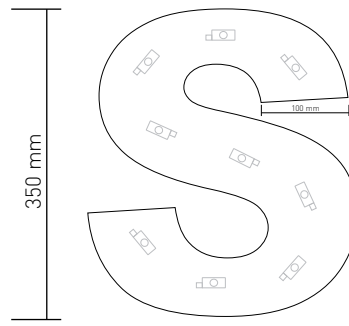
Product	Letter / Lightbox / Projector sign depth, mm																								
	40	50	60	70	80	90	100	110	120	130	140	150	160	170	180	190	200	210	220	230	240	250			
LM-SAG2-W1	◆	◆	◆	◆	◆	◆	◆																		
LM-SAG1-X2					◆	◆	◆	◆	◆	◆	◆	◆	◆	◆											
LM-SAG1-X3													◆	◆	◆	◆	◆	◆	◆	◆	◆	◆	◆		
LM-SAG2R-W1			◆	◆	◆	◆	◆	◆	◆	◆	◆	◆	◆	◆	◆	◆	◆								

LAYOUT EXAMPLE

LM-SAG2-W1 LED MODULE



Height: 150 mm
Stroke: 18 mm
Depth: 40 mm
Brightness: ~4700 lx
Typeface: Arial



Height: 350 mm
Stroke: 100 mm
Depth: 70 mm
Brightness: ~1750 lx
Typeface: Arial Black

SIZE COMPARISON

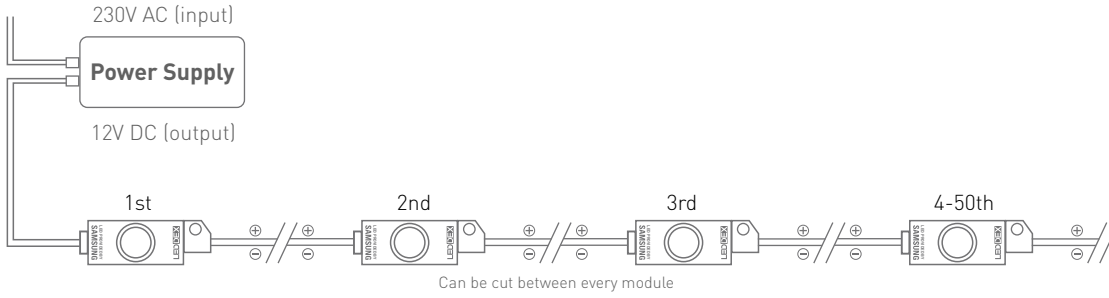
PREMIUM SERIES LED MODULES

Product	Actual proportions of the LED modules	
LM-SAG2-W1		
LM-SAG1-X2		
LM-SAG1-X3		
LM-SAG2R-W1		

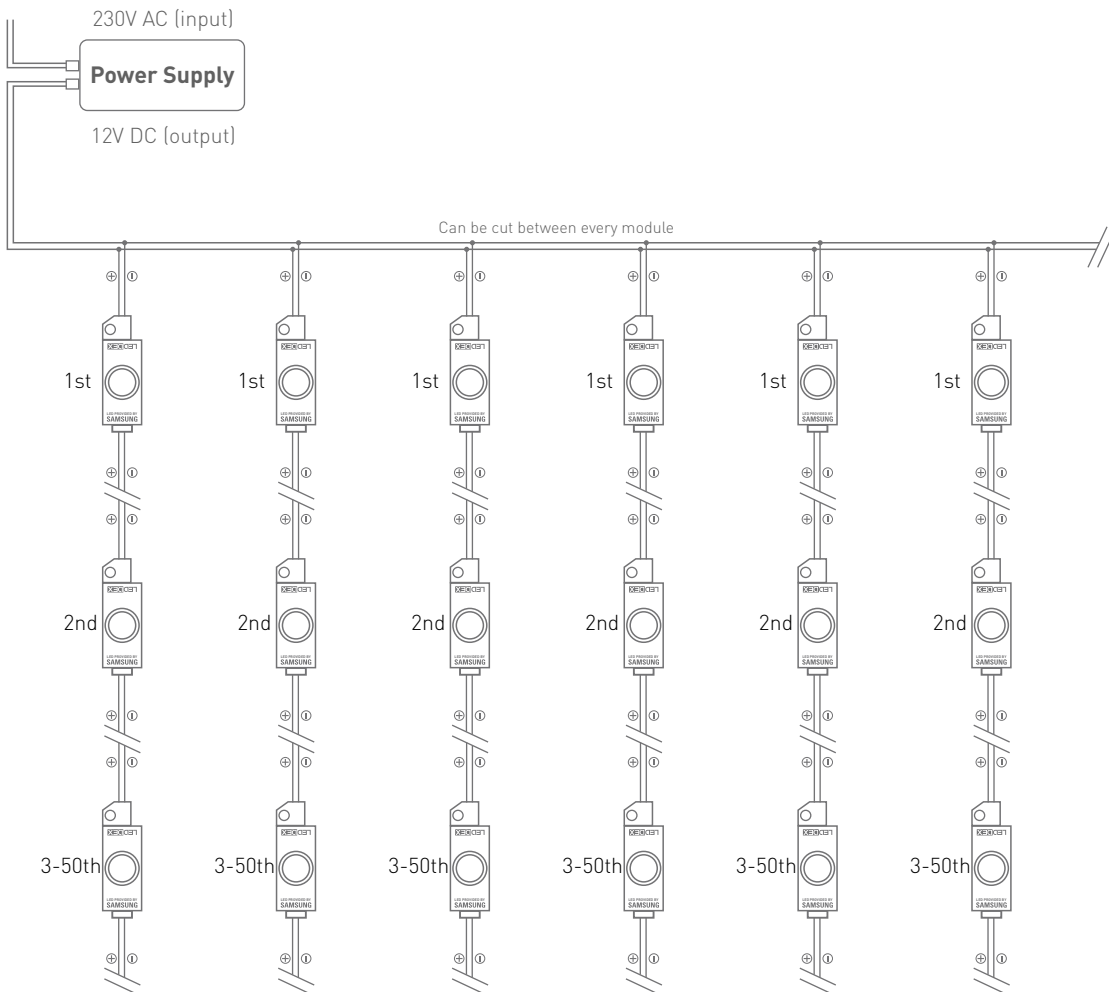
LM-SAG2-W1

CONNECTION IN SERIES AND PARALLEL

CONNECTION IN SERIES



CONNECTION IN PARALLEL



LM-SAG2-W1

_POWER SUPPLIES AND PACKAGING

POWER SUPPLIES

MAX. NO. OF MODULES PER POWER SUPPLY

Product	LPS-12V18W Power: 18W	LPS-12V60W Power: 60W	LPS-12V100W Power: 102W
LM-SAG2-W1 (0.6W per pc.)	25	84	142
LM-SAG1-X2 (0.48W per pc.)	31	103	175
LM-SAG1-X3 (0.72W per pc.)	21	69	117
LM-SAG2R-W1 (1.44W per pc.)	10	35	59

PACKAGING

NO. OF MODULES PER PACKAGE

Product	Plastic bag	Inner carton	Outer carton
LM-SAG2-W1	50	200	2400
LM-SAG1-X2	30	210	1680
LM-SAG1-X3	30	210	1680
LM-SAG2R-W1	20	100	500

