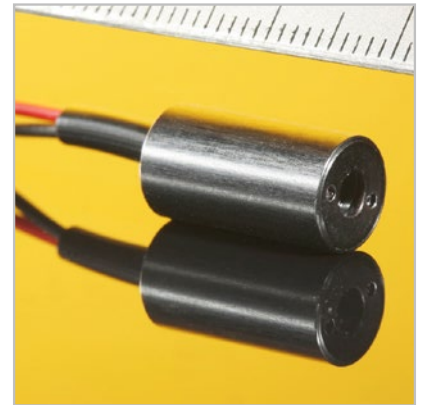


FLEXPOINT® Laser Diode Modules: The FP-Mini Series

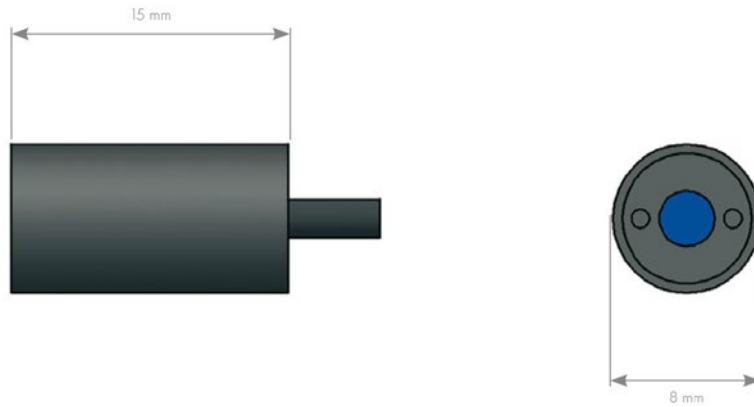
Smallest Design – Highest Quality

The FLEXPOINT® laser diode module FP-Mini-series is characterized by an extremely small design. This allows the modules to be integrated into systems with practically no available space. The modules are equipped with a variable lens that can be adjusted to focus or collimate a laser beam. The FP-Mini-series is available at two different power levels.

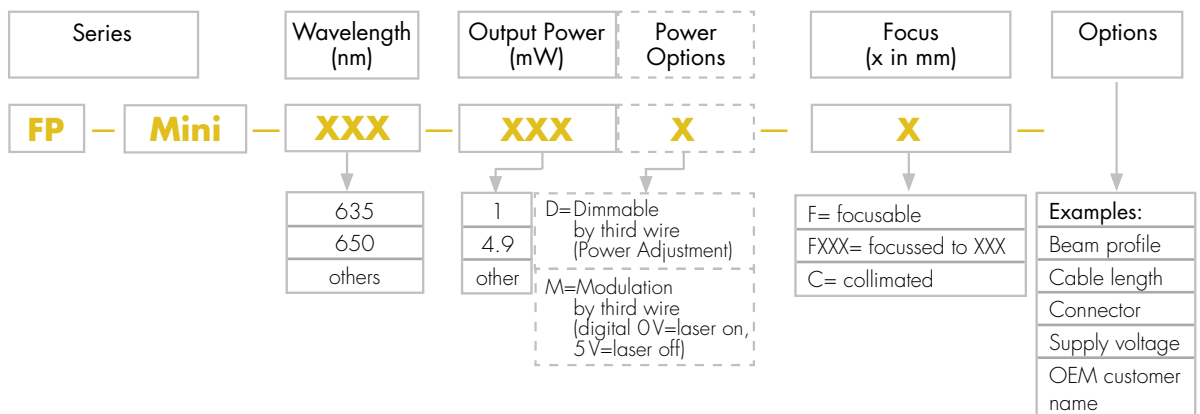


Specifications:

Beam profile	Dot laser
Wavelength	635 nm / 650 nm
Output power	1 mW or 4.9 mW
Power stability	< 5%
Beam diameter at output	Approx. 2.5 mm x 0.8 mm, focusable
Divergence	< 1.5 mrad
Supply voltage	4.5 – 6 VDC
Power consumption	< 50 mA
Dimensions	15 mm x 8 mm (l x Ø)
Housing	Aluminum, black anodized, potential-free
Length of wires	500 mm
Protection circuits	Surge, voltage peak, and reverse voltage protection
Operating temperature	0°C - 50°C (635 nm: 0°C - 40°C)
Storage temperature	-10°C - 85°C
Options	Analog or digital modulation up to 10 kHz Power adjustment using a control wire



Ordering Code FLEXPOINT® FP-Mini Series



Standard Lasers

FP-Mini-635-1-F	(635 nm, 1 mW, focusable)
FP-Mini-635-4.9-F	(635 nm, 4.9 mW, focusable)
FP-Mini-650-1-F	(650 nm, 1 mW, focusable)
FP-Mini-650-4.9-F	(650 nm, 4.9 mW, focusable)