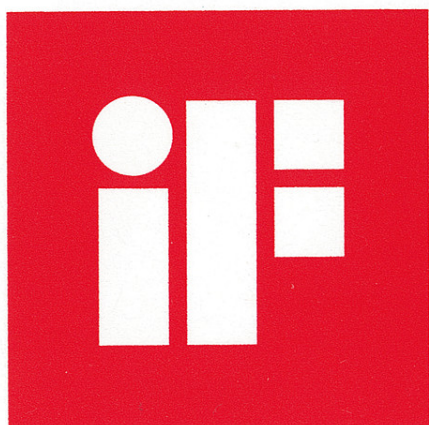
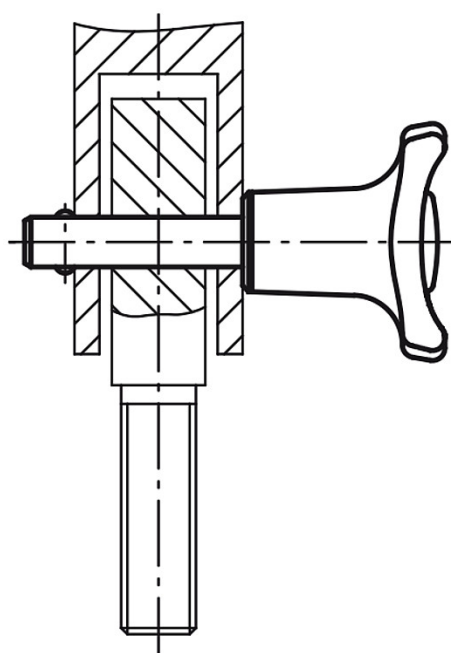


## Ball locking bolts self-locking

### Item description/product images



product  
design  
award



### Description

#### Material, version:

Grip black thermoplastic.

Push button red thermoplastic.

Steel parts in stainless steel, natural finish.

#### Note:

Ball locking bolts are used for fast and easy fixing and joining of parts and workpieces.

The two balls can be disengaged by depressing the push button, so that the parts to be joined can be pegged. When the push button is released the balls lock the connection safely and permanently.

Shearing force double-edged (F) = S · τ aB max.

#### Accessory:

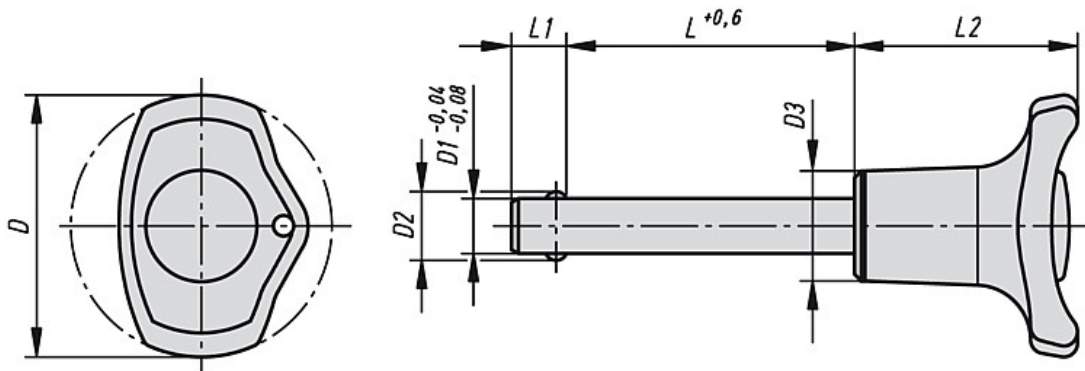
Safety spiral cable K0367.10200

Restraining cable with eye K0367. ....

Key ring K0367.15/19/23/28

# Ball locking bolts self-locking

## Drawings



## Overview of items

### Ball locking bolts self-locking

Order No.	D	D1	D2	D3	L	L1	L2	Receiving hole H11	Shearing force double shear max. kN
<b>K0363.3805***</b>	38	5	5,5	16	10/15/20/25/30	6	32,5	5	15
<b>K0363.3806***</b>	38	6	6,85	16	10/15/20/25/30/35/40/45/50	7	32,5	6	22
<b>K0363.3808***</b>	38	8	9,5	16	20/25/30/35/40/45/50	8	32,5	8	38
<b>K0363.4710***</b>	47	10	12	23	20/25/30/35/40/45/50/60	9	40	10	60
<b>K0363.4712***</b>	47	12	14,5	23	25/30/35/40/45/50/60/70/80	10	40	12	86
<b>K0363.4716***</b>	47	16	19	23	30/35/40/45/50/60/70/80	13	40	16	153