

Rod ends with male thread: EARM and EALM



- Maintenance-free, dry-running
- High stiffness
- Very high tensile strength for varying loads
- Compensation of misalignment
- Compensation of edge loads
- Insensitive to dirt, dust and lint
- Corrosion- and chemical-resistant
- High vibration-dampening capacity
- Suitable for rotating, oscillating, and linear movements
- Light weight
- Dimensional series E according to standard DIN ISO 12240
- For temperatures up to +200°C we recommend EARM-HT and EALM-HT ► [page 735](#)

Technical Data

Part number		Max. static tensile strength		Max. static radial load		Min. thread depth	Max. torque strength	Max. torque through ball	Weight
Right-hand thread	Left-hand thread	Short term [N]	Long term [N]	Short term [N]	Long term [N]	Thread [mm]	Outer threading [Nm]	[Nm]	[g]
EARM-05	EALM-05	550	275	50	25	14	0.4	2.0	2.2
EARM-06	EALM-06	850	425	80	40	14	0.5	2.5	2.7
EARM-08	EALM-08	1,600	800	160	80	17	2.0	7.0	5.1
EARM-10	EALM-10	2,600	1,300	250	125	19	5.0	14.0	8.4
EARM-10 F	EALM-10 F	2,600	1,300	250	125	19	3.0	14.0	8.4
EARM-12	EALM-12	3,100	1,550	300	150	20	6.0	25.0	14.3
EARM-12 F	EALM-12 F	3,100	1,550	300	150	20	6.0	25.0	14.3
EARM-15	EALM-15	3,400	1,700	600	300	24	12.5	30.0	21.1
EARM-17	EALM-17	3,600	1,800	900	450	26	17.5	35.0	30.2
EARM-17 F	EALM-17 F	3,600	1,800	900	450	26	21.0	35.0	30.2
EARM-20	EALM-20	6,800	3,400	1,700	850	30	25.0	40.0	57.3
EARM-20 M20	EALM-20 M20	6,800	3,400	1,700	850	30	25.0	40.0	57.3
EARM-25	EALM-25	7,000	3,500	1,000	500	37	45.0	55.0	94.8
EARM-30	EALM-30	7,000	3,500	2,000	1,000	46	85.0	70.0	156.4

Spherical ball materials to choose ► [page 815](#)



J4VEM:
clearance-free,
preloaded



JEM: low
moisture
absorption

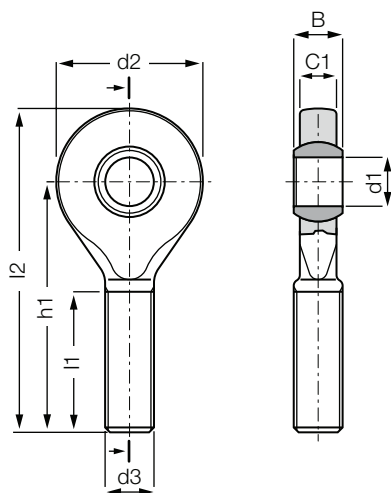


REM:
low-cost



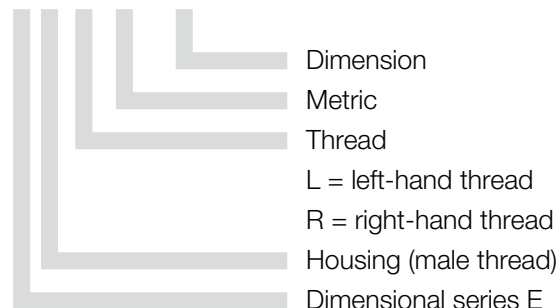
J4EM: low-cost
and low moisture
absorption

Rod ends with male thread: EARM and EALM



Order key

EA...M-05



Material:

Housing: **igumid G** ► page 1267

Spherical ball: **iglidur® W300** ► page 819

More spherical ball materials on request

► page 815

Dimensions [mm]

Part number		d1	d2	d3	C1	B	h1	l1	l2	Max. pivot angle
Right-hand thread	Left-hand thread	E10								
EARM-05	EALM-05	5	19	M05	4.4	6	36	20	45.5	33°
EARM-06	EALM-06	6	21	M06	4.4	6	36	20	46.5	27°
EARM-08	EALM-08	8	24	M08	6.0	8	41	24	53.0	24°
EARM-10	EALM-10	10	29	M10	7.0	9	47.5	27	62.0	24°
EARM-10 F	EALM-10 F	10	29	M10 x 1.25	7.0	9	47.5	27	62.0	24°
EARM-12	EALM-12	12	34	M12	8.0	10	54	29	71.0	21°
EARM-12 F	EALM-12 F	12	34	M12 x 1.25	8.0	10	54	29	71.0	21°
EARM-15	EALM-15	15	40	M14	10.0	12	63	34	83.0	21°
EARM-17	EALM-17	17	46	M16	11.0	14	69	37	92.0	18°
EARM-17 F	EALM-17 F	17	46	M16 x 1.5	11.0	14	69	37	92.0	18°
EARM-20	EALM-20	20	53	M20 x 1.5	13.0	16	80	43	106.5	16°
EARM-20 M20	EALM-20 M20	20	53	M20 x 2.5	13.0	16	80	43	106.5	16°
EARM-25	EALM-25	25	64	M24 x 2.0	17.0	20	97	53	129.0	16°
EARM-30	EALM-30	30	73	M30 x 2.0	19.0	22	113	65	149.5	13°



delivery from stock
time



prices price list online
www.igus.eu/eu/earm