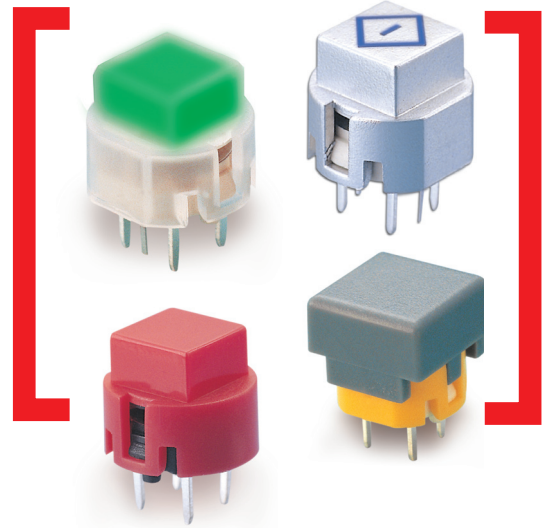


## » Features

- A short stroke, light tact feeling and long life switch with a button.
- There are five colors and four shapes available for users' selection. Many & Colorful Accessories Color buttons, color mounting frames, LED lights are available.

## » Applications

- Suitable for use in digital circuits of any electronic devices as reset switches, etc.

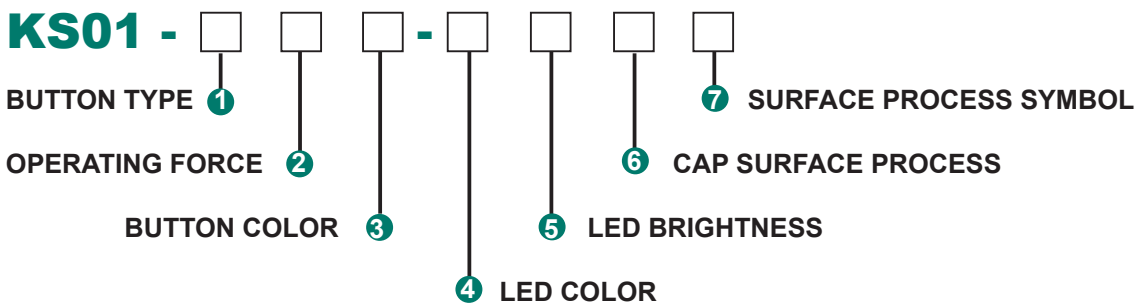


## » Specifications

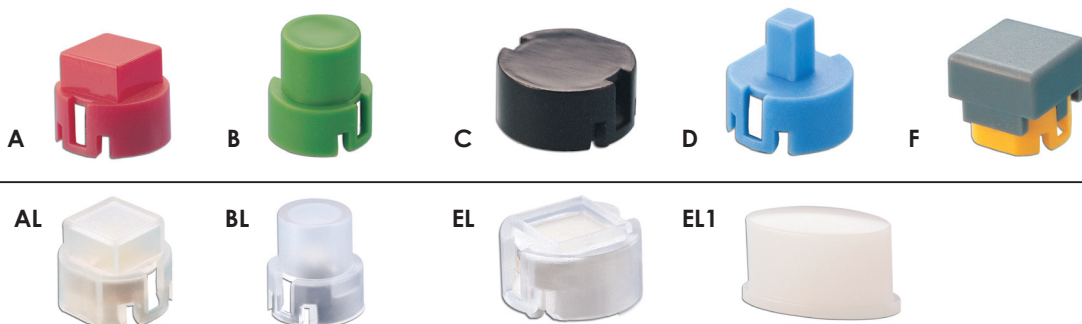
Rating	10mA 35VDC
Insulation Resistance	100MΩ Min(at 250 VDC)
Dielectric Strength	AC 250V (50/60 Hz for 1 minute)
Contact Resistance	30mΩ Max. (Initial)
Electrically Life	100,000 Cycles Min
Ambient Temperature	-20°C~ +60°C
Operating Force	V: 130 ± 50gf M: 250 ± 50gf



## » Product selection



### 1 BUTTON TYPE



# ILLUMINATED

# TACT SWITCHES

## 2 OPERATING FORCE

V	130 ± 50gf
M	250 ± 50gf

## 3 BUTTON COLOR

_	illuminated
R	Red
Y	Yellow
G	Green
B	Blue
W	White
BK	Black

## 4 LED COLOR

1	Red
2	Yellow
3	Green
4	Blue
5	White
6	Pure Green
12	Red / Yellow
13	Red / Green
23	Yellow/ Green
_	Non-illuminated

## 5 LED BRIGHTNESS

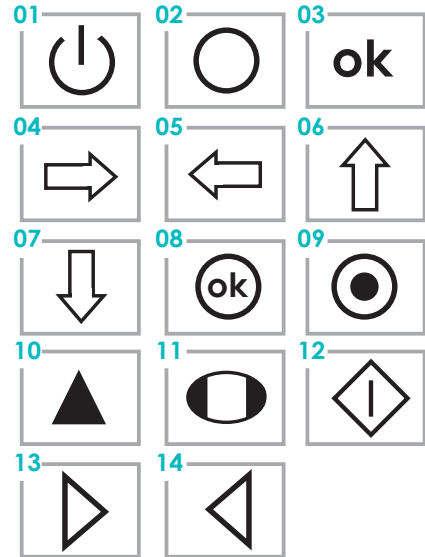
_	Standard
C	Customization

## 6 CAP SURFACE PROCESS

1	Misty Silver
2	Bright Silver
3	Gold

## 7 CAP SURFACE

### PROCESS SYMBOL



## » LED Specifications

Color	VR	IF	Recommended Operating Current	VF	
				Nom	Max
Red	DC 5V	20mA	20mA	1.7V	2.4V
Green	DC 5V	20mA	20mA	1.9V	2.4V
Yellow	DC 5V	20mA	20mA	1.9V	2.4V
Blue	DC 5V	20mA	20mA	3.0V	3.6V
White	DC 5V	20mA	20mA	3.0V	3.6V

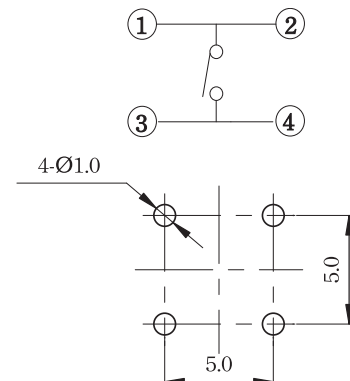
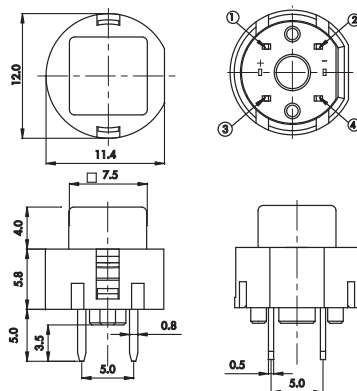
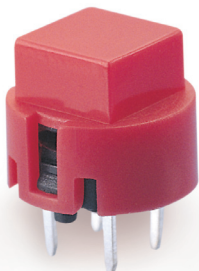
## » Operating characteristics

Unit: mm

### Dimensions

### Circuit P.C.B Layout

### KS01-A



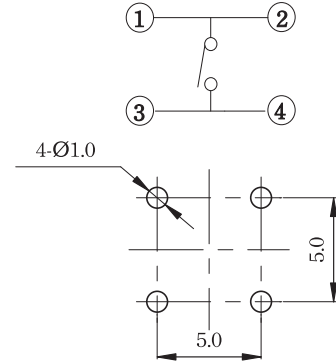
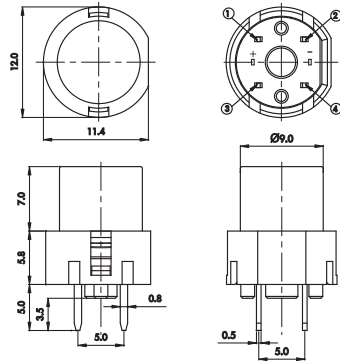
## » Operating characteristics

Unit: mm

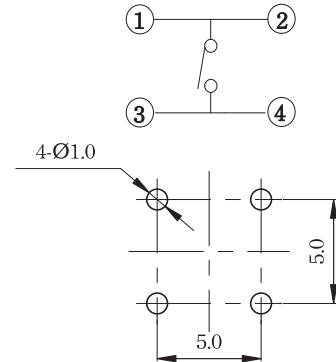
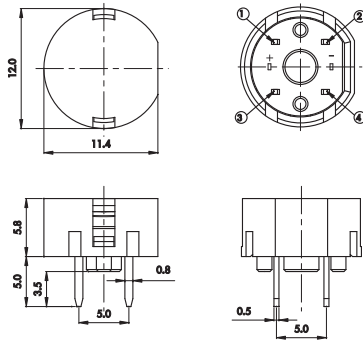
Dimensions

Circuit P.C.B Layout

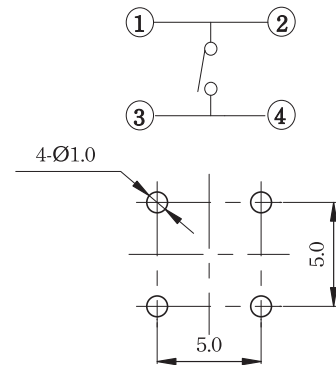
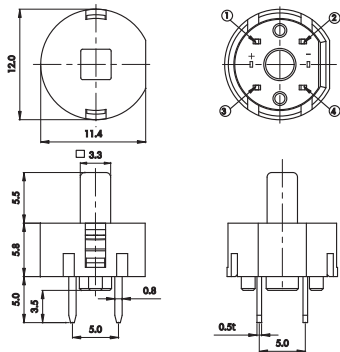
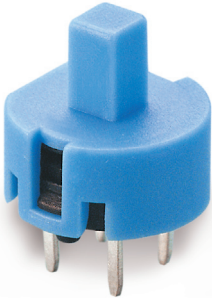
### KS01-B



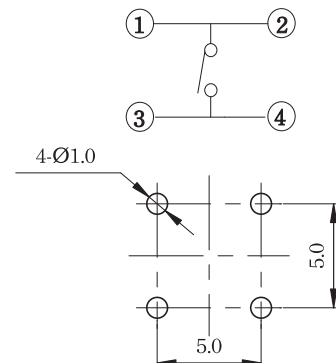
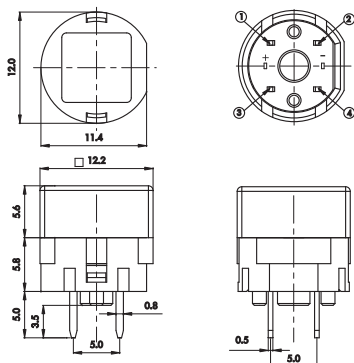
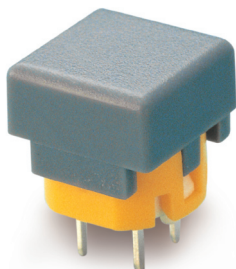
### KS01-C



### KS01-D



### KS01-F



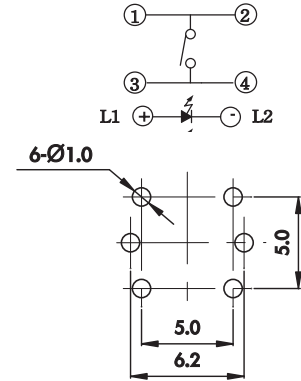
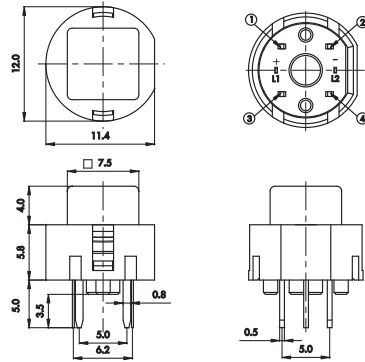
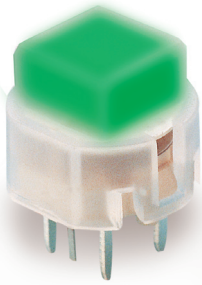
## » Operating characteristics

Unit: mm

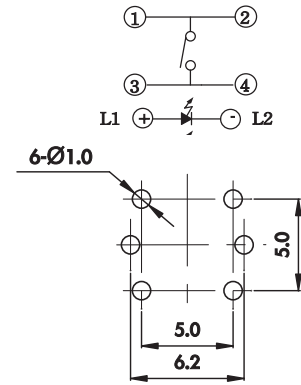
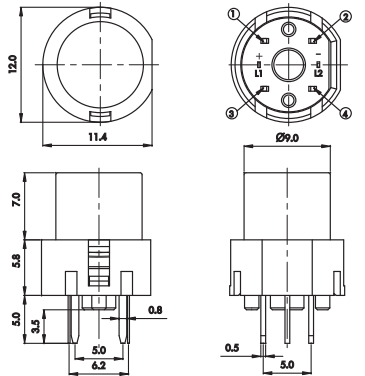
Dimensions

Circuit P.C.B Layout

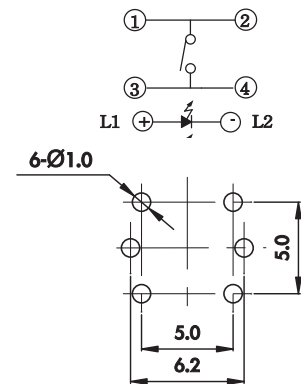
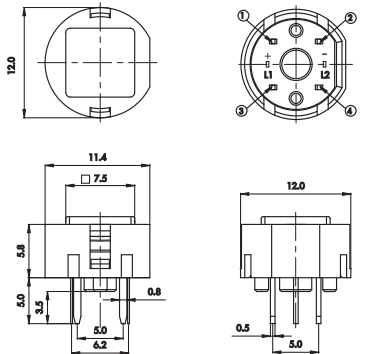
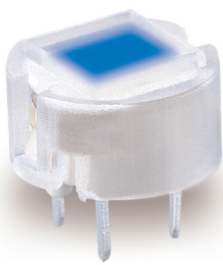
### KS01-AL



### KS01-BL



### KS01-EL



### KS01-EL1

