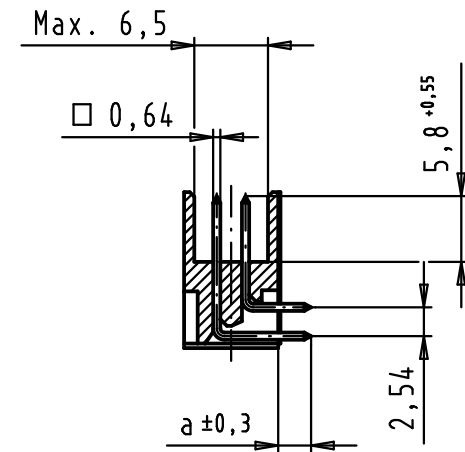
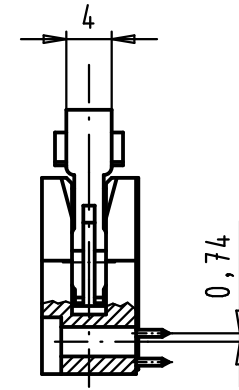
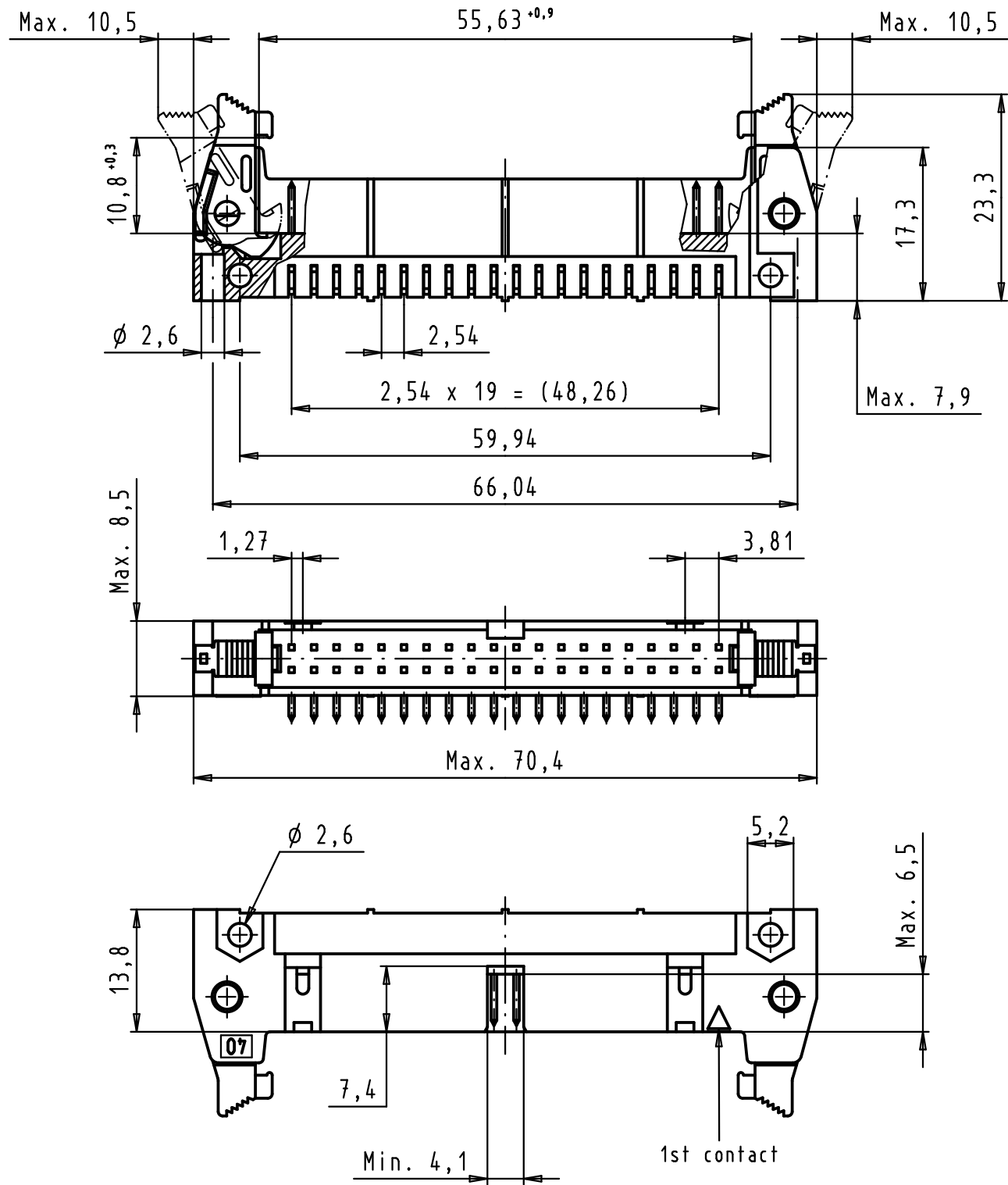
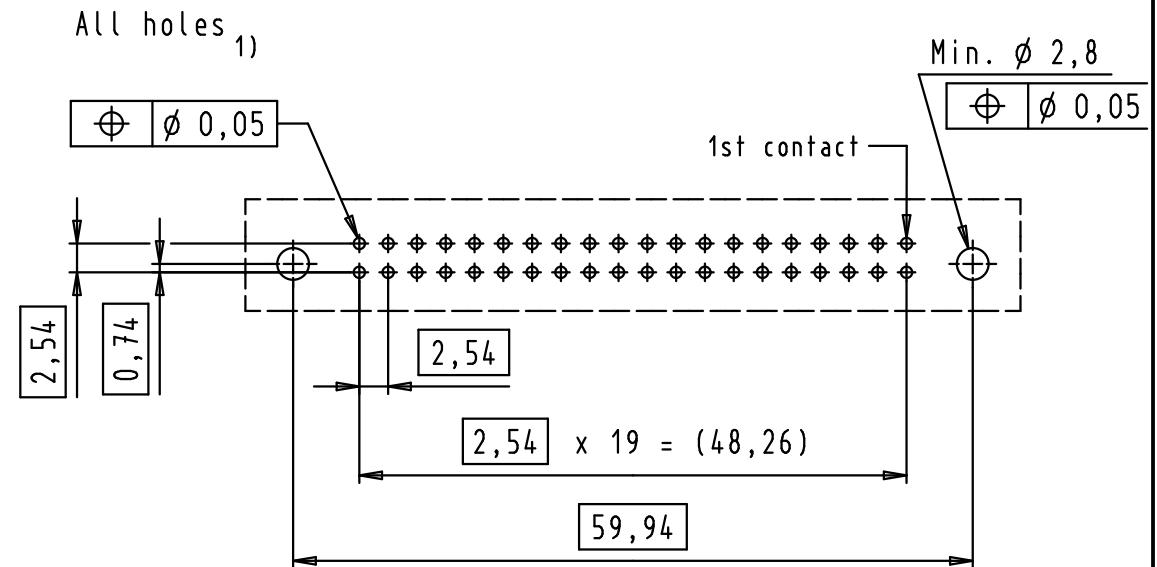


Alle Rechte vorbehalten/ All rights reserved

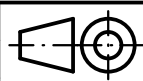



PCB layout, component side



1) Solder pins for PCB connections
 $\phi 1 \pm 0,1$ according to IEC 60 326-3

09 18 540 7911 001	3	4,5	Black insulator
09 18 540 6911 001	2	4,5	Black insulator
09 18 540 5911 001	0,76 μm Au	4,5	Black insulator
09 18 540 7913 001	3	2,9	Black insulator
09 18 540 6913 001	2	2,9	Black insulator
09 18 540 5913 001	0,76 μm Au	2,9	Black insulator
09 18 540 7911	3	4,5	Standard insulator color
09 18 540 6911	2	4,5	Standard insulator color
09 18 540 5911	0,76 μm Au	4,5	Standard insulator color
09 18 540 7913	3	2,9	Standard insulator color
09 18 540 6913	2	2,9	Standard insulator color
09 18 540 5913	0,76 μm Au	2,9	Standard insulator color
Part number	Performance level	a	Index designation

36255	04/02/11	SC		Dat.	Name	 All Dim. in mm Orig. Size DIN A 3	SEK 18 Male Connector Standard 40 poles Angled pins Short locking levers	Maßstab/ Scale 1,5:1
34890	01/02/08	PK	Detail.	01/12/99	JB			
29753	11/03/02	JB	Insp.	09/02/11	JB			
29739	03/12/01	JB	Stand.					
27931	15/06/00	JB						
26554								
Mod.	Dat.	Name	HARTING EURL F-95972 Paris				TB 09 18 540 X91X	Blatt/ Page 2 / 2