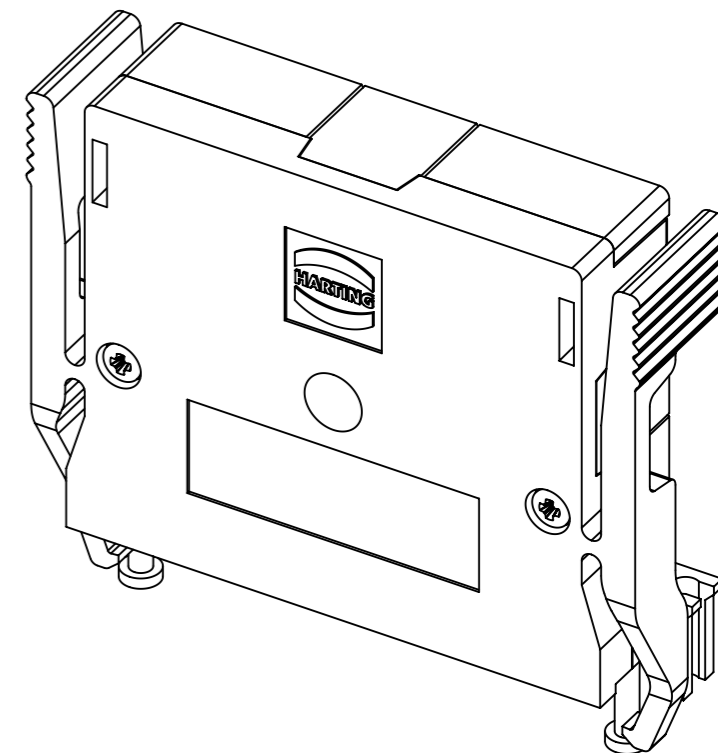
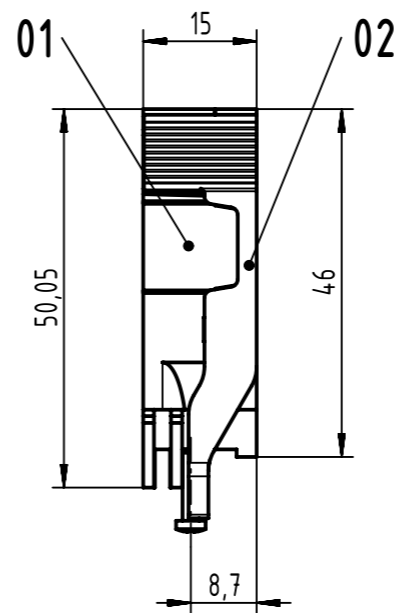
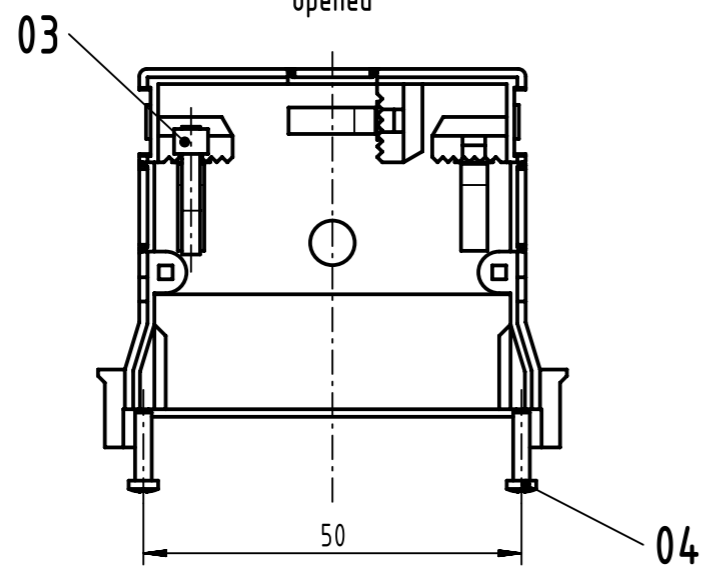


A

A

opened



parts not assembled

content shell housing-set			spare parts	
04	4	PT-screw 2.2x9.5 - PZ1	09060019974	1
03	1	cable tie		
02	1	cover		
01	1	shell		
pos. number	description		part number	number



All Dimensions in mm
Original Size DIN A3

Scale
1:1

Free size tol.

Ref.

Sub. TB 09 23 048 0501 Mod.: 36428 30.08.2011



All rights reserved
Department EC PD - DE

Created by
HASSE

Inspected by
JASCHKE

Standardisation
HOFFMANN

Date
2015-04-30

State
Final Release

Title
DIN Signal type 2C shell housing

Doc-Key / ECM-Nr.
100190912/UGD/002/B
50000088815

HARTING Electronics GmbH
D-32339 Espelkamp

Type
TB

Number
09230480501

Rev.
B

Page
1/1