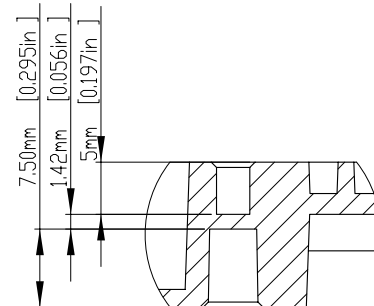
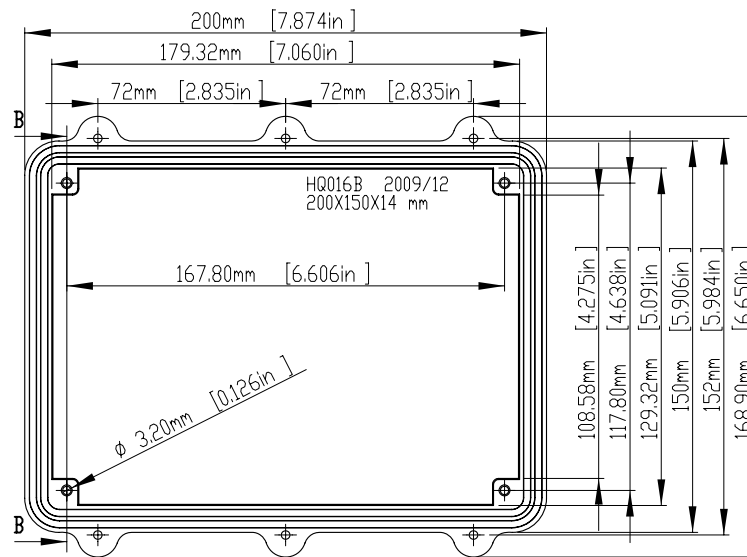
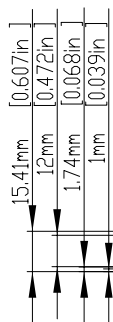
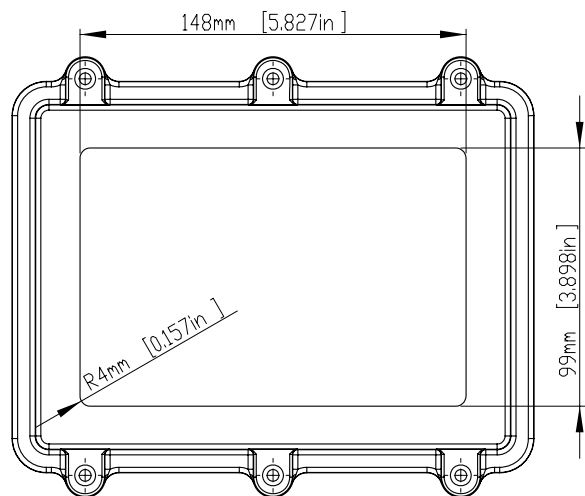


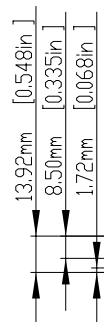
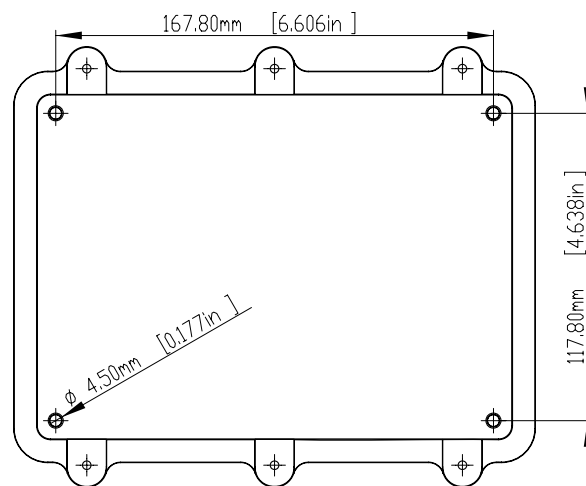
SIX(6)M4X20 mm
FLAT HEAD SCREWS



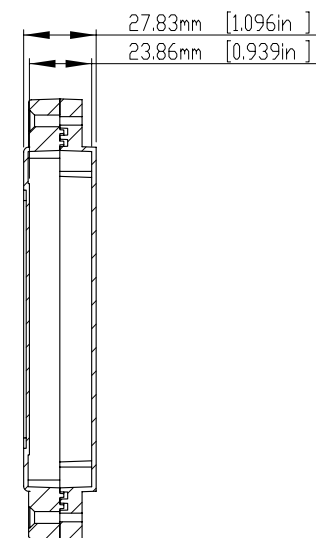
SECTION C
SECTION 2 : 1



SECTION A-A



SECTION B-B



TOLERANCES: \pm 0.30 mm (\pm 0.012in)

宜又實業有限公司
GAINTA INDUSTRIES LTD.

繪圖 DRA'D BY
JACKY

日期 DATE
2010/5/17

材質 MATE.
ALUMINIUM ALLOY ADC-12

圖名 TITLE:
HQ016

圖號 DWG NO:

版次 REVISID:
A

ITEM NO	DESCRIPTION
HQ016	NATURAL ALUMINIUM BOX<WITOUT THE GASKET>
HQ016S	@@ IP67 RATING @@<WITH THE SILICON GASKET>
HQ016EMS	@@ IP67 RATING @@<WITH THE SILICON & SHIELDED GASKET>

MATERIAL: ALUMINUM ALLOY #ADC-12

FINISH: NATURAL (NO SUFFIX)
GRAY (SUFFIX -LG)
BLACK (SUFFIX -BK)

- 1) SIX(6) M4 x 20mm (0.787") LG. SCREWS
SUPPLIED FOR ASSEMBLY OF COVER TO BODY.
- 2) ALL HOLE DIAMETERS HAVE ±0.10mm TOLERANCE
ALL OTHER DIMENSIONS HAVE ±0.30 mm TOLERANCE

宣又實業有限公司
GAINTA INDUSTRIES LTD.

繪圖 DRA'D BY
JACKY

日期 DATE
2010/5/17

材質 MATE.
ALUMINIUM ALLOY ADC-12

圖名TITLE:
HQ016

圖號DWG NO:

版次REVISID:
A