

G1XXMF SERIES

IP65 and IP67 DIE-CAST ALUMINUM ENCLOSURES WITH MOUNTING FLANGE

ETC IP65
CERTIFIED

ETC IP67
CERTIFIED



PRODUCT INFORMATION

- Material: aluminium Alloy ADC-12 to JAPAN (JIS)
- Finish: Natural aluminium color.
- Designed to meet IP65, IP67 through the use of EPDM gasket with the universal tongue and groove seal system.
- Wall mounting holes and lid fixing screws are outside the sealing area for real sealing protection.
- Mounting Flange is designed on the bottom of the base, so the base can be mounted with M5 pan head machine screws on the wall easily.

LIGHT GREY(LG), BLACK(BK) OF POWDER COATED ALUMINIUM ENCLOSURES ARE AVAILABLE FOR ORDERING .
JUST NEED TO ADD THE COLOR CODE AFTER THE ITEM NO.
Ex: G102MFLG, G125MFBK



G111MFLG



G113MFBK



G104MF



G104MF-IP67

IP65 RATING

(with non-continuous gasket)

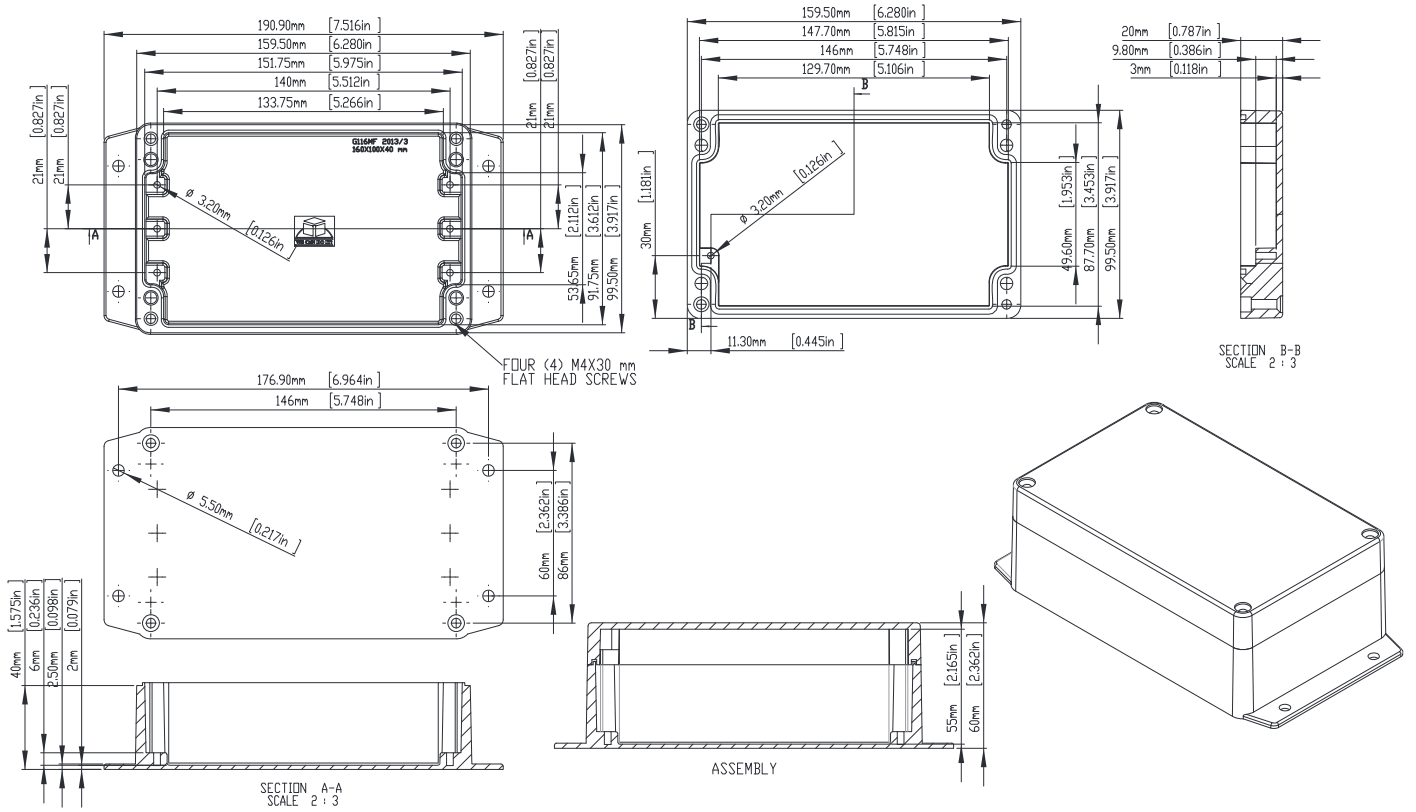
ITEM No.	EXTERNAL DIMENSION(mm)
G102MF	90 x 36 x 30
G104MF	64 x 58 x 35
G106MF	115 x 65 x 30
G107MF	125 x 80 x 40
G108MF	125 x 80 x 57
G111MF	115 x 65 x 55
G113MF	115 x 90 x 55
G115MF	148 x 108 x 75
G116MF	160 x 100 x 60
G117MF	160 x 100 x 81
G120MF	171 x 121 x 55
G123MF	200 x 120 x 75
G124MF	222 x 146 x 55
G125MF	222 x 146 x 82

IP67 RATING

(with continuous seal)

ITEM No.	EXTERNAL DIMENSION(mm)
G102MF-IP67	90 x 36 x 30
G104MF-IP67	64 x 58 x 35
G106MF-IP67	115 x 65 x 30
G107MF-IP67	125 x 80 x 40
G108MF-IP67	125 x 80 x 57
G111MF-IP67	115 x 65 x 55
G113MF-IP67	115 x 90 x 55
G115MF-IP67	148 x 108 x 75
G116MF-IP67	160 x 100 x 60
G117MF-IP67	160 x 100 x 81
G120MF-IP67	171 x 121 x 55
G123MF-IP67	200 x 120 x 75
G124MF-IP67	222 x 146 x 55
G125MF-IP67	222 x 146 x 82

G116MF



G117MF

