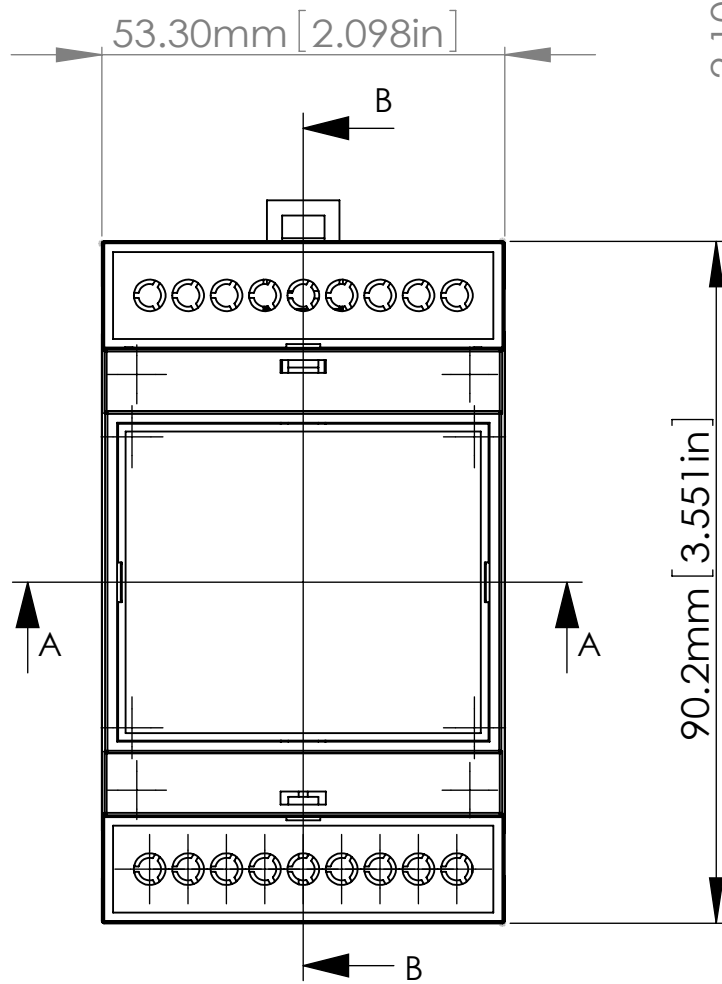
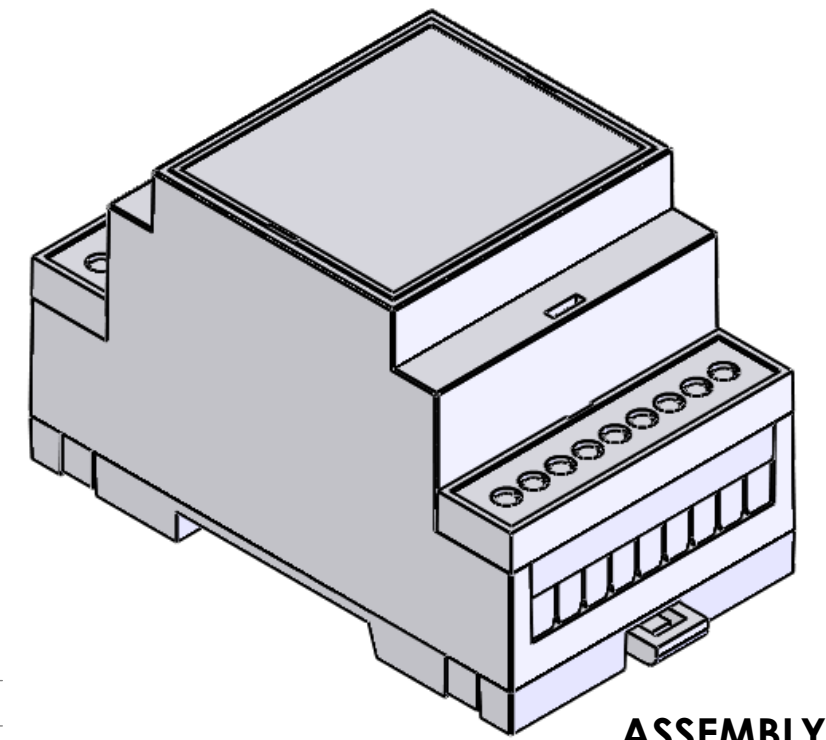
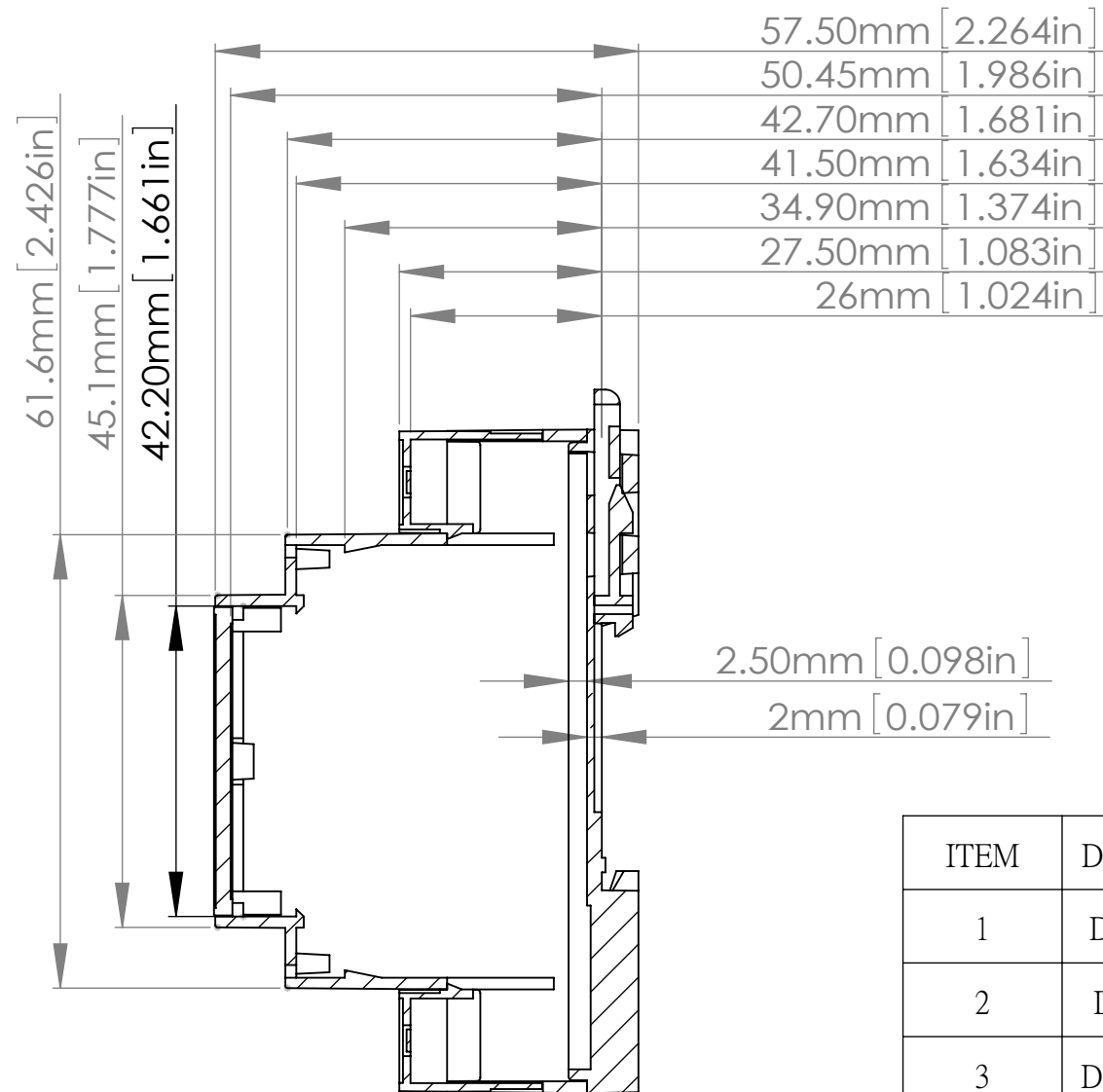


SECTION A-A  
SCALE 1 : 1

2.10mm [0.083in]  
2.10mm [0.083in]  
6.60mm [0.260in]  
46.70mm [1.839in]



SECTION B-B  
SCALE 1 : 1



ASSEMBLY

ITEM	DESCRIPTION	MATERIAL	COLOUR	UNIT
1	D3MG-BODY	PC/ABS(UL94-V0)	GREY	1
2	D3MG-BASE	PC/ABS(UL94-V0)	GREY	1
3	D3MG-COVER	PC/ABS(UL94-V0)	GREY	1
4	D3MG-GUARD	PC/ABS(UL94-V0)	GREY	2
5	D3MG-WALL CLIP	NYLON66(UL94-V0)	DARK GREY	1

宣又實業有限公司  
GAINTA INDUSTRIES LTD.

繪圖 DRA'D BY  
JACKY

日期 DATE  
2010/4/15

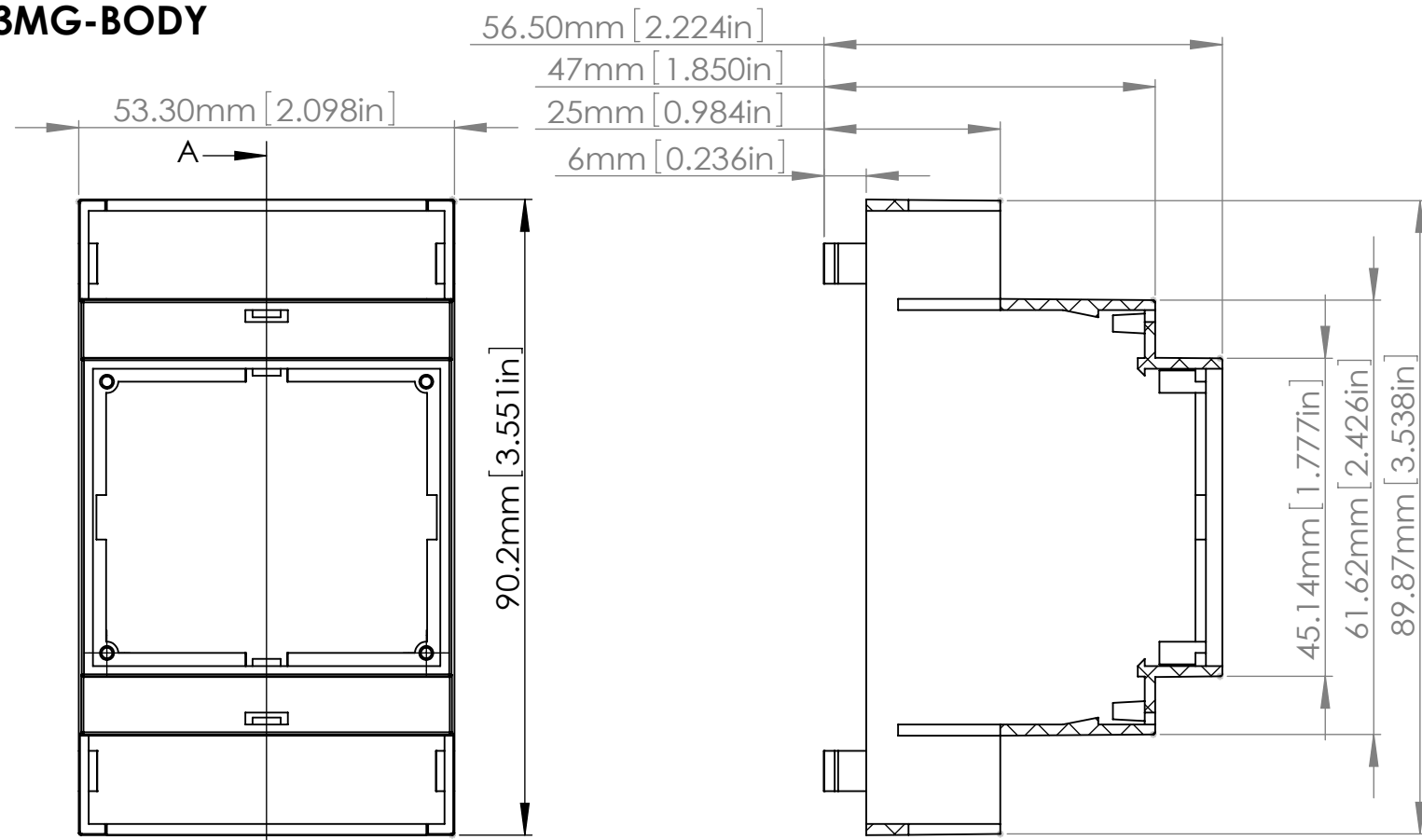
材質 MATE.  
PC/ABS(UL94-V0);  
NYLON66(UL94-V0)

圖名TITLE:  
D3MG-ASSEMBLY

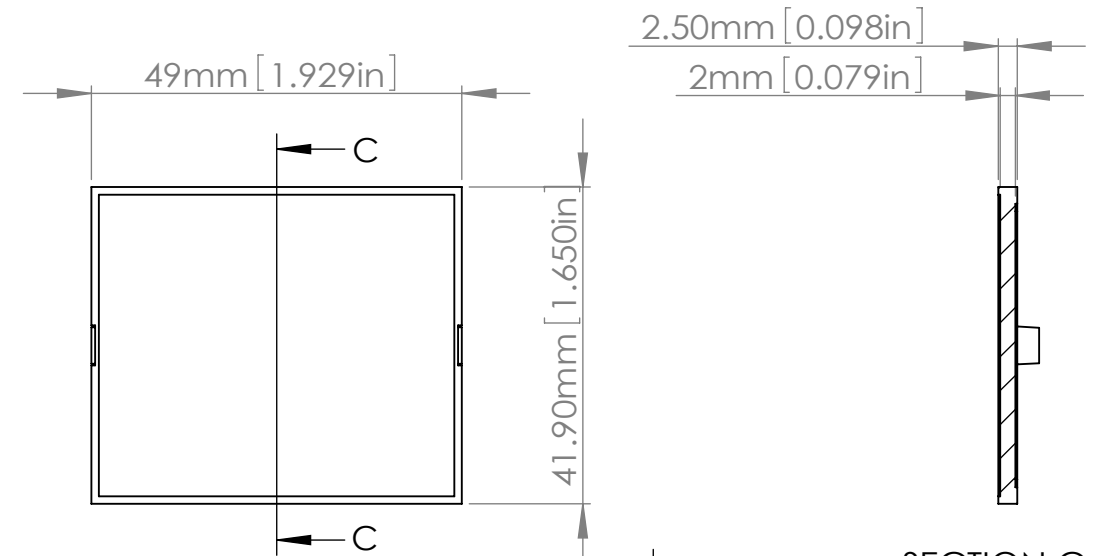
圖號DWG NO:

版次REVISID:  
A

**D3MG-BODY**

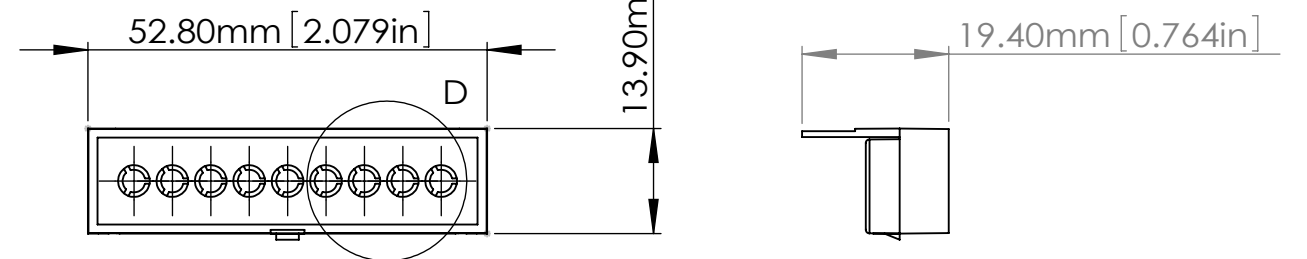


**D3MG-COVER**



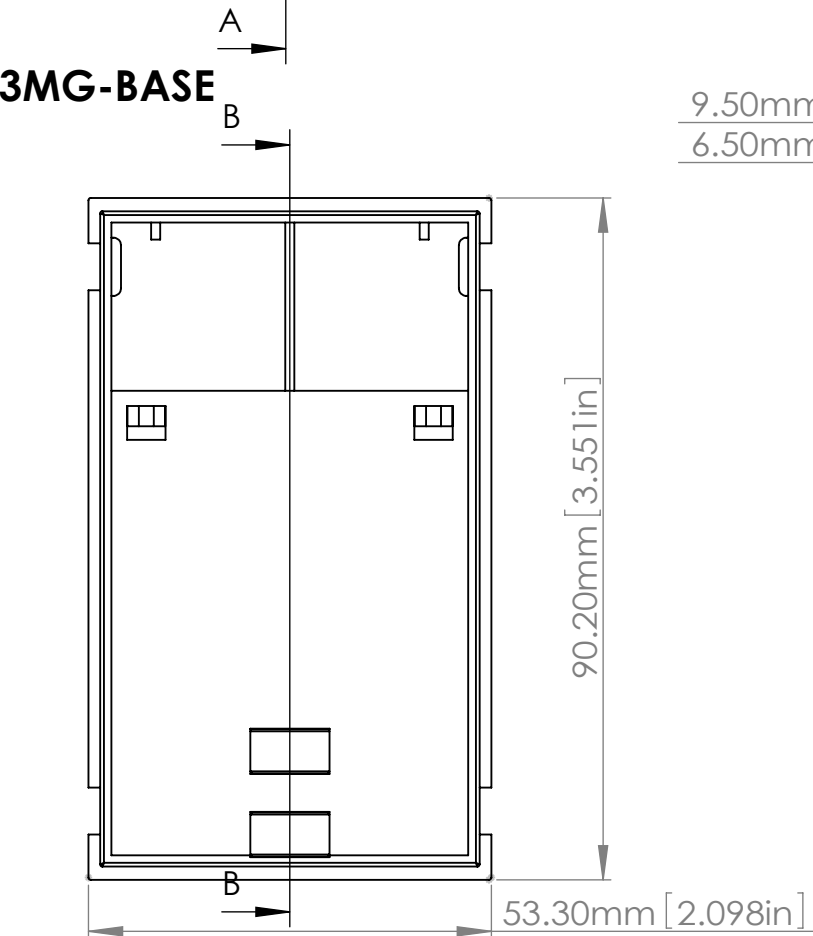
SECTION C-C  
 SCALE 1 : 1

**D3MG-GUARD**

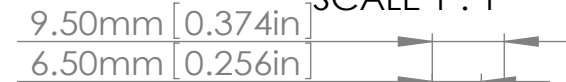


SECTION D  
 SCALE 1 : 1

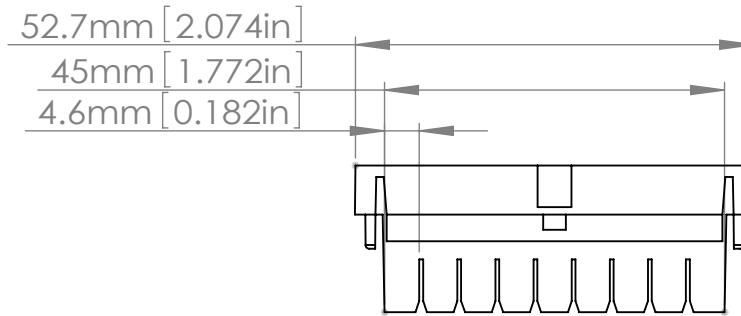
**D3MG-BASE**



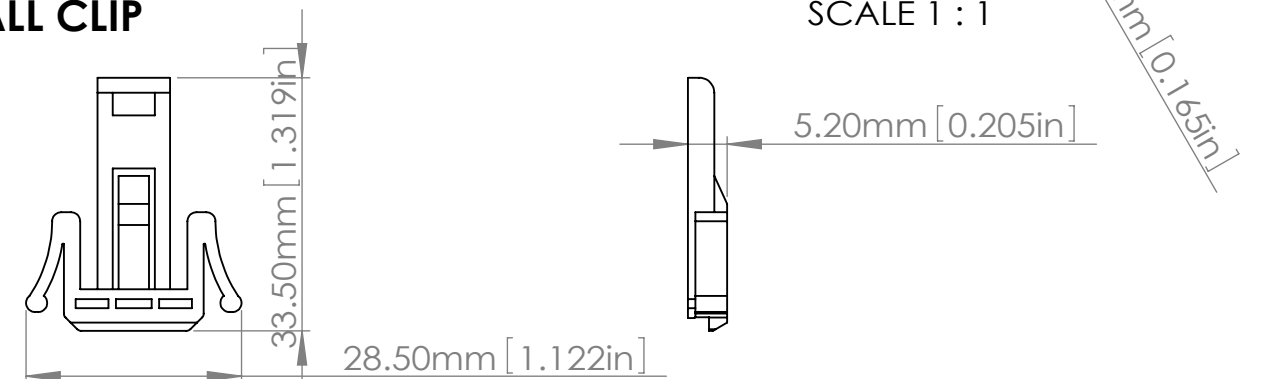
SECTION A-A  
 SCALE 1 : 1



SECTION B-B  
 SCALE 1 : 1



**D3MG-WALL CLIP**



宣又實業有限公司  
 GAINTA INDUSTRIES LTD.

繪圖

DRA'D BY

JACKY

日期

2010/4/13

DATE

材質

MATE.

PC/ABS(UL94-V0);  
 NYLON66(UL94-V0)

圖名TITLE:

D3MG-PART

圖號DWG NO:

版次REVISID:

A