

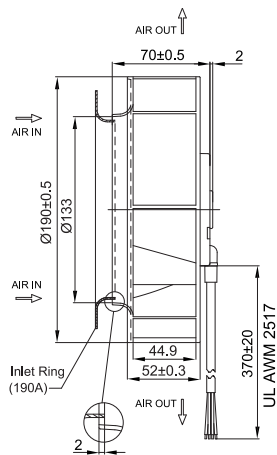
# UF190APA Series

Size :  $\varnothing 190 \times 70$

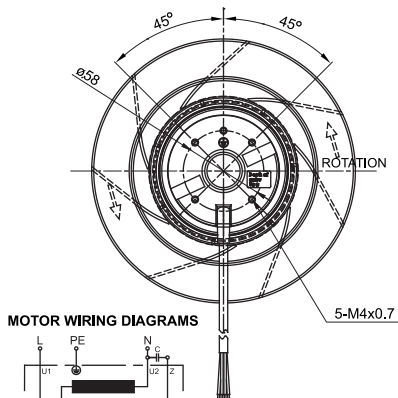
Unit : mm



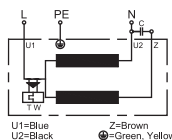
Thermal Protection



Lead Wire Type

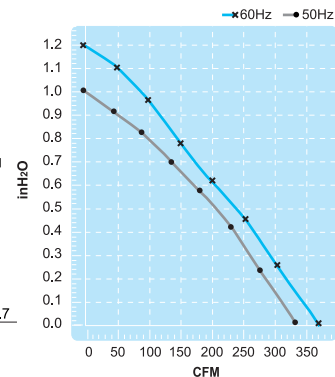


MOTOR WIRING DIAGRAMS



U1=Blue  
U2=Black  
Z=Brown  
●=Green, Yellow

(Centrifugal Fan)



Spec. Model	Rated Voltage V	Frequency Hz	Input Power W	Rated Current A	Locked Current A	Speed RPM	Maximum Air Flow m <sup>3</sup> /min.	Maximum Air Flow CFM	Maximum Pressure mmH <sub>2</sub> O	Maximum Pressure InchH <sub>2</sub> O	Capacitor $\mu$ F/VDB	Noise dB	Weight kg
UF190APA11H1C2A	115V	50	55	0.45	0.92	2500	9.5	335	25	1.0	6/250	60	1.2
		60	65	0.54	0.91	2700	10.4	370	30	1.2		63	
UF190APA23H1C2A	230V	50	57	0.23	0.43	2500	9.5	335	25	1.0	2/450	60	1.2
		60	72	0.30	0.45	2700	10.4	370	30	1.2		63	