

Part number:

1196960

Copyright

© 2012, FLIR Systems, Inc.

All rights reserved worldwide. Names and marks appearing herein are either registered trademarks or trademarks of FLIR Systems and/or its subsidiaries. All other trademarks, trade names or company names referenced herein are used for identification only and are the property of their respective owners.

October 05, 2012, 04:41 AM

Corporate Headquarters

FLIR Systems, Inc.
27700 SW Parkway Ave.
Wilsonville, OR 97070
USA
Telephone: +1-503-498-3547

Website

<http://www.flir.com>

Customer support

<http://support.flir.com>

Legal disclaimer

Specifications subject to change without further notice. Camera models and accessories subject to regional market considerations. License procedures may apply.

Information and equipment described herein may require US Government authorization for export purposes. Diversion contrary to US law is prohibited.



General description

This wide angle lens has a field of view almost double that of the standard lens. Perfect for wide or tall targets or when working in crowded spaces.

Technical data

Field of view (FOV)	45° × 33.8°
Minimum focus distance	0.20 m (0.66 ft.)
Focal length	9.66 mm (0.38 in.)
Spatial resolution (IFOV)	Depends on the IR resolution of the camera: 5.18 mrad for 160 × 120 pixels 4.14 mrad for 200 × 150 pixels 3.45 mrad for 240 × 180 pixels 2.59 mrad for 320 × 240 pixels
F-number	1.3
Weight	0.105 kg (0.231 lb.), incl. two lens caps
Size (L × D)	38 × 47 mm (1.5 × 1.9 in.)

Shipping information

- Lens
- Lens case

Compatible with the following products

- 40206-0102 FLIR T200
- 45606-0201 FLIR T200 (9 Hz)
- 40205-0201 FLIR T250
- 45605-0201 FLIR T250 (9 Hz)
- 45605-0201-1 FLIR T250 (9 Hz) + EX845
- 45305-0201 FLIR T300 (30 Hz)
- 45004-0201 FLIR T330 (50 Hz)
- 45311-0201 FLIR T335 (30 Hz)
- 45311-0201-1 FLIR T335 (30 Hz) + EX845
- 45609-0201 FLIR T335 (9 Hz)
- 45609-0201-1 FLIR T335 (9 Hz) + EX845
- 45002-0201 FLIR T340 (50 Hz)
- 45302-0201 FLIR T360 (30 Hz)
- 37705-0102 FLIR T360 (9 Hz)
- 45309-0201 FLIR T365 (30 Hz)
- 45309-0201-1 FLIR T365 (30 Hz) + EX845
- 45602-0201 FLIR T365 (9 Hz)
- 45602-0201-1 FLIR T365 (9 Hz) + EX845
- 45001-0202 FLIR T390 (50 Hz)
- 45301-0202 FLIR T400 (30 Hz)
- 45307-0202 FLIR T425 (30 Hz)
- 45307-0202-1 FLIR T425 (30 Hz) + EX845
- 45601-0202 FLIR T425 (9 Hz)
- 45601-0202-1 FLIR T425 (9 Hz) + EX845
- 40208-0102 FLIR B200
- 45608-0201 FLIR B200 (9 Hz)
- 40207-0201 FLIR B250
- 45607-0201 FLIR B250 (9 Hz)
- 45607-0201-1 FLIR B250 (9 Hz) + MO297
- 45306-0201 FLIR B300 (30 Hz)
- 45312-0201 FLIR B335 (30 Hz)
- 45312-0201-1 FLIR B335 (30 Hz) + MO297
- 45610-0201 FLIR B335 (9 Hz)
- 45610-0201-1 FLIR B335 (9 Hz) + MO297
- 45304-0201 FLIR B360 (30 Hz)
- 37706-0102 FLIR B360 (9 Hz)
- 45310-0201 FLIR B365 (30 Hz)
- 45310-0201-1 FLIR B365 (30 Hz) + MO297



IR lens, f = 10 mm, 45° incl. case

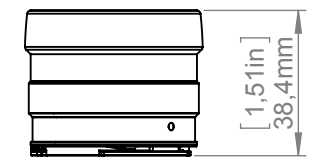
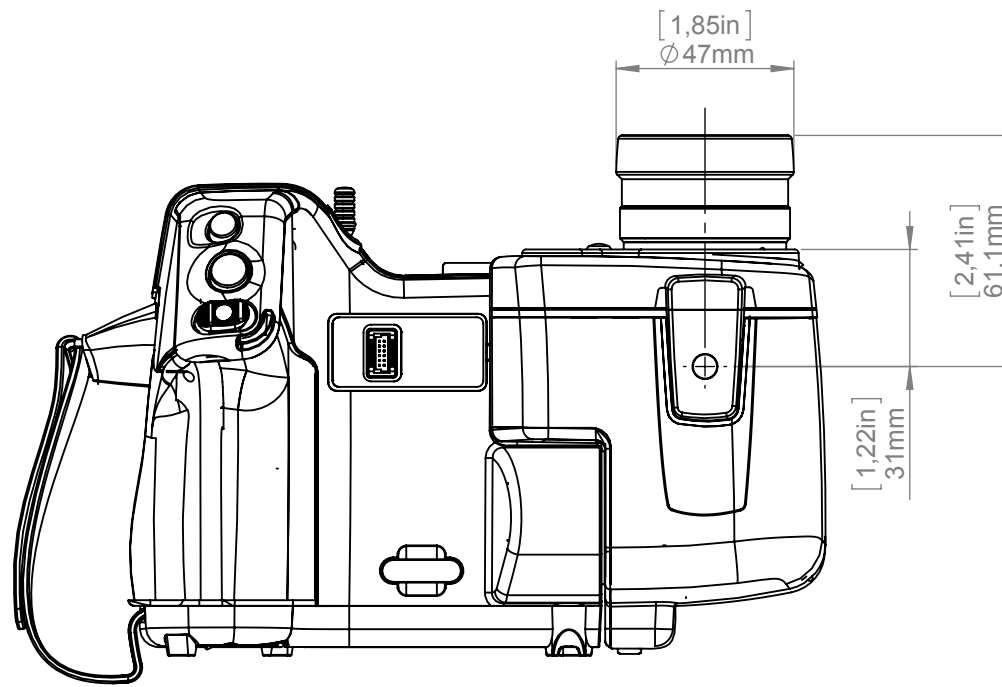
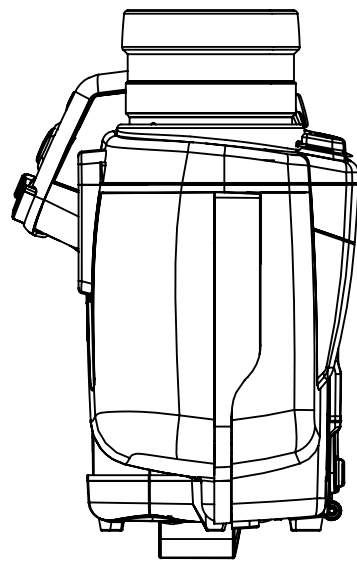
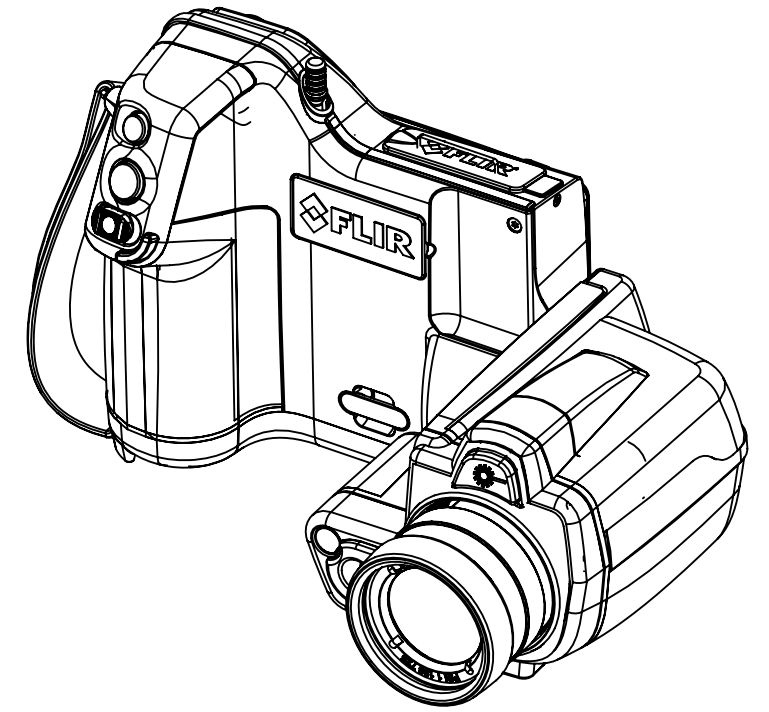
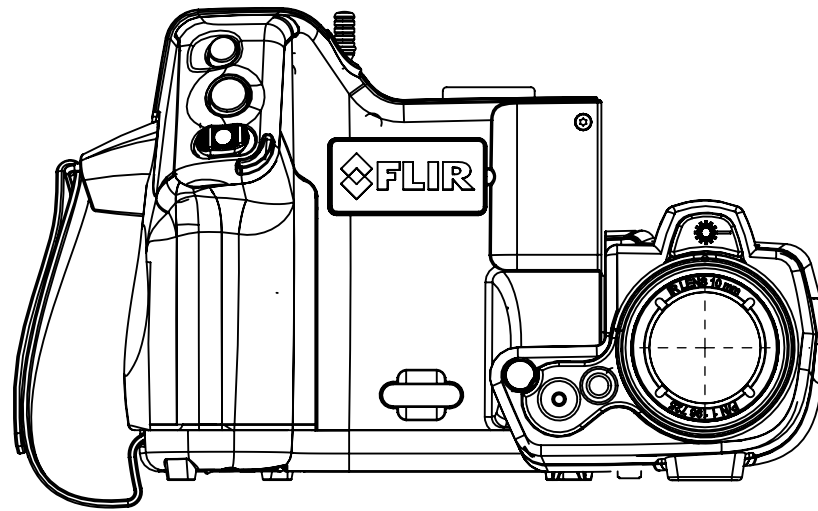
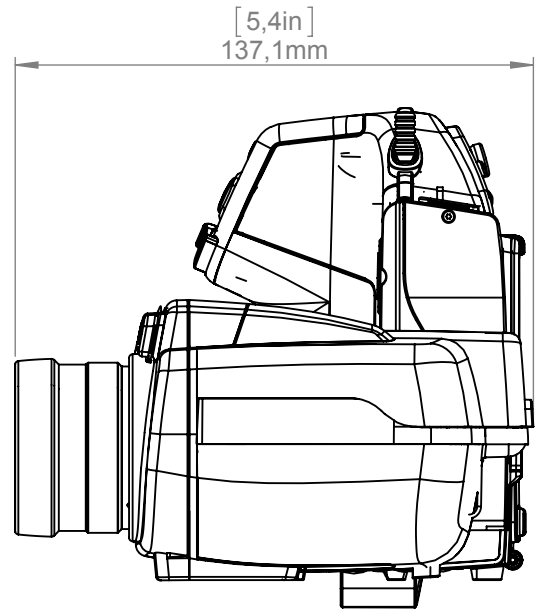
P/N: 1196960

© 2012, FLIR Systems, Inc.
All rights reserved worldwide.

Compatible with the following products

- 45604-0201 FLIR B365 (9 Hz)
- 45604-0201-1 FLIR B365 (9 Hz) + MO297
- 45303-0202 FLIR B400 (30 Hz)
- 45308-0202 FLIR B425 (30 Hz)
- 45308-0202-1 FLIR B425 (30 Hz) + MO297
- 45603-0202 FLIR B425 (9 Hz)
- 45603-0202-1 FLIR B425 (9 Hz) + MO297
- 62101-0202 FLIR T420 25°
- 62101-0101 FLIR T420 25° (incl. Wi-Fi)
- 62101-0602 FLIR T420bx 25°
- 62101-0501 FLIR T420bx 25° (incl. Wi-Fi)
- 62101-0402 FLIR T440 25°
- 62101-0301 FLIR T440 25° (incl. Wi-Fi)
- 62101-0802 FLIR T440bx 25°
- 62101-0701 FLIR T440bx 25° (incl. Wi-Fi)
- 62102-1004 FLIR T450sc 25°
- 62102-0903 FLIR T450sc 25° (incl. Wi-Fi)
- 48201-1001 FLIR A300
- 42701-1001 FLIR A300 (9 Hz)
- 48201-1101 FLIR A310
- 42701-1101 FLIR A310 (9 Hz)
- 48001-1101 FLIR A315
- 42901-1101 FLIR A315 (9 Hz)
- 48201-1201 FLIR A320 Tempscreen
- 42701-1201 FLIR A320 Tempscreen (9 Hz)
- 42901-1001 FLIR A305sc
- 48001-1001 FLIR A325sc
- 49001-1801 FLIR E30
- 49001-1901 FLIR E30bx
- 49001-0101 FLIR E33
- 49001-2201 FLIR E40
- 49001-2001 FLIR E40 (incl. Wi-Fi)
- 49001-2401 FLIR E40bx (incl. Wi-Fi)
- 49001-2301 FLIR E50
- 49001-2101 FLIR E50 (incl. Wi-Fi)
- 49001-2501 FLIR E50bx (incl. Wi-Fi)
- 49001-1602 FLIR E60
- 49001-0602 FLIR E60 (incl. Wi-Fi)
- 49001-1002 FLIR E60bx (incl. Wi-Fi)
- 49001-2602 FLIR E63 (incl. Wi-Fi)
- 49001-0201 FLIR E65

Camera with Lens IR f=10 mm (45°)

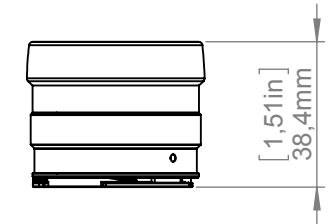
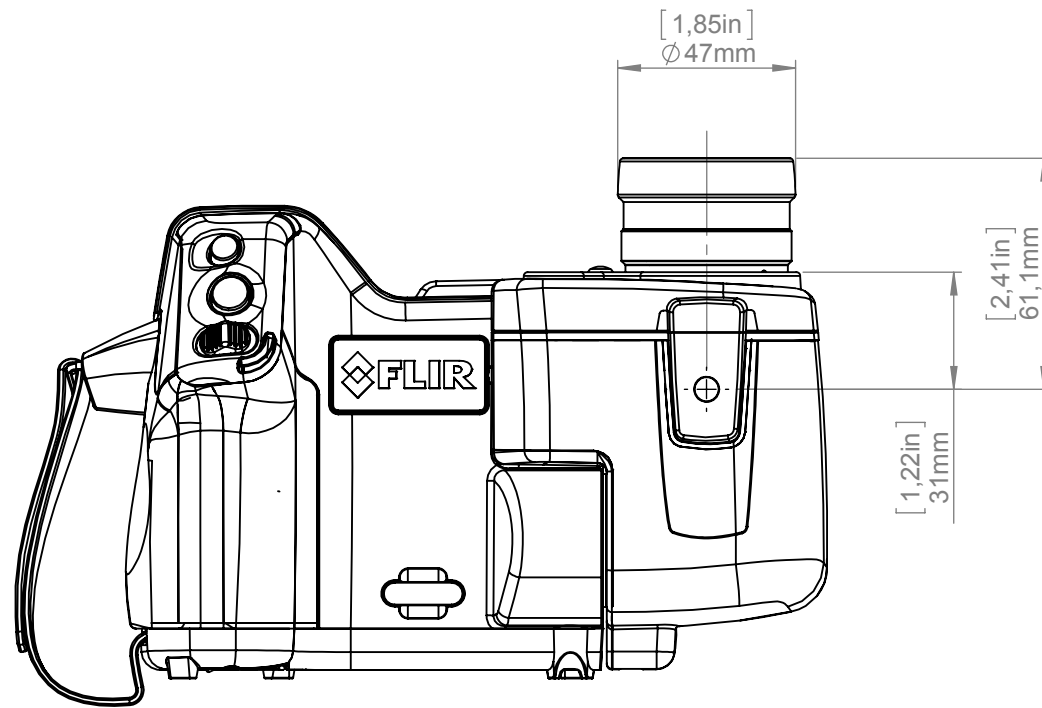
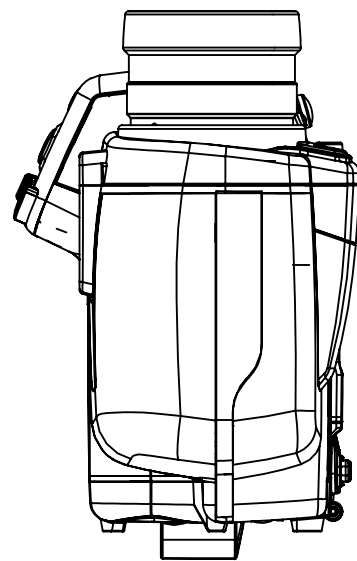
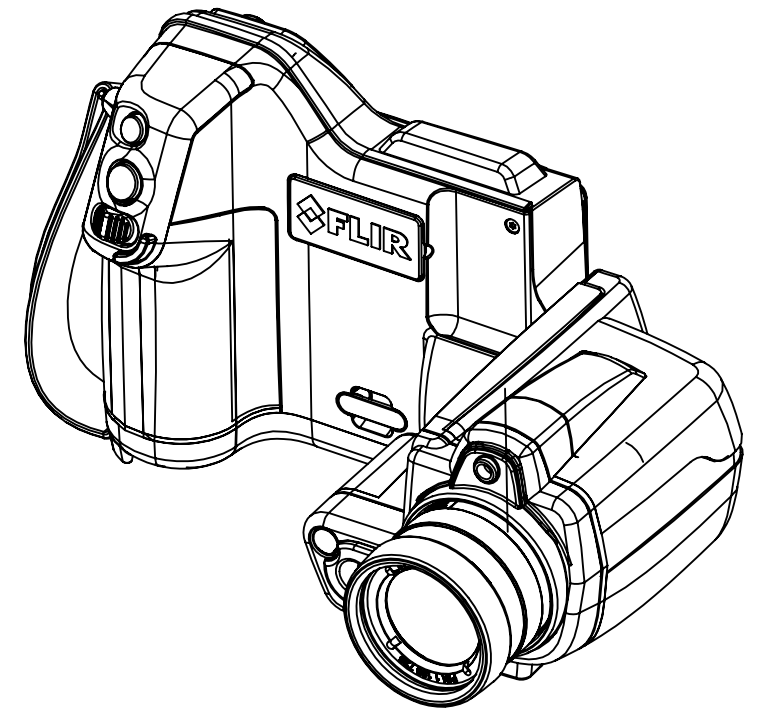
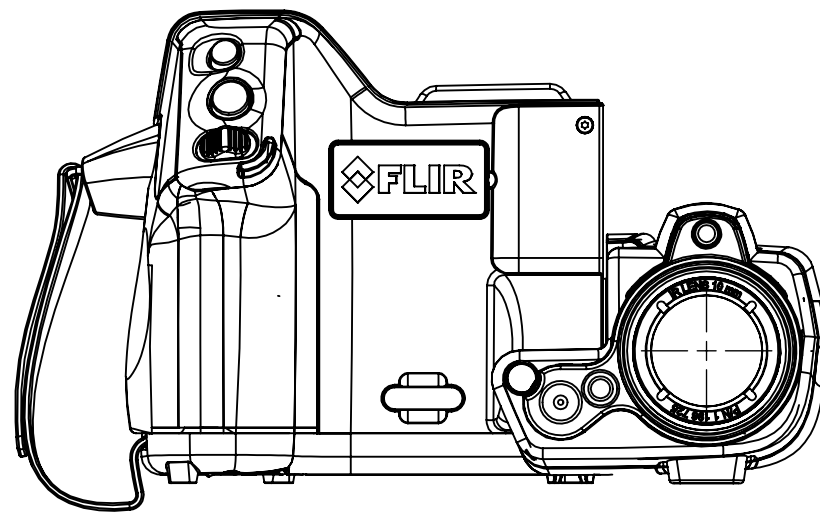
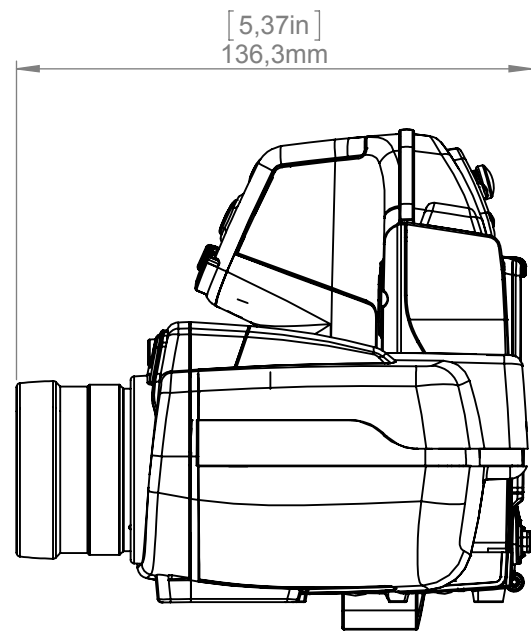


For additional dimensions see page 1

Modified 2012-04-18	Check CAHA	Drawn by R&D Thermography	
Denomination			
Basic dimensions FLIR Txxx/Bxxx			Scale 1:2
Drawing No. T197905			Sheet 3(7)
			Size B

© 2012 FLIR Systems, Inc. All rights reserved worldwide. No part of this drawing may be reproduced, stored in a retrieval system, or transmitted in any form, or by any means, electronic, mechanical, photocopying, recording, or otherwise without written permission from FLIR Systems, Inc. Specifications subject to change without further notice. Dimensional data is based on nominal values. Products may be subject to regional market considerations. License procedures may apply. Product may be subject to US Export Regulations. Please refer to exportquestions@flir.com with any questions. Diversion contrary to US law is prohibited.

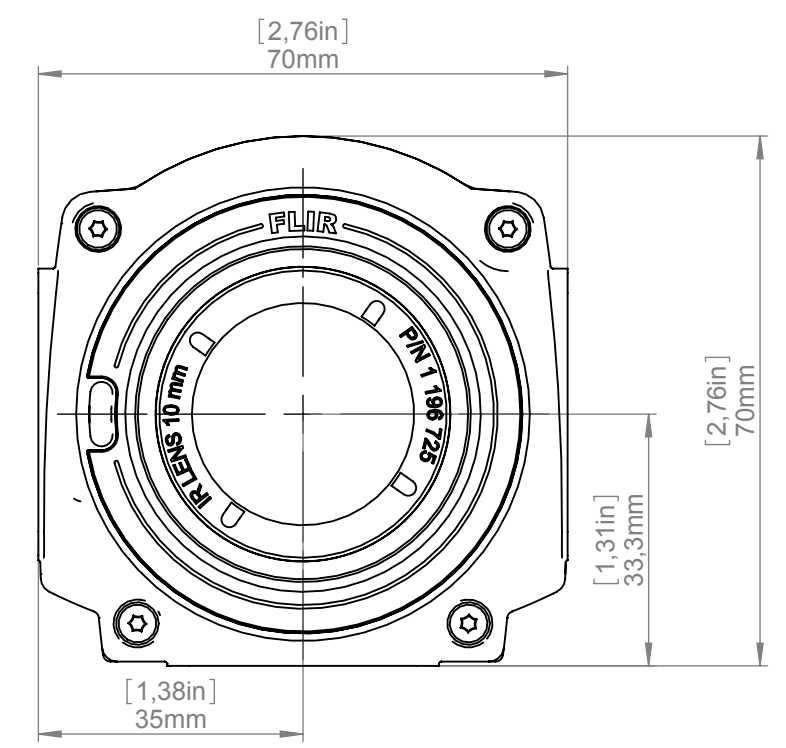
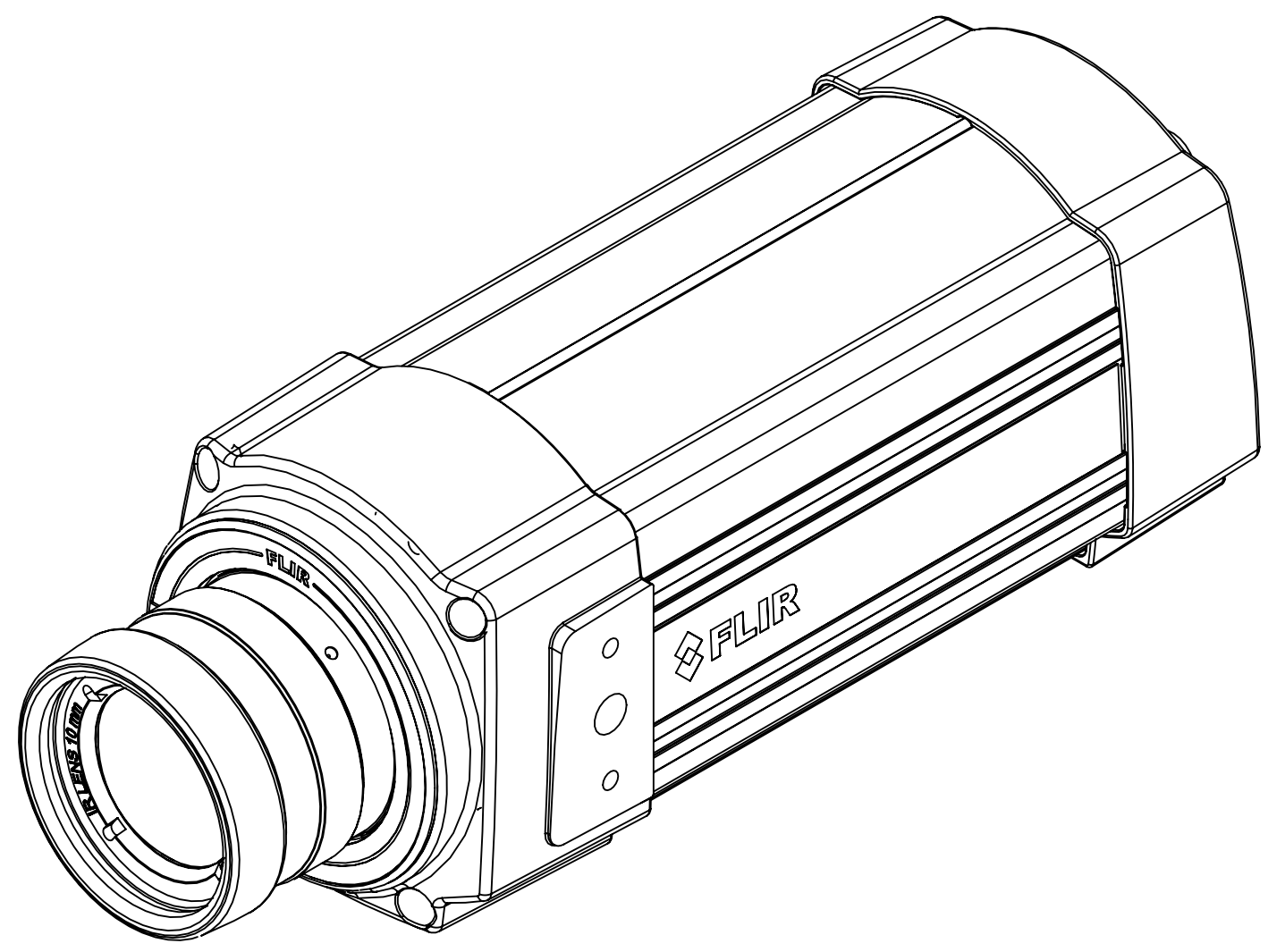
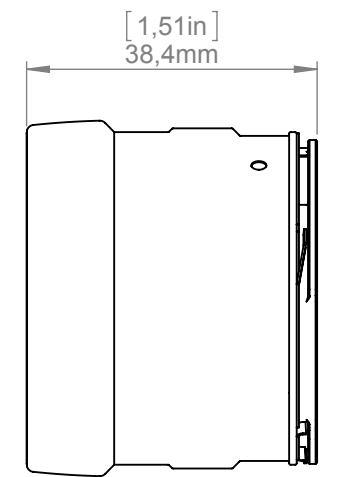
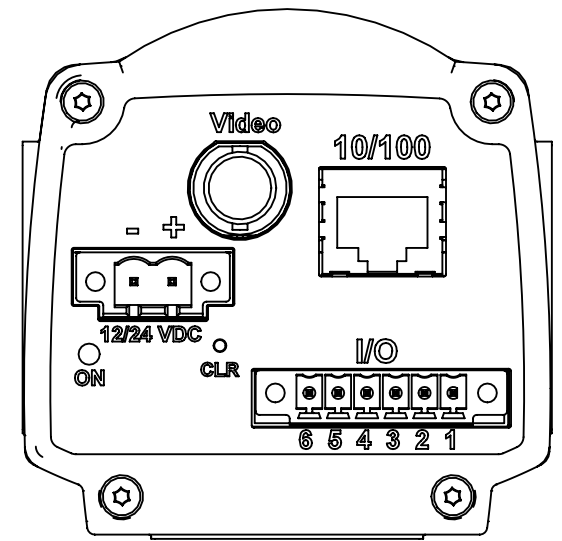
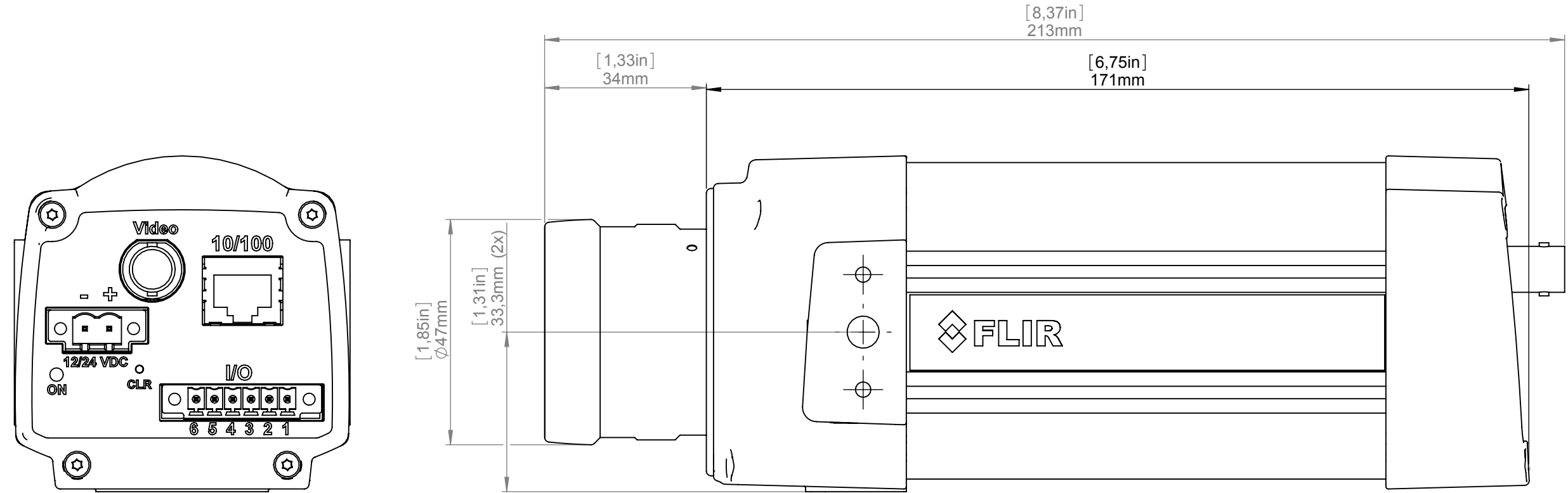
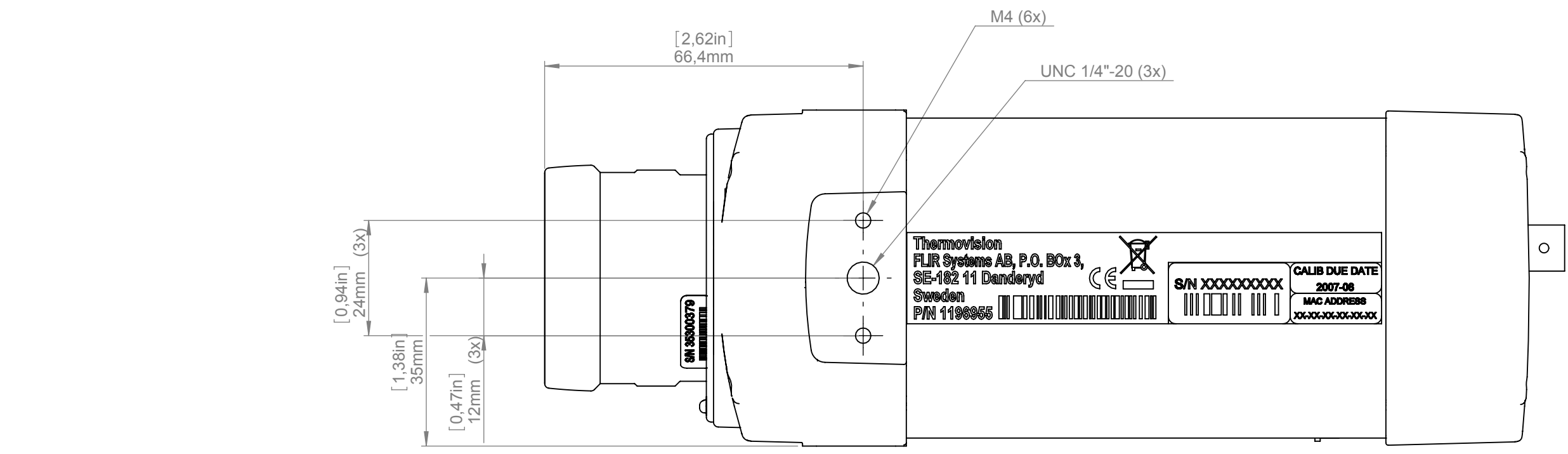
Camera with Lens IR f=10 mm (45°)



© 2012 FLIR Systems, Inc. All rights reserved worldwide. No part of this drawing may be reproduced, stored in a retrieval system, or transmitted in any form, or by any means, electronic, mechanical, photocopying, recording, or otherwise without written permission from FLIR Systems, Inc. Specifications subject to change without further notice. Dimensional data is based on nominal values. Products may be subject to regional market considerations. License procedures may apply. Product may be subject to US Export Regulations. Please refer to exportquestions@flir.com with any questions. Diversion contrary to US law is prohibited.

Modified 2012-06-07	Check JOTA	Drawn by R&D Thermography	
Denomination			
Basic Dimensions FLIR T4xx			Sheet 3(7) Size A

Camera with Lens IR f=10 mm (45°)

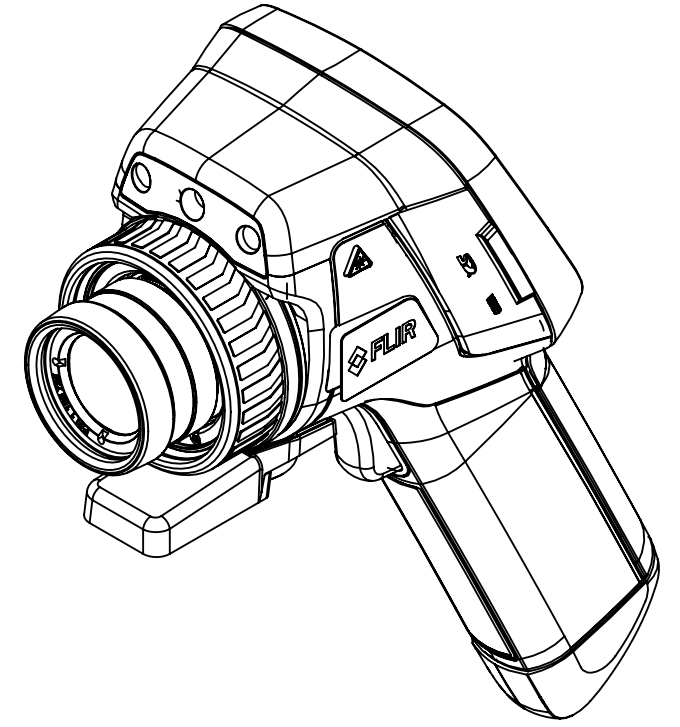
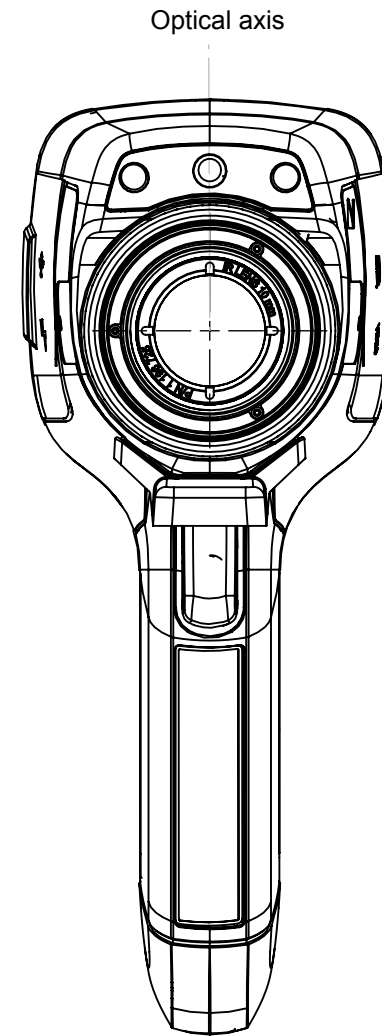
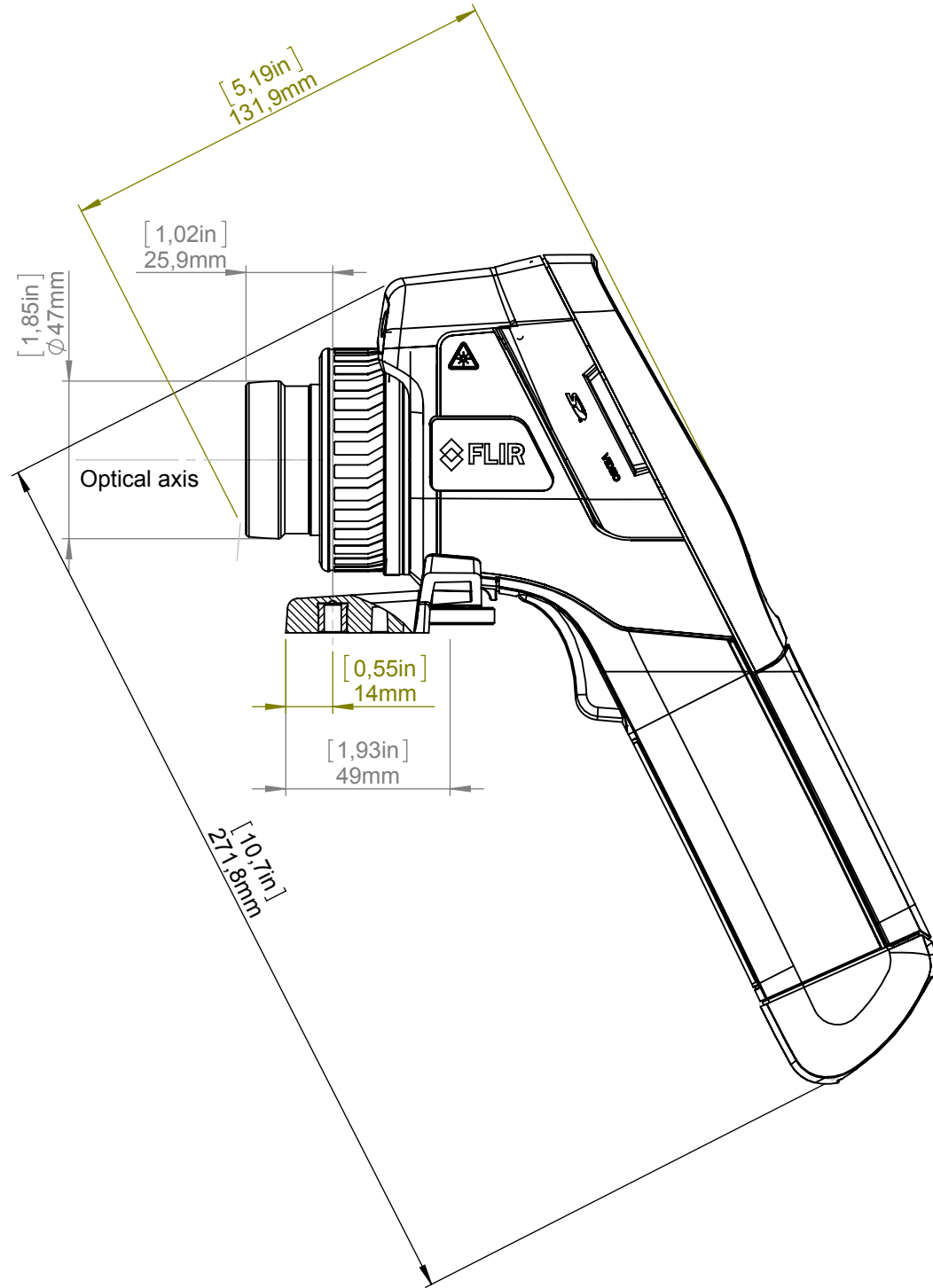
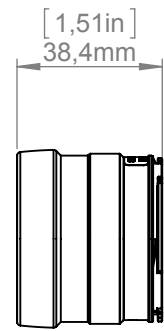


For additional dimensions see page 1

© 2012 FLIR Systems, Inc. All rights reserved worldwide. No part of this drawing may be reproduced, stored in a retrieval system, or transmitted in any form, or by any means, electronic, mechanical, photocopying, recording, or otherwise, without the prior written permission of FLIR Systems, Inc. Specifications subject to change without notice. Dimensions are in millimeters unless otherwise indicated. Dimensions in inches are for reference only. Product may be subject to US Export Regulations. Please refer to exportquestions@flir.com with any questions. Division contrary to US law is prohibited.

Modified 2012-04-18	Check CAHA	Drawn by R&D Thermography	Size A3		Sheet 3(8)
Denomination Basic dimensions FLIR A3xx/SC3xx			Scale 1:1		Sheet 3(8)
			Drawing No. T125002	Size A	

Camera with Lens IR f=10 mm (45°)



© 2012 FLIR Systems, Inc. All rights reserved worldwide. No part of this drawing may be reproduced, stored in a retrieval system, or transmitted in any form, or by any means, electronic, mechanical, photocopying, recording, or otherwise without written permission from FLIR Systems, Inc. Specifications subject to change without further notice. Dimensional data is based on nominal values. Products may be subject to regional market considerations. License procedures may apply. Product may be subject to US Export Regulations. Please refer to exportquestions@flir.com with any questions. Diversion contrary to US law is prohibited.

For additional dimensions see page 1

Modified 2012-04-18	Check CAHA	Drawn by R&D Thermography	
Denomination Basic dimensions FLIR Exx			
Drawing No. T126960			Sheet 2(4) Size A