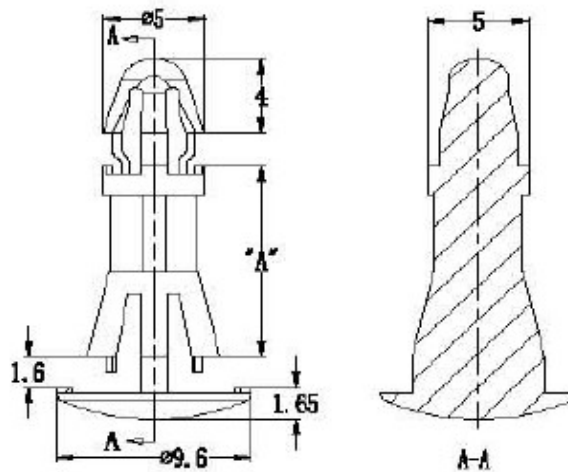




**FIX**  
*Fasten*

## FIXL CBSC-8-66

Top Hole Dia: 4.00mm  
 Bottom Hole Dia: 5.4mm  
 Panel Thickness: 1.6 mm



<b>Material: Nylon 66</b>	<b>Color: Natural</b>	<b>Standard Pack: 1000pcs/bag</b>
<b>Part No.</b>	<b>„A”± 0.4mm</b>	
<b>FIXL CBSC-8-66</b>	<b>A: 8 mm</b>	