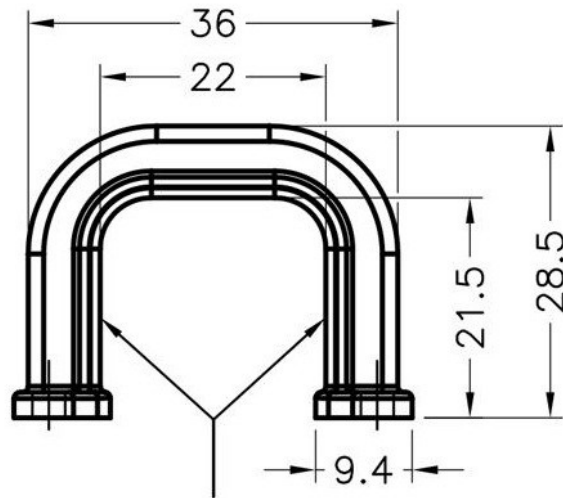


FIX-HANU-73



MATERIAL: NYLON (UL)
FLAME CLASS: 94-HB
COLOUR: BLACK
UNIT: mm



Shrinking is normal status

