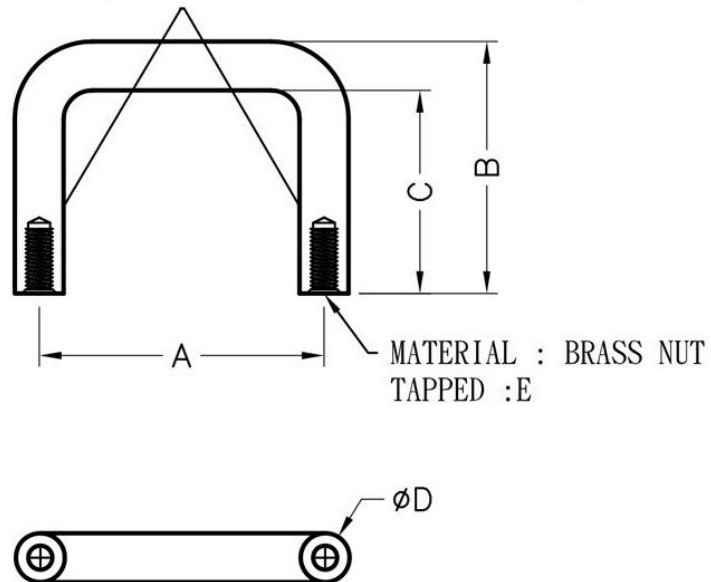


FIX-HANU-30PVB



MATERIAL: PC(UL)  
FLAME CLASS: 94V-2  
COLOUR: BLACK  
UNIT: mm

Shrinking is normal status



PART NO	A	B	C	D	E
FIX-HANU-30PVB	30	25	19,5	5,5	M3X0,5P