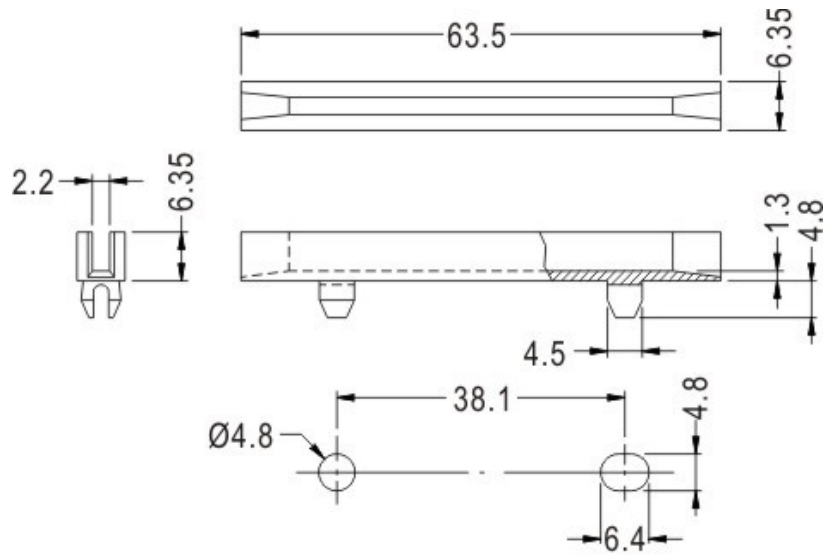


- ◆ MATERIAL: NYLON 66 (UL)
- ◆ FLAME CLASS: 94V-2/94V-0
- ◆ COLOR: BLACK/WHITE
- ◆ UNIT: mm

PART NO	PACKAGE
BCG-250	500



MOUNTING HOLES